



Apple Manuals Apple][Pascal



Macintosh



SwyftCard



Canon Cat

Jef Raskin Information

DOCUMENT TITLE

CAT REPAIR MANUAL

SOURCE

*DAVID T. CRAIG HAS AN
ORIGINAL COPY TOO.*

DOCUMENT NO. *62*

*EX LIBRIS
DAVID T. CRAIG
736 EDGEWATER, WICHITA KS 67230 USA
E-MAIL: 71533.606@COMPUSERVE.COM*



Apple Manuals Apple][Pascal



Macintosh



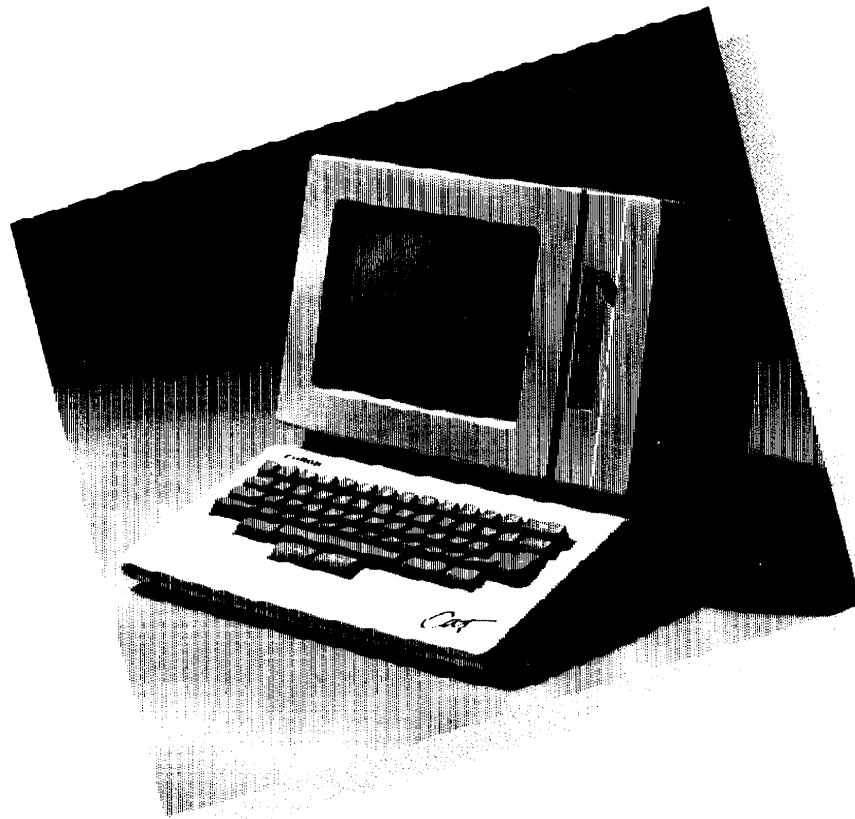
SwyftCard



Canon Cat

IAI / JEF RASKIN INFORMATION

Canon Cat Computer Repair Manual



Canon *Cat*
The Advanced WORK Processor

Canon *Cat*
The Advanced WORK Processor

WORKSHOP MANUAL

Canon

JULY 1987

NY8-1360-000

COPYRIGHT © 1987 CANON INC. CANON Cat REV.0 JULY 1987 PRINTED IN JAPAN (IMPRIME AU JAPON)

"RaskinDoc062_0-01.PICT" 142 KB 2000-02-25 dpi: 400h x 400v pix: 1999h x 3159v

TABLE OF CONTENTS

CHAPTER 1 GENERAL

	Page		Page
1-1. Specifications	1-1	1-4. Block Diagram	1-4
1-2. Overview	1-2	1-5. Block Diagram Description	1-5
1-3. System Overview	1-3	1-6. Connector Layout	1-9

CHAPTER 2 THEORY

2-1. Address Map	2-1	2-3. Circuit Description	2-4
2-2. Initial Flochart	2-2		

CHAPTER 3 REPAIR

3-1. μ FDD Unit	3-1	3-4. CPU PCB Unit.....	3-35
3-2. CRT/Power Supply Unit (MATSUSHITA).....	3-17	3-5. Keyboard Unit.....	3-44
3-3. CRT/Power Supply Unit (GOLDSTAR).....	3-25		

CHAPTER 4 CHECK OPERATION

4-1. Program Name	4-1	4-4. Check Points for OK Results.....	4-9
4-2. Check Range/Specification	4-2	4-5. Concrete Examples of NG Results..	4-12
4-3. Operation	4-4	4-6. ROM Check Sum Table	4-20

PARTS CATALOG

	Page		Page
How to Use Parts List	i ~ ii	C-12. Keytops	
A. Assembly Location Diagram	A-1	(DENMARK)	C-29 ~ C-30
B. Assemblies	B-1 ~ B-2	C-13. Keytops (SWEDEN/ FINLAND)	C-31 ~ C-32
C-1. CPU PCB Unit	C-1 ~ C-6	C-14. Keytops	
C-2. CRT/Power Supply Unit		(NETHERLANDS)	C-33 ~ C-34
(MATSUSHITA)	C-7 ~ C-8	C-15. Keytops	
C-3. Power Supply Unit	C-9 ~ C-10	(W. GERMANY)	C-35 ~ C-36
C-4. CRT/Power Supply Unit		C-16. Keytops	
(GOLDSTAR)	C-11 ~ C-12	(SWITZERLAND)	C-37 ~ C-38
C-5. CRT/Power Supply		C-17. Keytops (FRANCE)	C-39 ~ C-40
PCB Assembly	C-13 ~ C-16	C-18. Keytops (U.K.)	C-41 ~ C-42
C-6. MICRO FDD Unit	C-17 ~ C-18	C-19. Keytops (SPAIN)	C-43 ~ C-44
C-7. Keyboard Unit	C-19 ~ C-20	C-20. Keytops (ITALY)	C-45 ~ C-46
C-8. Keytops (USA/CANADA/ASIA/ OCEANIA)	C-21 ~ C-22	C-21. Keytops (S.AFRICA)	C-47 ~ C-48
C-9. Keytops (QUEBEC)	C-23 ~ C-24	C-22. Keytops (JAPAN)	C-49 ~ C-50
C-10. Keytops (LATIN)	C-25 ~ C-26	D. Screws	D,E-1
C-11. Keytops		E. Tools	D,E-1
(NORWAY)	C-27 ~ C-28	F. Numerical Index	F-1 ~ F-24

CHAPTER 1

GENERAL

	Page		Page
1-1. Specifications	1-1	1-4. Block Diagram	1-4
1-2. Overview	1-2	1-5. Block Diagram Description	1-5
1-3. System Overview	1-3	1-6. Connector Layout.....	1-9

1. GENERAL

1-1. Specifications

SYSTEM CONFIGURATION

Standard Configuration: CRT + Keyboard + Micro FDD
 Memory: 256K
 Floppy Disk: 3.5" single-sided, double-density, double-track
 Disk Capacity: 240K (text: 180K, about 80 pages)

DISPLAY

Screen Size and Type: 9" CRT
 Color: Black-on-white
 Format and Capacity: 24 lines by 80 characters (344 by 640 dot)
 Underline Display: Standard
 Centering Display: Standard
 Cursor Position: LEAP, CREEP, SCROLL UP/DOWN

KEYBOARD

Number of Keys: 59 (U.S.A) to 61
 Entry System: N-key rollover
 Keytop: Concave, step sculpture

GENERAL FEATURES

Line Spacing: 1, 1-1/2, 2

FUNCTIONS

Cursor Movement
 Leap Forward
 Leap Backward
 Leap Again
 Local/Global Leap
 Leap-Erase
 Creep Forward
 Creep Backward
 Screen Scroll-Leap

Typing and Erasing
 Automatic Page Break
 Keyboard I and II
 Shift Lock
 Erase Forward
 Erase Backward

Editing
 Decimal Tab
 Centering, margins, tabs
 Automatic Reformatting
 Block Move
 Block Copy
 Block Erase
 Document Lock
 Indent

SOFTWARE

FORTH

POWER SUPPLY

100, 120, 230V 50/60Hz

OPERATION ENVIRONMENT

Temperature: 10°C to 35°C (50°F to 95°F)
 Humidity: 20% to 80%

DIMENTIONS

In millimeters: 342(W)×264(H)×510(D)
 In inches: 13.5(W)×10.4(H)×20.1(D)

WEIGHT

9.2 Kg (20.3 lbs)

Subject to change without notice.

1-2. Overview

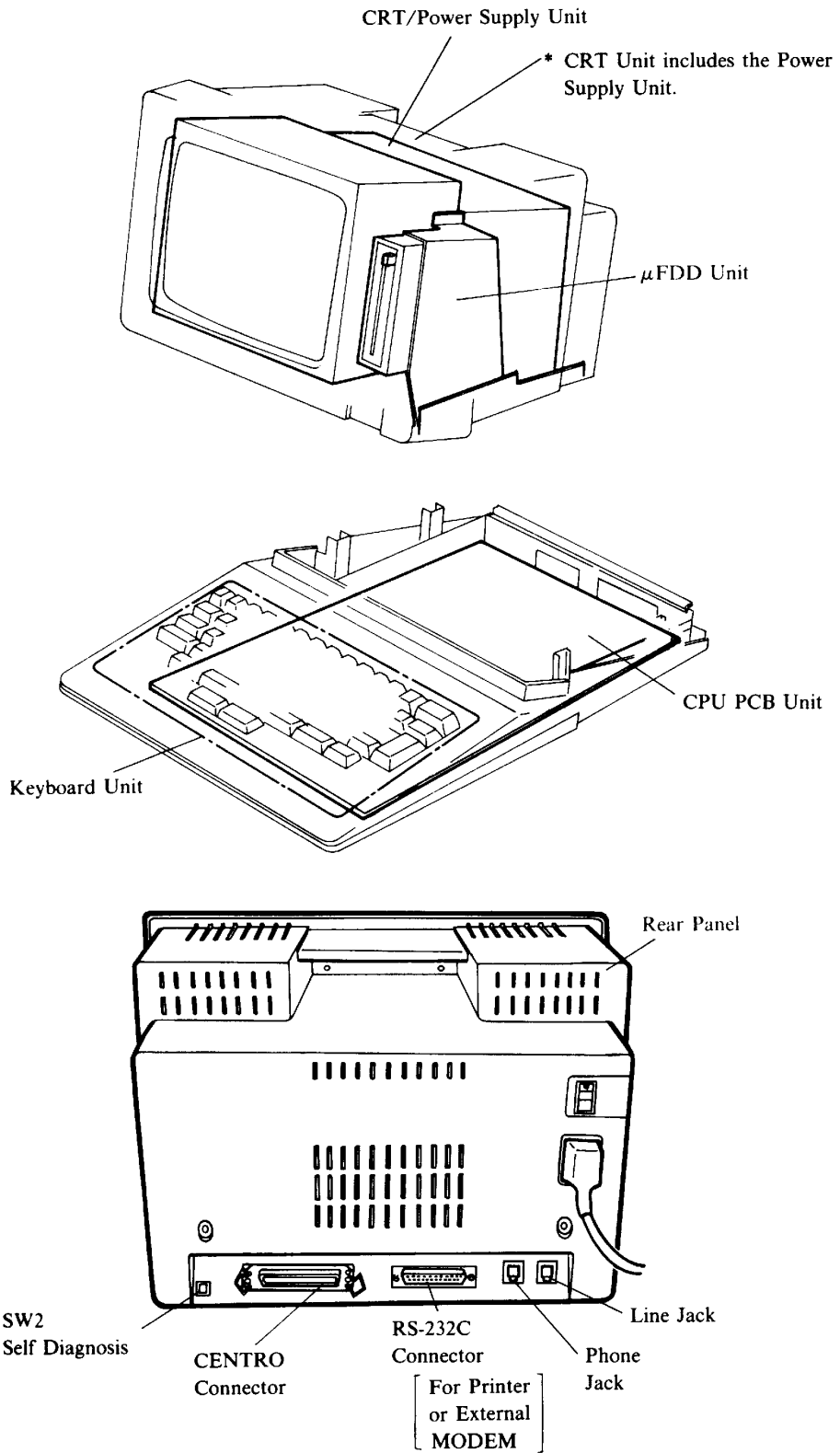


Fig. 1-1

1-3. System Overview

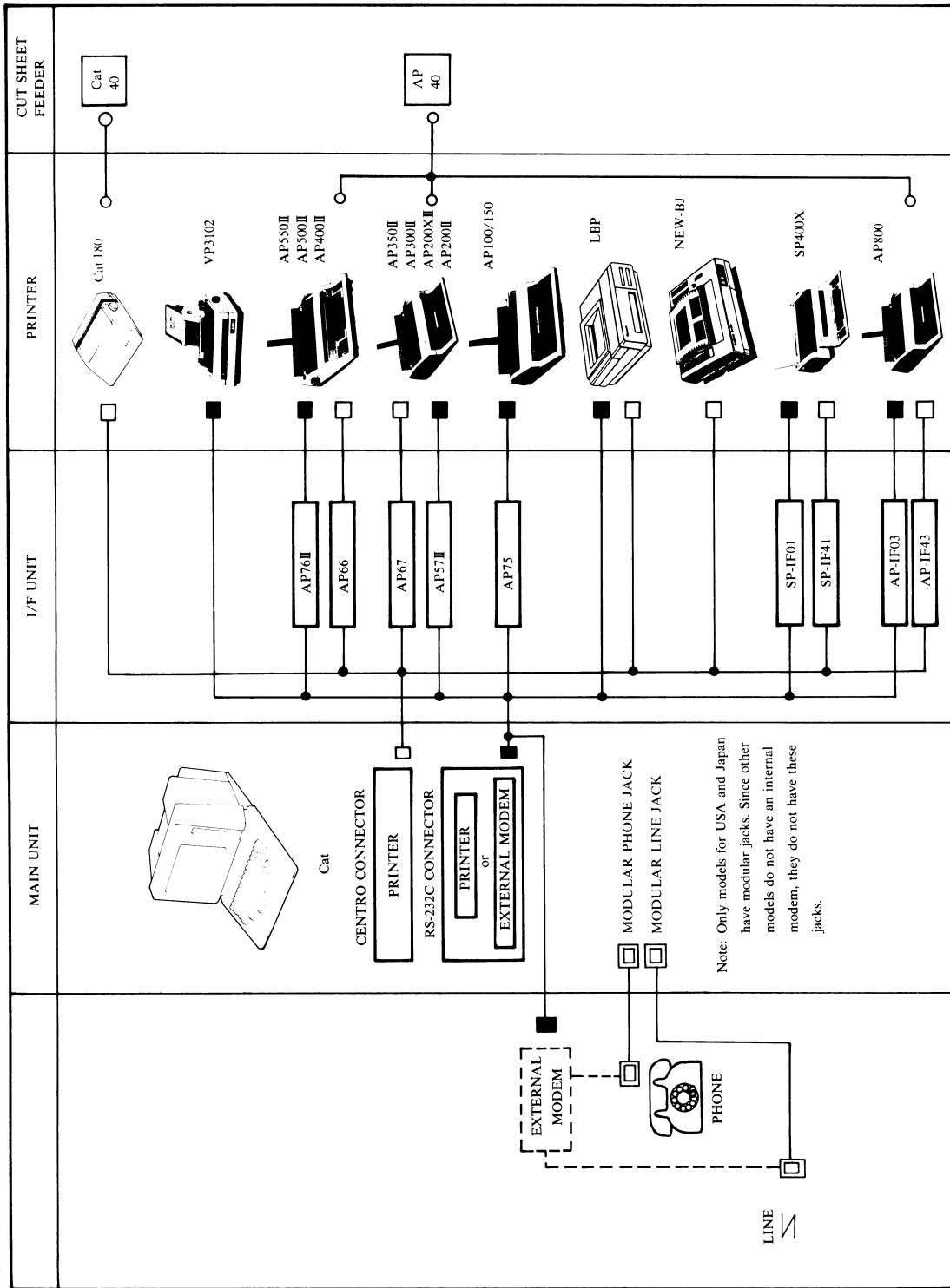


Fig. 1-2

1-4. Block Diagram

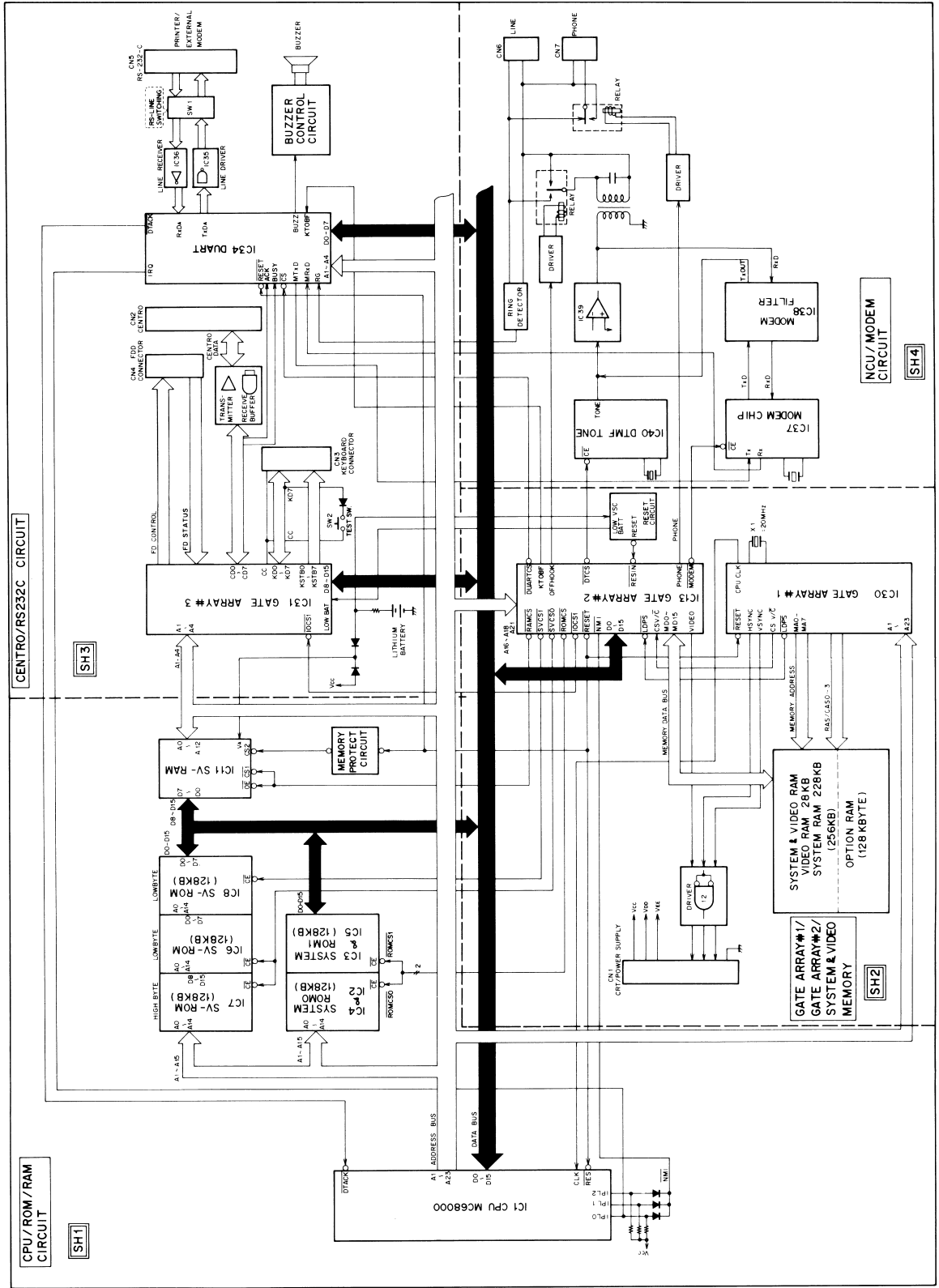


Fig. 1-3

1-5. Block Diagram Description

Block	LSI Name	Function																																														
CPU/ROM/ RAM	CPU MC68000	<p>16 bit microprocessor CPU Clock: 5 MHz Address bus: A1 ~ A23 (A19 and A20 not used) Data bus: D0 ~ D15 The CPU controls the entire system. It responds to the following two interrupts:</p> <ol style="list-style-type: none"> 1. NMI: CPU operation is monitored by gate array #2. If the CPU operates abnormally, gate array #2 resets the entire system. 2. IPL0: Inputs IRQ from DUART. (For more information, see the DUART item.) <p>If a key input is not received within a certain time, the CPU saves the contents of the system RAM to disk and turns off the screen. (When a key is pressed, the screen is turned on and text is displayed.)</p>																																														
	System ROM	<p>The contents of the system ROM (256 KBYTES) are shown below.</p> <ol style="list-style-type: none"> 1. System Program 2. Self Diagnosis Program 3. Keyboard code table/CG 																																														
	SV-ROM	<p>The SV-ROM is provided for the spelling check. When the spelling check is performed, it functions as a dictionary. (The SV-ROM is not available for some countries.) The names of the dictionaries used and the availability of the SV-ROM is shown below.</p> <p>1. ROM <input type="radio"/>: Yes</p> <table border="1"> <thead> <tr> <th>PARTS NO.</th> <th>IC6</th> <th>IC7</th> <th>IC8</th> <th>COUNTRY</th> </tr> </thead> <tbody> <tr> <td>NH7-0684</td> <td><input type="radio"/></td> <td>—</td> <td>—</td> <td>USA, JAPAN</td> </tr> <tr> <td>NH7-0724</td> <td><input type="radio"/></td> <td>—</td> <td>—</td> <td>U.K., OCEANIA</td> </tr> <tr> <td>NH7-0813</td> <td><input type="radio"/></td> <td>—</td> <td>—</td> <td rowspan="2">QUEBEC, FRANCE</td> </tr> <tr> <td>NH7-0814</td> <td>—</td> <td><input type="radio"/></td> <td>—</td> </tr> <tr> <td>NH7-1019</td> <td><input type="radio"/></td> <td>—</td> <td>—</td> <td rowspan="3">W. GERMANY</td> </tr> <tr> <td>NH7-1020</td> <td>—</td> <td><input type="radio"/></td> <td>—</td> </tr> <tr> <td>NH7-1021</td> <td>—</td> <td>—</td> <td><input type="radio"/></td> </tr> </tbody> </table> <p>2. Dictionary name</p> <table border="1"> <thead> <tr> <th>DICTIONARY</th> <th>COUNTRY</th> </tr> </thead> <tbody> <tr> <td>American Heritage</td> <td>USA, JAPAN</td> </tr> <tr> <td>American Heritage (British)</td> <td>U.K., OCEANIA</td> </tr> <tr> <td>Librairie Larousse</td> <td>QUEBEC, FRANCE</td> </tr> <tr> <td>Langenscheidt</td> <td>W. GERMANY</td> </tr> </tbody> </table>	PARTS NO.	IC6	IC7	IC8	COUNTRY	NH7-0684	<input type="radio"/>	—	—	USA, JAPAN	NH7-0724	<input type="radio"/>	—	—	U.K., OCEANIA	NH7-0813	<input type="radio"/>	—	—	QUEBEC, FRANCE	NH7-0814	—	<input type="radio"/>	—	NH7-1019	<input type="radio"/>	—	—	W. GERMANY	NH7-1020	—	<input type="radio"/>	—	NH7-1021	—	—	<input type="radio"/>	DICTIONARY	COUNTRY	American Heritage	USA, JAPAN	American Heritage (British)	U.K., OCEANIA	Librairie Larousse	QUEBEC, FRANCE	Langenscheidt
PARTS NO.	IC6	IC7	IC8	COUNTRY																																												
NH7-0684	<input type="radio"/>	—	—	USA, JAPAN																																												
NH7-0724	<input type="radio"/>	—	—	U.K., OCEANIA																																												
NH7-0813	<input type="radio"/>	—	—	QUEBEC, FRANCE																																												
NH7-0814	—	<input type="radio"/>	—																																													
NH7-1019	<input type="radio"/>	—	—	W. GERMANY																																												
NH7-1020	—	<input type="radio"/>	—																																													
NH7-1021	—	—	<input type="radio"/>																																													
DICTIONARY	COUNTRY																																															
American Heritage	USA, JAPAN																																															
American Heritage (British)	U.K., OCEANIA																																															
Librairie Larousse	QUEBEC, FRANCE																																															
Langenscheidt	W. GERMANY																																															

1-5. Block Diagram Description

Block	LSI Name	Function
CPU/ROM/ RAM	SV-RAM	<p>The SV-RAM (8 KBytes) is used to store a personal dictionary and the setup screen information. This personal dictionary and setup screen information are backed-up by a lithium battery.</p> <p>Personal dictionary: Dictionary registered by the user. It is used in the spelling check.</p> <p>Setup screen: Includes the setup data for the printer, modem, and other devices.</p>
	Memory Protect Circuit	This circuit protects the contents of the SV-RAM when the power is turned on and off and when the +5V supply is unstable.
Gate Array #1 & #2/RAM	System & Video RAM	<p>The system & video RAM consists of eight 4-bit D-RAMs. (256 KBytes standard) An optional RAM (128 KBytes) can be added. These RAMs are for video and system use.</p> <ol style="list-style-type: none"> 1. Video RAM: Stores the CG-pattern for CRT display. 2. System RAM: Used to store the user Text, or for system operation.
	Gate Array #1	<p>Gate Array #1 has the following functions:</p> <ol style="list-style-type: none"> 1. CPU clock generator Divides a clock signal of approximately 20 MHz by four and outputs a 5 MHz CPU clock signal. 2. CRT sync signal generation HSYNC and VSYNC output. 3. Memory control signal generation Outputs the memory address, RAS, CAS, and WE signals and controls the system & video RAM. Also shows if the data output from memory is video data or CPU data. Outputs the CS V/C signal to Gate Array #2.

1-5. Block Diagram Description

Block	LSI Name	Function
Gate Array #1 & #2/RAM	Gate Array #2	Gate Array #2 has the following functions: <ol style="list-style-type: none"> 1. Decoder Outputs the I/O LSI and memory IC decode signals. 2. Video signal generation The CS V/C signal multiplexes the read data from memory with the CPU data and video data. The video data is then converted by the LDPS signal from parallel to serial data and output to the CRT unit. 3. Relay control signal The relays at the NCU are controlled as follows: <ol style="list-style-type: none"> ① After a telephone ring is detected, the telephone line is connected to the main unit circuit by the OFF HOOK signal. (The line and telephone are still connected.) ② Next, the telephone and telephone line are disconnected by the Phone signal. (Only the telephone line is connected.) 4. Reset signal delay control RESIN signal is output after a delay of 0.7 ms.
CENTRO & RS-232C	Gate Array #3	Gate Array #3 has the following functions: <ol style="list-style-type: none"> 1. CENTRONICS printer interface 2. Keyboard interface <ol style="list-style-type: none"> (1) The CPU stores key data by scanning the keyboard at 6.5 ms intervals. The DUART produces the key scan interval time. (2) CC: Check code strobe After the power switch is turned on, the signal level is lowered and the status of bit D7 is checked. If it is on, self diagnosis is performed. 3. Low Battery Detector The Reset IC monitors the lithium battery, and when low BAT = high, a battery mark is displayed on the ruler line. 4. FDD Controller <ol style="list-style-type: none"> (1) Outputs the signal which drives the FDD and reads the FDD status. (2) Separates the read data from the FDD into clock bits and data bits. Note: The CPU controls data transfer between the FDD and system RAM. At this time, the CPU inhibits all interruptions.

1-5. Block Diagram Description

Block	LSI Name	Function
CENTRO & RS-232C	DUART	<p>The DUART has the following functions:</p> <ol style="list-style-type: none"> 1. The DUART has two ports. One port is for the internal modem and the other port is for the external modem or printer. (External modem or printer is selected by setup screen.) 2. Buzzer control 3. The DUART outputs IRQ to the CPU under the following two conditions: <ol style="list-style-type: none"> ① When the CPU key-scan timing signal is generated by the internal counter of Gate Array #2. TOBF is output to DUART every 6.5 ms. and DUART outputs IRQ to the CPU. ② When a telephone ring is automatically detected by the main unit...
Modem & NCU	Modem Chip	This IC is a single chip modem which complies with Bell 212A and CCITT V.22 standards. It has a 1200bps PSK modem and fall back mode 300bps FSL modem functions.
	Modem Filter	The filter specifications conform to the Bell 212A and CCITT V.22 standards.
	DTMF Tone Generator	This LSI outputs a dial tone to the telephone line without the use of a telephone set when automatic dialing is performed.
	<p>These LSIs and circuits are installed in models with internal modems. Only the U.S.A, ASIA, QUEBEC, OCEANIA, and JAPAN have modem models with internal specifications. External modem specifications apply to other countries.</p>	

1-6. Connector Layout

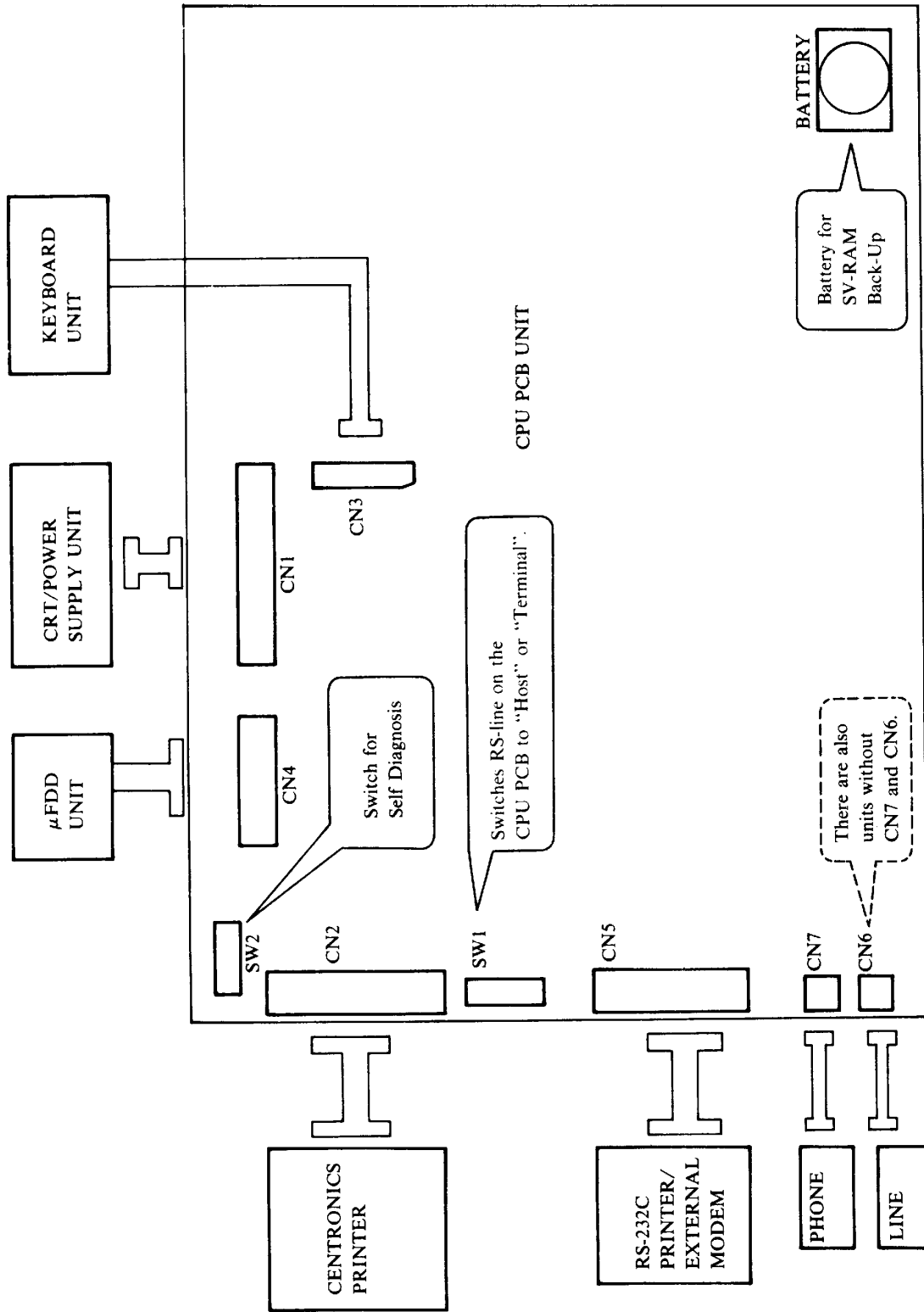


Fig. 1-4

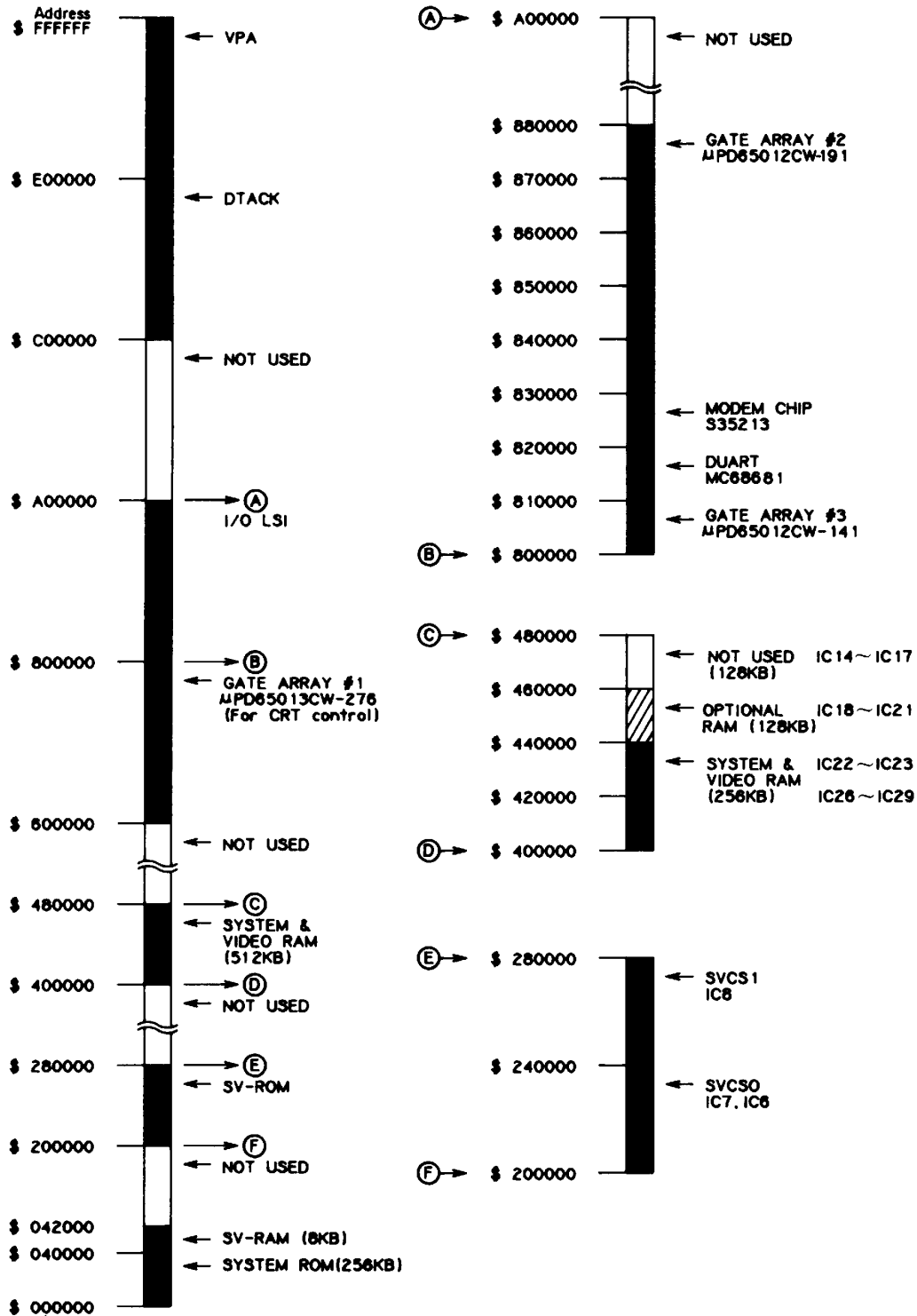
CHAPTER 2

THEORY

	Page		Page
2-1. Address Map	2-1	2-3. Circuit Description	2-4
2-2. Initial Flowchart.....	2-2		

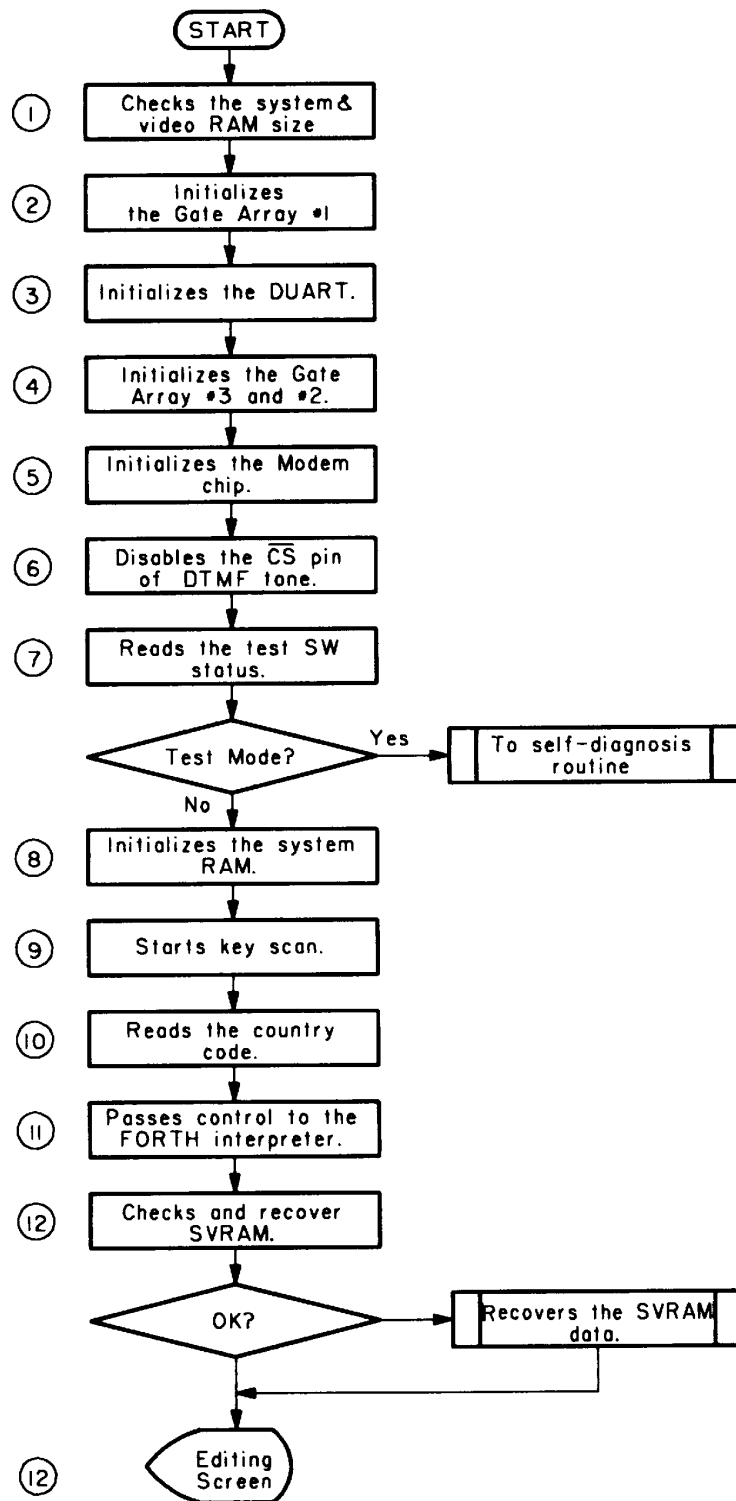
2. THEORY

2-1. Memory Map



2-2. Initial Flowchart

1. Flowchart



2-2. Initial Flowchart

2. Flowchart Description

- ① There are 512K bytes of space allocated for the System & Video RAM. However, this machine only uses a maximum of 384K bytes for the System & Video RAM. An R/W check is done for every 128 K bytes of this area, and the RAM size is checked.
(Only addresses \$ 400000, \$ 420000, \$ 440000, and \$ 460000 are checked.)
- ② Gate Array #1 has a register for control of the CRT. Initialize the screen size, H and V SYNC signals, and screen off registers.
- ③ DUART has two kinds of registers for control of two RS-port.
Initializes these registers.
- ④ ● Gate Array #3 has one register for control of the drive R/W and one keyboard key strobe register.
Initializes these registers.
● Gate Array #2 has registers for control of the timer, video signals and etc.
Turns off Output Enable for the Video signal and turns off the Off Hook signal.
- ⑤ The modem chip operates on the basis of 29 commands. Sets the phase synchronization for the internal PLL circuit and set the pin state of modem chip. (The TxD and RxD pins are high impedance.)
- ⑥ Disables the \overline{CS} signal for DTMF tone.
- ⑦ Reads the test switch status. If D7 is low, jump to the self-diagnosis routine.
- ⑧ Initializes the system & Video RAM.
- ⑨ Starts the key scan.
- ⑩ Reads the country code.
- ⑪ Enters the FORTH execution mode. FORTH performs initialization.
- ⑫ Setup screen information and the user dictionary are stored in SV-RAM. A sum check is performed for the setup screen information. If the values are unequal, the default value is set according to the country code.

The user dictionary is checked in the same way.
If an error is detected, the dictionary is cleared.
- ⑬ Displays the editing screen.

2-3. Circuit Description

1. CPU PCB Unit

(1) Operation Outline

Operation of CPU and peripheral equipment after initialization is shown below. (Refer to the block diagram description for an outline of each element)

- ① When a key is input.
 - CPU gets and processes keydata at intervals of 6.5 ms.
 - ①-1. The Gate Array #2 has a timer to count the key strobe interval time.
 - ①-2. The KTOBF signal is outputted to the DUART when the count is full count. (The KTOBF: 6.5 ms period)
 - ①-3. Upon detection of the KTOBF signal, the DUART outputs IRQ signal (6.5 ms period) to the CPU.
 - ①-4. After receiving the IRQ, the CPU outputs keystrobe data to Gate Array #3 to get key codes from the keyboard.
 - ①-5. CPU arranges the codes with a keytable according to the country code and convert them into the system code (like ASCII code).
 - ①-6. CPU stores the codes into the text area in the SYS & video RAM, reads their character-pattern from the CG area in SYS ROM, and saves it into the video area into the SYS & video RAM.
 - ①-7. Read and write timing for these data are controlled by Gate Array #1.
 - ①-8. Gate Array #2 reads the video data and converts it from parallel to serial with the LDPS signal and outputs the video data to the CRT.

② When you set the setup screen.

The CPU stores two kinds of information in SV-RAM.

- { 1. Setup information
- { 2. Personal dictionary

Whenever write the data, the CPU checks PFAIL bit. If PFAIL bit is on, the CPU stops to write the SV-RAM's data. If it is off, the CPU writes it into the SV-RAM. (PFAIL bit is set when the +5V is instable.)

③ Text save

FDC is built in the Gate Array #3. Read/Write of μ FDD is controlled by this LSI. When saving Text on the disk, the CPU saves system RAM data (includes text) and SV-RAM data on the disk. The data is saved separately in the disk text area and SV-RAM area.

④ Text call

- ④-1. Text data and SV-RAM data are loaded together if user set load setup or spelling from the disk at the setup screen when loading Text data from disk to System RAM.
- ④-2. The read data signal from the μ FDD is separated into its components signals, clock bit and data by Gate Array #3.

⑤ When you leave from keyboard:

If the screen blanking time is not set to "Never" in the setup screen, text data is automatically saved to disk by stopping key input for the established time.

If CPU doesn't get key data for three consecutive scans, the screen-off count begins from this point. If any key input is indicated before count end, the counter is cleared.

If count is full count, the CPU inhibits all interruptions and text data is transferred to FDD. Then the video signal goes high and the picture is turned off (The system and video RAM information remains as is. In this state, the Video signal does not function but other signals continue to operate.)

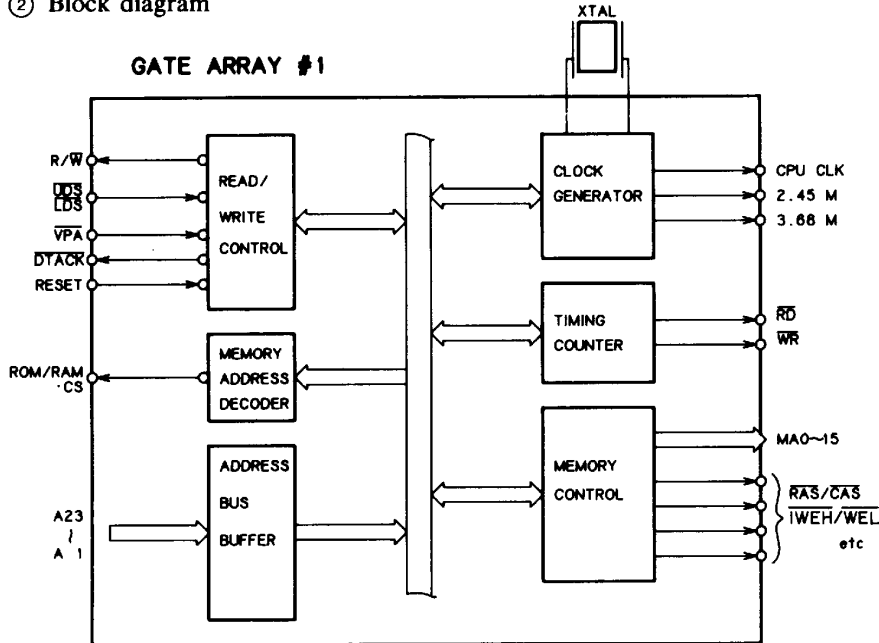
2-3. Circuit Description

- ⑥ For communications (The example is for Automatic answering.)
 - ⑥-1. The telephone set is connected with an exchange through CN7 and CN6 during standby. In this case, DC-48V voltage is applied between 3 and 4 pin of CN 6.
 - ⑥-2. The calling indicator signal is input to the telephone set from the exchange. The signal also makes the telephone set ring.
(Calling indicator signal : 16 Hz, 75 V ring tone signal)
 - ⑥-3. DC element is removed from the calling indicator signal by C57, and only the AC signal is applied to PC1.
The signal then appears on the RG-line.
 - ⑥-4. The RG signal is connected to DUART pin 2.
The level is periodically checked by the CPU. If there are variations in the signal level, the CPU counts the number of low levels (the number of rings).
When this value becomes equal to the number of rings, auto answering is done.
 - ⑥-5. Turn on the OFF-Hook signal and switch relay K2 to the NCU side. (For auto answering, leave relay K1 as is.
For manual answering, turn on the phone signal and disconnect the telephone set line from the mainframe circuit.)
 - ⑥-6. A DC-current loop is then established between the exchange and T1 (1-2).
 - ⑥-7. The DC element is removed by T1 and the carrier is transferred between 4 and 3. It is then converted by R38 and input to Filter IC38.
 - ⑥-8. IC38 has two Op Amps. One is for the sending carrier, and one is for the receiving carrier. This IC splits the receiving carrier from the sending carrier, amplifies it, and inputs it to RxIN.
 - ⑥-9. IC 38 also has two filters. The modem chip sets the answer mode for these filters. (The low filter is used for receiving ; the high filter is used for sending.)
The carrier is output from RxOUT via the low filter.
 - ⑥-10. The modem chip judges whether the carrier is FSK or PSK. The CPU reads the modem chip status to obtain the result of this judgement.
 - ⑥-11. The carrier is then demodulated by the modem, and the serial data is output to DUART.
 - ⑥-12. DUART converts the serial data from serial to parallel.
The data is then stored in the system & Video RAM.

2-3. Circuit Description

(2) Gate Array #1

- ① Function description
(Refer to Page 1-6)
- ② Block diagram



③ Signal description

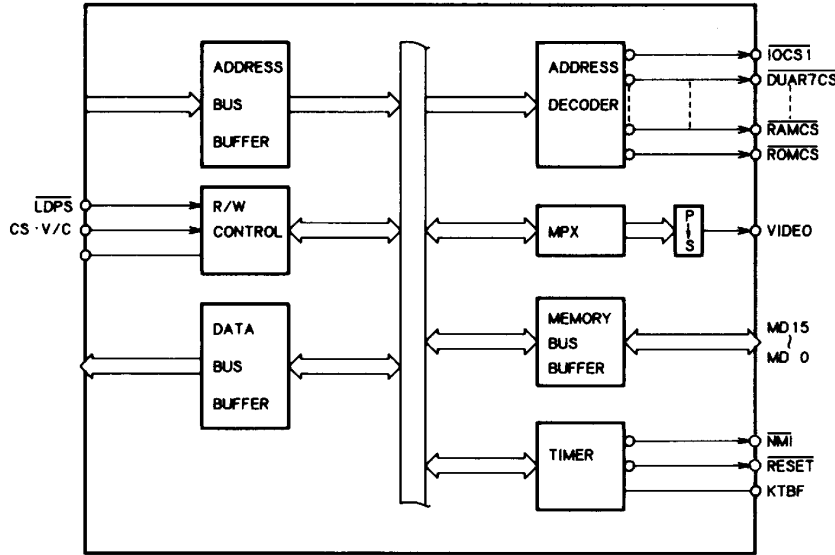
Signal name	I/O	Signal description
HSYNC	O	CRT horizontal synchronizing signal. Approx. 24 KHz.
VSYNC	O	CRT vertical synchronizing signal. Approx. 60 Hz
RAM/ROM.CS	O	Signal enable memory decoder of Gate Array #2
MODE	I	This terminal is for manufacture (always low)
CPU CLK	O	CPU Clock 5 MHz (200 ns)
20 M	O	Timing of \overline{RAS} , \overline{CAS} etc. Used for the shift clock of video data.
2.45 M	O	Not used
3.68 M	O	Clock for DUART operation
CS. $\overline{V/\overline{C}}$	O	CPU basic memory cycle time is 800 ns. One cycle consists of a CPU read/write cycle and video read/write cycle. CS. $\overline{V/\overline{C}}$: When high, video read/write cycle CS. $\overline{V/\overline{C}}$: When low, CPU read/write cycle
\overline{LDPS}	O	Signal loads video data and converts it from parallel to serial. Data is output to Gate Array #2, and it is converted from parallel into serial at Gate Array #2.
I/O CS	O	Signal enable I/O decoder of Gate Array #2.

2-3. Circuit Description

(2) Gate Array #2

- ① Function description
(Refer to Page 1-7)
- ② Block diagram

GATE ARRAY #2



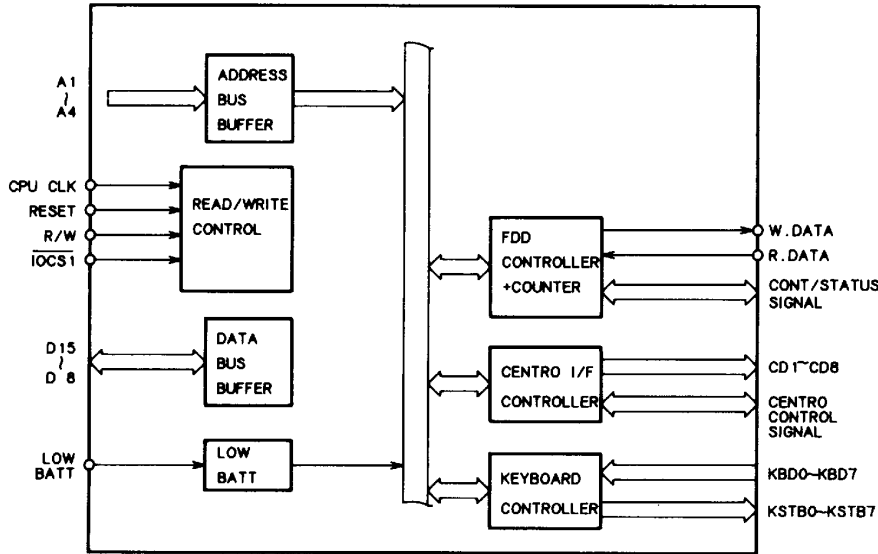
Signal name	I/O	Signal description
MNI	O	Signal resets the system when CPU is abnormal. Gate Array #2 has a watch dog timer. It starts count after gate array initialization. When count end is indicated, the signal goes $\overline{NMI} = \text{Low}$. CPU clears the timer at intervals of 840ms to keep $\overline{NMI} = \text{High}$.
RESIN	I	After the signal from the RESET circuit is input, the RESET
RESET	O	Signal is output with a 0.7ms delay.
KTOBF	O	One of the timers produces the keystroke interval time (6.5 ms). When the counter indicates count end, $KOTOBF = \text{High}$ is output to DUART. This signal is used as a key interrupt signal to CPU through DUART.
OFF HOOK PHONE	O	The OFF HOOK and PHONE signal is used as shown below ① When the mainframe is set to automatic reception, Ring is detected. OFF HOOK = High is set, K2 relay is set on, and the telephone circuit is connected with the mainframe. ② Next, PHONE = High is set, K1 relay is set on and the telephone set is separated from the telephone circuit. ③ When auto dialing with a dial-phone, the dial pulse is generated by switching the OFF HOOK signal on and off.

2-3. Circuit Description

(4) Gate Array #3

- ① Function description
(Refer to Page 1-7)
- ② Block diagram

GATE ARRAY #3



Signal name	I/O	Signal description
PE	I	When there is no paper in the printer, the signal goes High.
IPP	O	Signal initializes the printer. This signal synchronizes the mainframe with the printer initialization.
ERR	I	The signal goes Low when there is an error in the printer.
$\overline{\text{DSTB}}$	O	Centro data strobe signal
LEDE	O	Signal switching for LED when a lock key is pressed.
C.C	O	After initialization, C.C= level is set to check whether the test switch is On. A self diagnosis test is executed when the test switch is On.
DSO	O	Drive select signal

2-3. Circuit Description

2. CRT/Power Supply Unit (MATSUSHITA)

(1) Power Supply Specifications

Item	Voltage	Use
VCC	+5 V $\pm 4\%$	CPU PCB, KEYBOARD
+12 V	+12 V $\pm 3\%$	CRT
-12 V	-12 V $\begin{smallmatrix} +1 \\ -3V \end{smallmatrix}$	CPU PCB (RS-Driver)

(2) Circuit Description (Power Circuit)

The power circuit consists of four blocks which are described below (Refer to circuit diagram).

① EMI filter & rectifier

This block rectifies the AC voltage and passes it through a filter to generate DC voltage. The functions of the main element are shown below.

- 1) R1 limits inrush current to C6, C7, C5, and C24 when the power is switched on.
- 2) When the input voltage changeover terminal is set to 115V, the input voltage is divided by C6 and C7. They also work to remove ripple.

② Main chopper

This block consists of transistors Q2, Q3 and transformer T2.

When transistor Q2 (main chopper) is set on, energy is stored in transformer T2. When Q2 is set to off, the energy is converted into the secondary voltage. Thus, the primary voltage is converted into the secondary voltage while repeatedly turning Q2 on and off. The functions of main elements are shown below.

- 1) C8, R4 and D1 drive the base voltage of Q2.
R2 is the starting resistor for switching on Q2.
- 2) D3 (Catch-diode) holds the fly-back voltage during Q2 off.
- 3) L3 and R6 improve the turn-off speed.

③ DC output

This block rectifies the high-frequency wave and smoothes it with a filter to generate DC voltage. The functions of main elements are shown below.

- 1) D8 and D7 are diodes used for +5 V rectification. D6 is for +12 V rectification and D9 is for -12 V rectification.
- 2) The pi (π) form filters C16, C17, C20, L6 remove the 5 V line ripple.
- 3) The pi (π) form filters C15, L5, C801 remove the +12 V line ripple.
- 4) The pi (π) form filters C18, C17, C19 remove the -12 V line ripple.
- 5) The overvoltage protective circuit (SCR1, Z1, R27) switches off Q2 and switches on SCR1 when the 5 V line voltage exceeds the voltage in Z1.

④ Voltage regulation & current limiter

This block monitors the output current with IC1. When the current exceeds the specified value, the block switches transistor Q3 on and Q1 off. This operation regulates the voltage and also controls the output current. The main functions are shown below.

- 1) D5, R15, C12, D11 and R14 are the Q3 current limiting circuits.
- 2) IC1 compares the 2.5 V reference voltage with the output voltage. If the output voltage exceeds the specification, Q3 is switched on.
- 3) L4 and R16 produce a saw tooth waveform in the Q3 emitter when Q3 is switched on. It switches off Q1 and T3.

2-3. Circuit Description

(3) Circuit Description (CRT)

The CRT circuit consists of six blocks which are described below (Refer to circuit diagram).

① Video circuit

- Video input is inverted and amplified by the linear amplifier Q351 to drive CRT cathode ②.
- L352, C351 and R352 are inserted in collector emitter of Q351 to compensate high pass and have a flat frequency characteristic.

② CRT circuit

- This emitted electrons driven by the cathode are controlled by G1, and accelerated by G2. They strikes against the CRT fluorescent material by supplying focusing voltage to G4, resulting in picture brightness regeneration.

③ Bright ADJ circuit

- The brightness is controlled by adjusting the CRT G1 voltage obtained by changing R531 and R530 connected between the positive and negative voltages obtained from the FBT.
- Burning of the fluorescent surface of the CRT by the residual spot phenomenon when the power switch is turned off is prevented by the charging and discharging circuit made up of C519, R524, R518 and D510 connected in series with the G1 circuit as a spot killer.

④ Vertical deflection circuit

- The vertical oscillator is turned on and off by the charging and discharging circuit made up of C403, R405 and R416 and has a 56 Hz vertical oscillation frequency synchronized to V.SYNC.
- The amplitude of the sawtooth waveform generated at pin 8 is adjusted with R418.
- Vertical scanning is performed by passing the sawtooth waveform current taken from the output circuit through deflection coil DY(V).
- The vertical linearity is corrected by changing the feedback waveform with R417.

⑤ Horizontal output circuit

- The horizontal oscillator is oscillated by the charging and discharging circuit made up of C506, C523, R508 and R528 and 24 KHz obtained by controlling the horizontal oscillation frequency automatically by AFC circuit.
- The IC predrive circuit switches Q503 and drives the horizontal deflection and high voltage generation circuits.
- The deflection circuit is connected in series yoke DY(H). Linearity is adjusted with L502 and linear horizontal deflection is performed by L503 and C521.
- The voltage needed at the CRT is obtained by boosting (T501) and rectifying the flyback pulse by Q503 switching operation.

⑥ Dynamic focus circuit

- The approximate anode = 13 kV, G2 = 500 V, video = 50 V, and brightness circuit positive and negative voltages are obtained from the voltage taken from T501.
- The G4 voltage is varied with R529 and a static focus voltage is obtained.

2-3. Circuit Description

3. CRT/Power Supply Unit (GOLD STAR)

(1) Ratings (Power Supply)

1) Input

ITEMS (RATED VOLTAGE)	220/240V	100V	120V
INPUT VOLTAGE	AC 230V +/-15%	AC 100V +32%/-10%	AC 120V +/-15%
FREQUENCY PROTECT	47 ~ 53 Hz	47 ~ 53 Hz, 57 ~ 63 Hz	57 ~ 63 Hz

2) Output

ITEMS	-12V	+5.1V	+12V
VOLTAGE REGULATION	-12V +2V/-1V	+/-3%	+/-3%
RIPPLE	---	50m Vp-p MAX	50m Vp-p MAX
OVER VOLTAGE	---	0 ~ 7V dc	---

* The output voltage is obtained by the Normal Load State.

(2) Circuit Description (Power Supply)

1) Input filter circuit

The AC input is filtered by C901, C904, L901 and is rectified by Bridge Rectifier (D901) and C905. The F901 is protected from overcurrent in the primary circuit.

The C902, C903 is for restriction of leakage current and noise.

2) Driving circuit

The SNUBBER CIRCUIT consists of R903, C907, D902, C925 and is prevented from overshooting which is occurred between Ton and Toff of Q1 in the IC901.

The Sensing Voltage is induced from the formular ($N_{12} = N_{sen} = 6/12 * N_s + 12$) and is rectified in reverse, filtered by C906.

Therefore, at pin 1 in the IC901, the sensing voltage is occurred to -6V and the Driving voltage is generated through $N_b = N_{1, 2}$, is flowed through R906, C911→C912→R905, C906, to the pin 2 of IC901.

The C910, R904 is for preventing ringing and having soft start.

The C909, C911 is for rising the speed of Driving Current.

If the polarity of N12 is charged, the route of discharge is flowed through Transformer 2 →D904→C912→D903→Transformer 1.

The D905 is for restricting the Driving Voltage.

2-3. Circuit Description

3) Output circuit

When transistor Q1 in the IC901 is OFF, the stored energy in the primary winding is delivered to the secondary circuit through the secondary winding.

The Output Voltage (+12V, +5V, -12V) is rectified by D907, D909, D912 and filtered by C913, C914, C916, C917, C923.

Therefore, by the regulator (IC902, IC903, IC905), the constant voltage is obtained.

4) Over voltage protection circuit (+5V)

The +5V is obtained by regulator (IC903) and then if OVER VOLTAGE is generated in the +5V line, by Bleeder resistor (R911, R912) and D911, the base of Q902 is biased.

Therefore, the current is flowed through Diode in IC904 and Q902 is ON.

The gate voltage is generated and the rectified voltage is flowed from pin 5 to pin 6 and Q901 is ON.

Therefore the base current of Q1 in the IC901 is decreased and the collector current is decreased.

(3) Circuit Description (CRT)

1) Video amplifier

Video amplification is provided by transistors Q301 and Q302. Transistor Q301 and Q302 are connected in a cascade configuration ; Q301 operates as an common emitter and Q302 operates in the common base configuration.

This minimizes the Miller effect input capacitance and the defining breakdown parameter for Q302 becomes BvCBO as opposed to BvCEO for the common emitter configuration.

This enables selection of a higher speed/lower breakdown transistor to be used in the video amplifier.

The video amplifier is normally off. That is, in the absence of a video input signal or with a signal level of less than 0.6V.

Then the CRT cathode voltage will be at +55V when the input signal exceeds 0.6V.

The amplifier can be adjusted by rotating subcontrast variable resistor VR 301.

Then the amplifier begins operation in the linear region and the CRT cathode voltage starts to decrease with a normal voltage gain of 35 V.

2-3. Circuit Description

2) Vertical deflection

The vertical electronics circuit consists of an IC701 (TDA 1170N) and the vertical deflection coil of the DY. (and associated circuitry)

The IC701 (TDA 1170N) incorporates all the functions for providing the yoke of the MONITOR with the current required for vertical deflection.

The preamplifier is a high input impedance differential type, with inverted input available at PIN 10.

The non-inverting input is fixed internally in the circuit at a stabilized voltage of approximately 2.2 V.

During flyback, the flyback generator produces a voltage equal to approximately double the supply voltage and this is applied at the Yoke by means of the power amplifier.

The oscillator is a threshold type with a high degree of frequency stability.

It is synchronized with a circuit which receives either positive or negative sync. pulses and ensures complete immunity from noise throughout most of the scanning time.

The time constant circuit that determines the vertical oscillation frequency consists of C602, R607 and VR601 connected at the PIN 9 of IC601.

The vertical size control function is performed by VR603 and R609 causing the negative feedback to change.

3) Horizontal deflection

The IC701 performs the horizontal synchronization (Oscillator) and Horizontal Drive.

The AFC circuit consists of the phase detection circuit of the IC701 and the associated component that connected to PIN 3 and PIN 4 of IC701.

The oscillation limit circuit is necessary to prevent the pulse from excessive high voltage.

This circuit is located in the IC701 and controls the oscillator to maintain the control signal in its correct frequency and in phase with the horizontal sync signal.

The oscillation frequency consists of C710 connected with the PIN 11 of IC701 and R714, VR702 connected with the PIN 12 of IC701.

Horizontal Drive pulse out of the IC701, PIN 8 are through T701 (Horizontal Drive Trans) to the base of Horizontal output Q703.

Transistor Q708 is biased on when the beam is at about midscreen.

The charge stored on C724 causes current to flow through the Horizontal Yoke winding and Q703 to ground.

When the beam reaches the right side of the screen, Q703 is turned off, and the current in the Yoke is directed in C714.

At the same time, the current flows into C714 from the regulated B+ via to FBT primary winding.

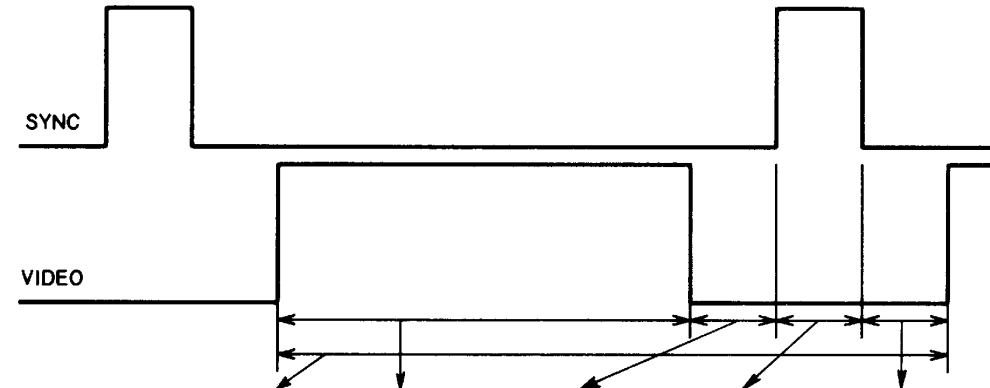
Due to resonance, the current then reverses and flows back through the horizontal yoke winding into C724.

2-3. Circuit Description

4) Timing Chart

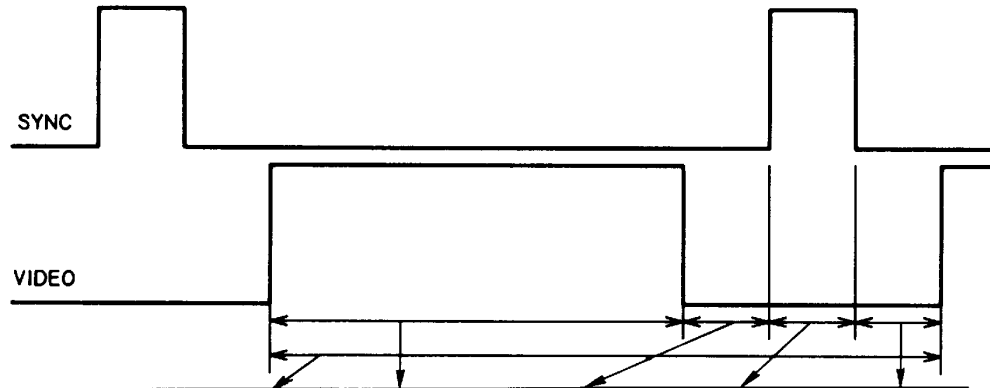
CHARACTER	7*9 DOTS
CHARACTER BLOCK	8*14 DOTS
CHARACTER CLOCK	2.5 MHz
DOT CLOCK	20 MHz

HORIZONTAL



	TOTAL CHr	DISPLAY CHr	FRONT P	SYNC SIg	BACK p
HORIZONTAL RATE	104	84	2	10	8
24.038 KHz	41.6 uS	33.6 uS	0.8 uS	4.0 uS	3.2 uS

VERTICAL



	TOTAL CHr	DISPLAY CHr	FRONT P	SYNC SIg	BACK p
VERTICAL RATE	400	344	14.0	16.0	26
60.096 Hz	16.640 mS	14.310 mS	0.582 mS	0.6656 mS	1.0816 mS

CHAPTER 3

REPAIR

	Page		Page
3-1. μ FDD Unit	3-1	3-4. CPU PCB Unit.....	3-35
3-2. CRT/Power Supply Unit (MATSUSHITA).....	3-17	3-5. Keyboard Unit.....	3-44
3-3. CRT/Power Supply Unit (GOLD STAR)	3-25		

3. REPAIR

3-1. μ FDD Unit

1. Disassembly - Reassembly

(1) Flowchart

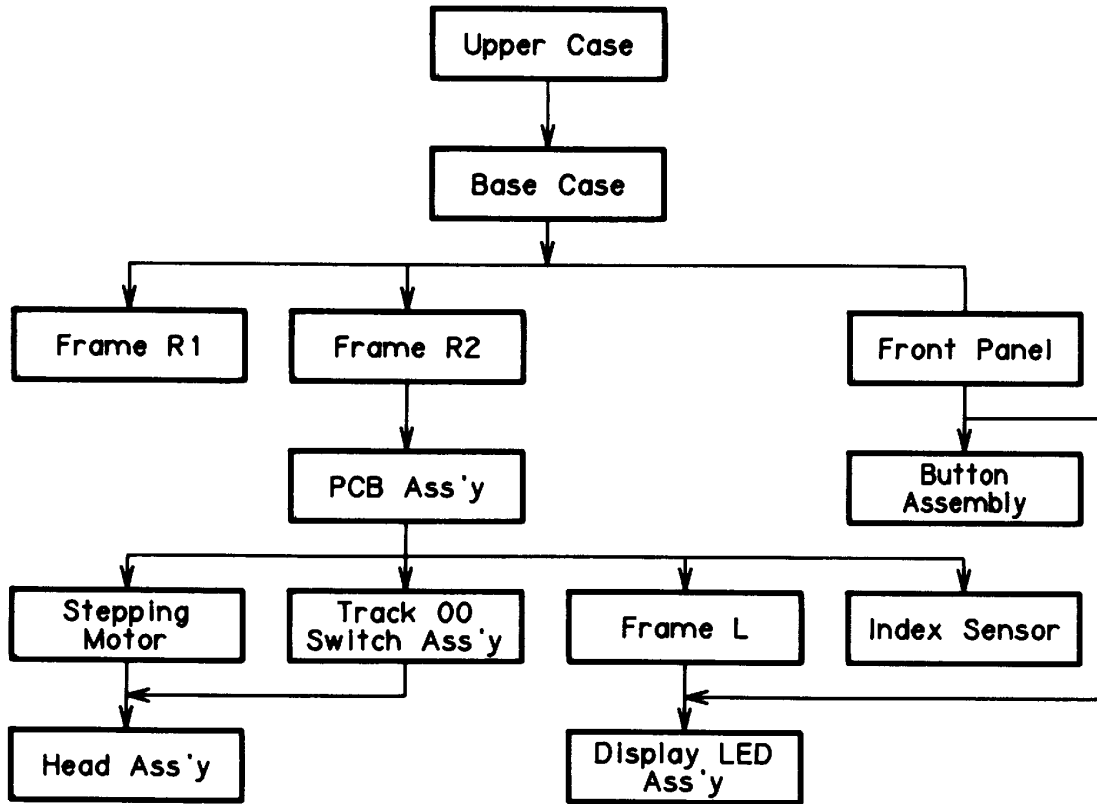


Fig.3-1

3-1. μ FDD Unit

(2) Disassembly · reassembly

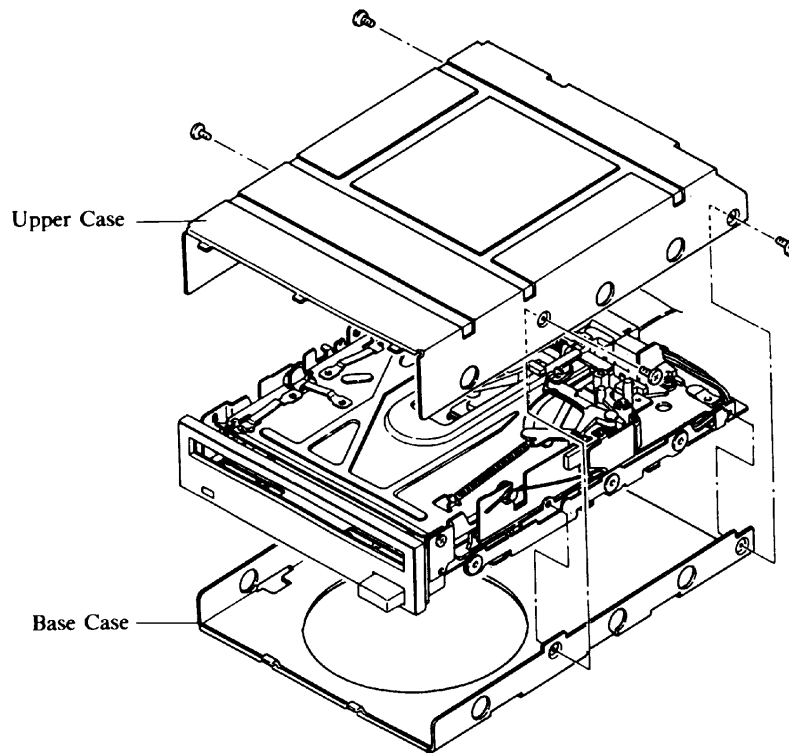


Fig.3-2

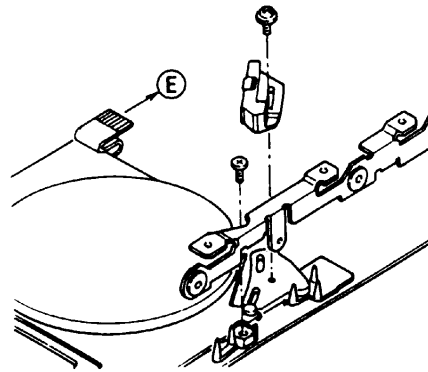


Fig.3-3

3-1. μ FDD Unit

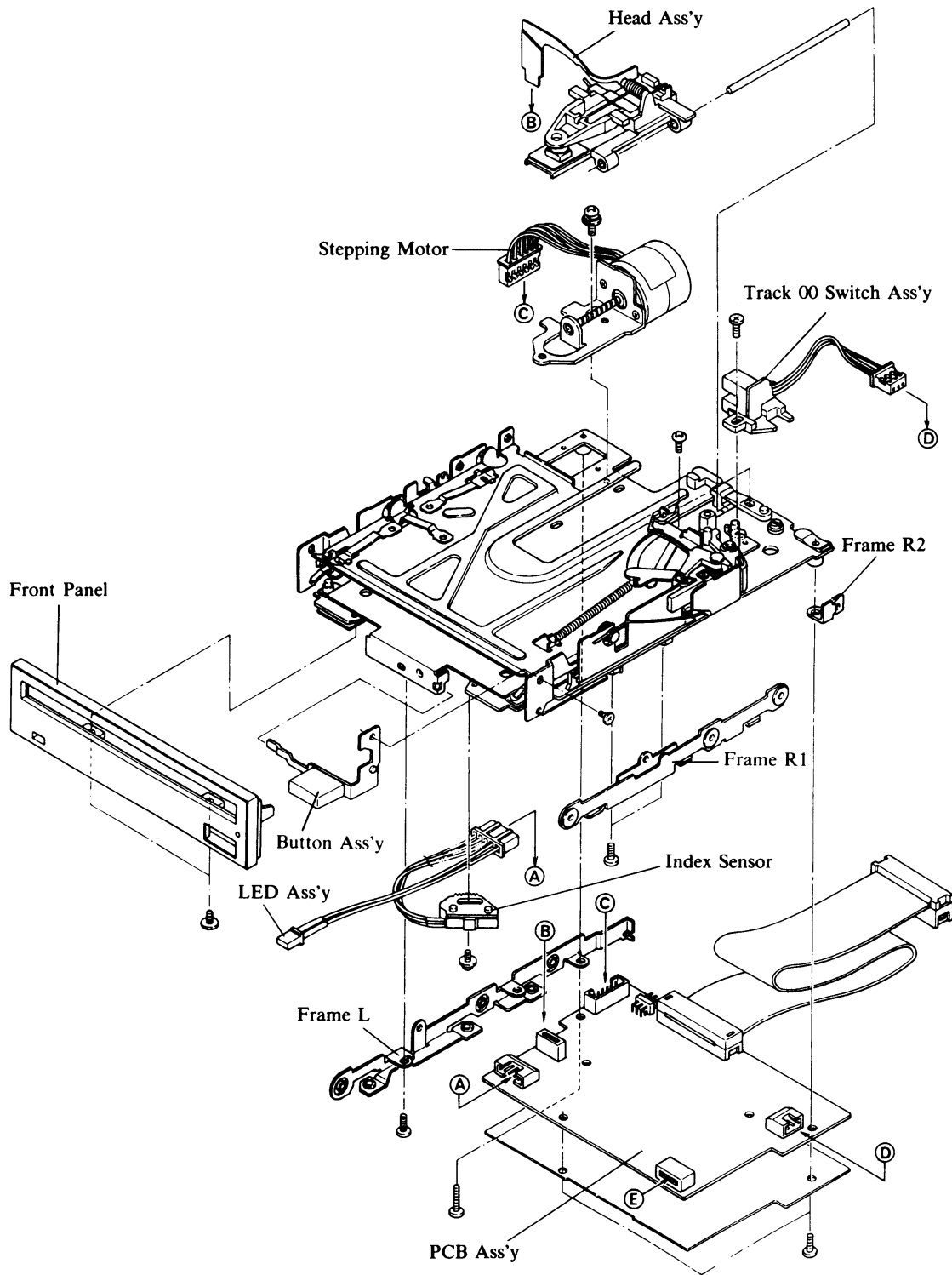


Fig.3-4

3-1. μ FDD Unit

2. Electrical Adjustment

(1) Preparation

- 1) The check terminals are shown in Fig. 3-5.
- 2) We recommend to use an adapter as shown in Fig. 3-6, when making connections between measuring equipment and check terminals.
- 3) When making connections, ensure that the system is turned off before connecting any probes and turned on only after all connections are completed.
- 4) Confirm that any conductive materials are not stuck to the drive and then turn the system switch on.

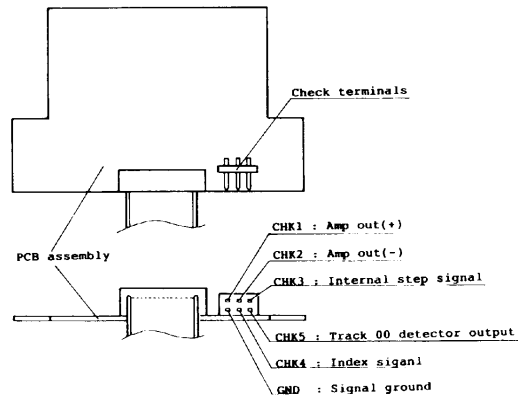


Fig. 3-5

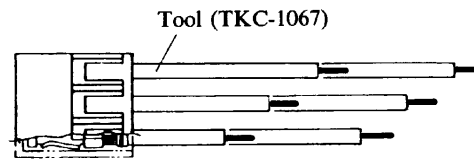


Fig. 3-6

3-1. μ FDD Unit

(2) Index burst position adjustment

Adjustment purpose

This adjustment is made when the Index Sensor, etc. has been replaced.

The sensor position is adjusted so that sector 1 is assigned from the correct position after index signal detection.

Adjustment procedure

- 1) Connect the Drive to the System.
- 2) The Probes of the Oscilloscope are connected as shown in Fig. 3-8 and the signal conditions are set up as shown in Fig. 3-7. The External Trigger must be: NORM-,NEG.
- 3) Set the Alignment Disk in the Drive, and start FDD Adjustment. (See Chapter 4, Check Operation.)
- 4) Loosen the Mounting Screw on the Index Sensor and adjust its position so that the time between the sweep starting point and the burst starting point (indicated by "T" in Fig. 3-9) is within the adjusted range: $400 \pm 400 \mu\text{sec}$.
- 5) While taking care not to alter the precise adjustment, tighten the Mounting Screw on the Index Sensor.

SWITCH	CH1	CH2
AC-GND-DC	AC	AC
VERT	ADD	
INVERT	—	ON
VOLT/DIV	0.1V	0.1V
TIME/DIV	0.1 msec.	
CONNECTION TERMINAL	CHK 1	CHK 2

Fig. 3-7

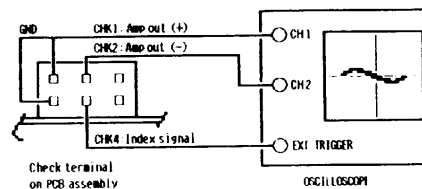


Fig. 3-8

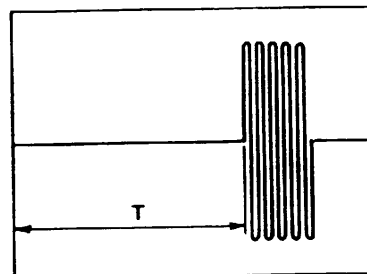


Fig. 3-9

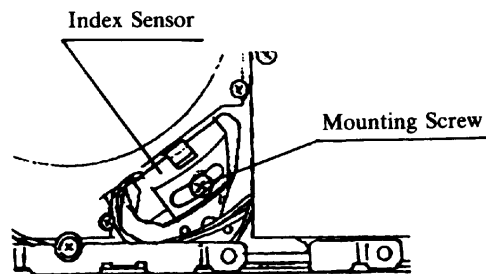


Fig. 3-10

Tools

Oscilloscope

Alignment Disk (TKC-0470)

Driver, Phillips type (+) (CK-0129)

3-1. μ FDD Unit

(3) Track position adjustment

Adjustment purpose

After the Stepping Motor, etc. has been replaced, the motor position is adjusted so that the Head is accurately stepped to the objective track.

Adjustment procedure

- 1) Connect the Drive to the System.
- 2) The Probes (1 : 1) of the Oscilloscope are connected as shown in Fig. 3-12 and the signal conditions are set up as shown in Fig. 3-11.
The External Trigger must be: NORM, NEG.
- 3) Set the Alignment Disk in the Drive, and start FDD Adjustment. (See Chapter 4, Check Operation.)
- 4) Loosen the Mounting Screw on the Stepping Motor.
- 5) In Index Burst Position, turn the Eccentric Dowel for Adjustment so that the burst ratio of the wave forms (cats eye pattern) are within 85% to 100% of the burst ratio value obtained from burst ratio formula.

$$\text{Burst ratio} = \frac{\text{Smaller reproduced voltage}}{\text{Larger reproduced voltage}} \times 100$$

- 6) While taking care not to alter the precise head position setting, tighten the Mounting Screws on the Stepping Motor.

Confirmation

In step in and step out, check that the burst ratio is within 75% to 100% for both sides as to both case. If the burst ratio is outside of range, re-adjust.

Tools

Oscilloscope

Alignment Disk (TKC-0470)

Driver, Phillips type (-) (CK-0120)

Driver, Phillips type (+) (CK-0103)

SWITCH	CH1	CH2
AC-GND-DC	AC	AC
VERT	ADD	
INVERT	—	ON
VOLT/DIV	0.1V	0.1V
TIME/DIV	20 msec.	
CONNECTION TERMINAL	CHK1	CHK2

Fig. 3-11

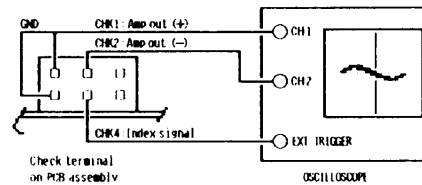


Fig. 3-12

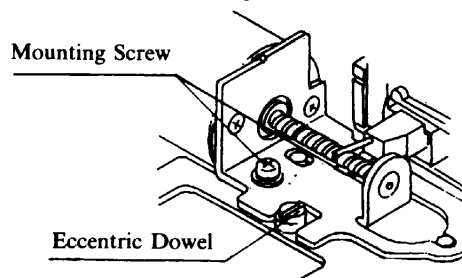
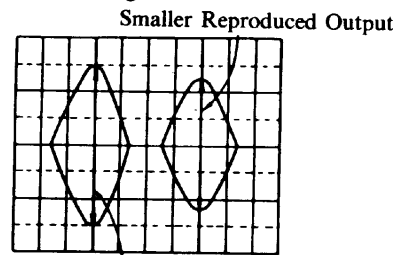


Fig. 3-13



Larger Reproduced Output

Fig. 3-14

3-1. μ FDD Unit

(4) Track 00 position adjustment

Adjustment purpose

After the track 00 switch assembly, etc. has been replaced, its position is adjusted so that the head is accurately set to track 00.

Adjustment procedure

- 1) Connect the Drive to the System.
- 2) The Probes of the Oscilloscope are connected as shown in Fig. 3-16 and the signal conditions are set up as shown in Fig. 3-15. The External Trigger must be; INT, CH2, NEG.
- 3) Set the Normal Disk in the Drive, and start FDD Adjustment.
- 4) Select the Track 00 and move the head in alternate steps between track 00 and track 06.
- 5) Loosen the Mounting Screw on the track 00 switch assembly and adjust its position by turning the Eccentric Dowel so that the positive-going edge of waveforms displayed on the Oscilloscope will be within the range in Fig. 3-18. The starting point of the positive going edge (0.4V - 2.4V) shall be within the time range: 3.0 msec from the track 01 pulse.
- 6) While taking care not to alter the precise adjustment, tighten the Mounting Screw on the track 00 switch assembly.

Tools

Oscilloscope

Normal Disk

Driver, Phillips type (+) (CK-0103)

Driver, Phillips type (-) (CK-0120)

SWITCH	CH1	CH2
AC-GND-DC	DC	DC
VERT	ADD	
INVERT	—	—
VOLT/DIV	2V	2V
TIME/DIV	10 msec.	
CONNECTION TERMINAL	CHK3	CHK5

Fig. 3-15

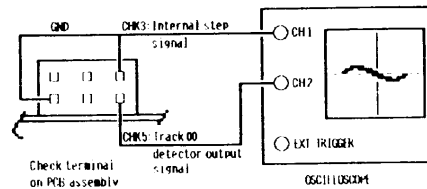


Fig. 3-16

Mounting Screw

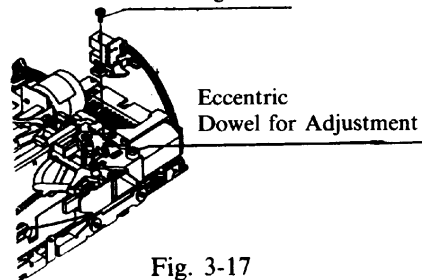


Fig. 3-17

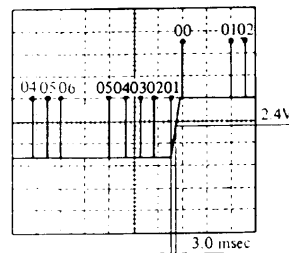


Fig. 3-18

3-1. μ FDD Unit

(5) Modulation

Adjustment purpose

After disassembly, reassembly, or adjustment, the reproduce output amplitude is checked as the final check

Confirmation procedure

- 1) Connect the Drive to the System.
- 2) The Probes of the Oscilloscope are connected as shown in Fig. 3-20 and the signal conditions are set up as shown in Fig. 3-19. The External Trigger must be: NORM, NEG.
- 3) Set the Normal Disk in the Drive, and select the track 00 and the track 79 modulation, and observe the waveform.
- 4) Set the Normal Disk in the Drive B.
- 5) Confirm that the calculated values (ratios) using the following formula will be less than 10%.

$$\text{Formula} = \frac{A - B}{A + B} \times 100$$

A: Maximum value of output voltage

B: Minimum value of output voltage

Tools

Normal Disk

Oscilloscope

SWITCH	CH1	CH2
AC-GND-DC	AC	AC
VERT	ADD	
INVERT	—	ON
VOLT/DIV	0.2V	0.2V
TIME/DIV	20 msec.	
CONNECTION TERMINAL	CHK1	CHK2

Fig. 3-19

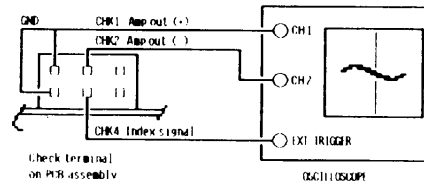


Fig. 3-20

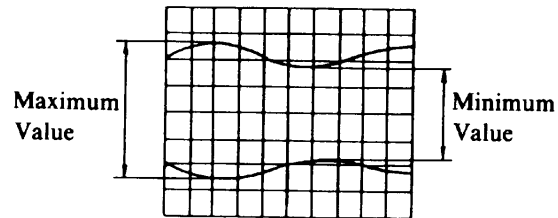


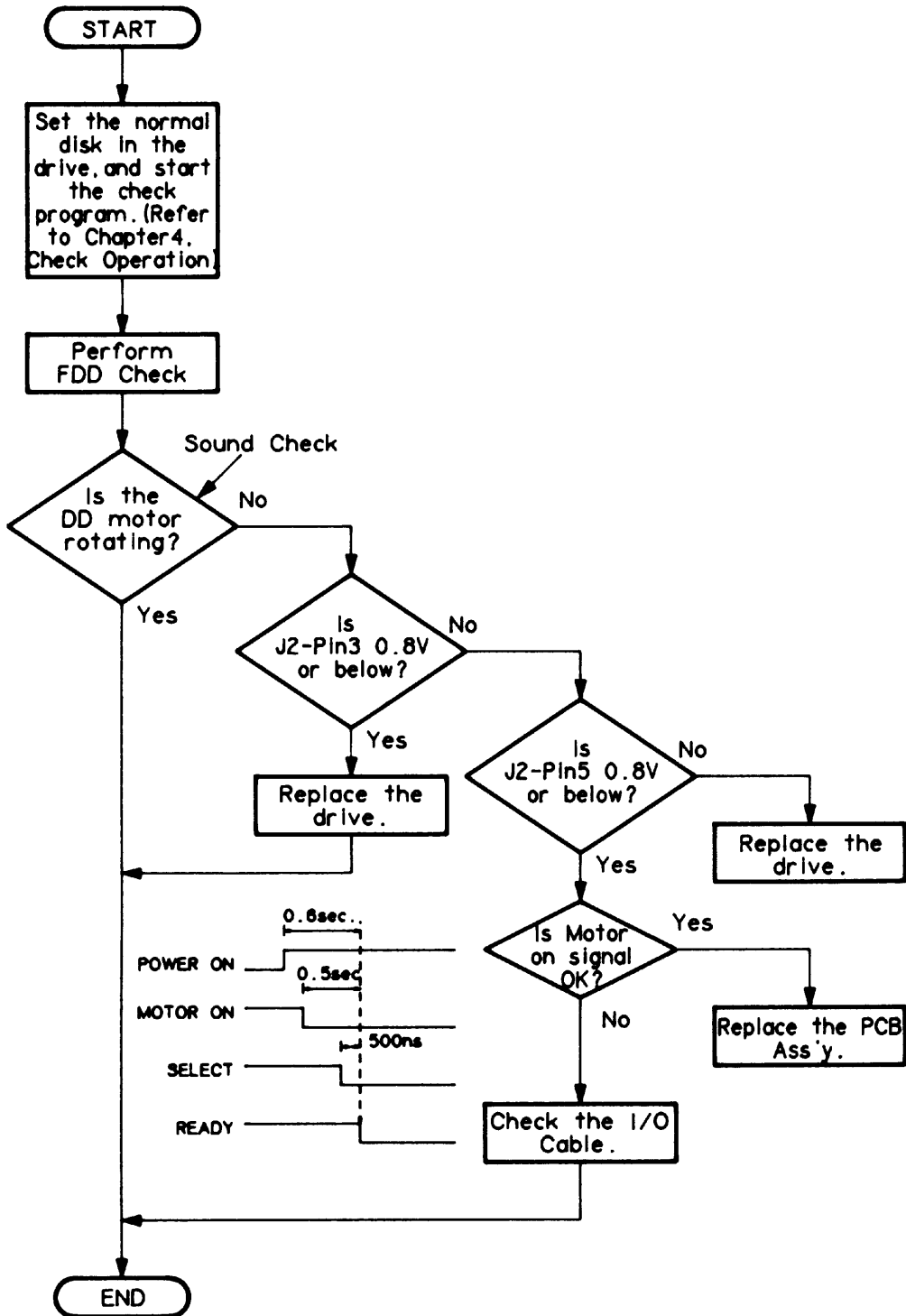
Fig. 3-21

3-1. μ FDD Unit

3. Circuit Diagram

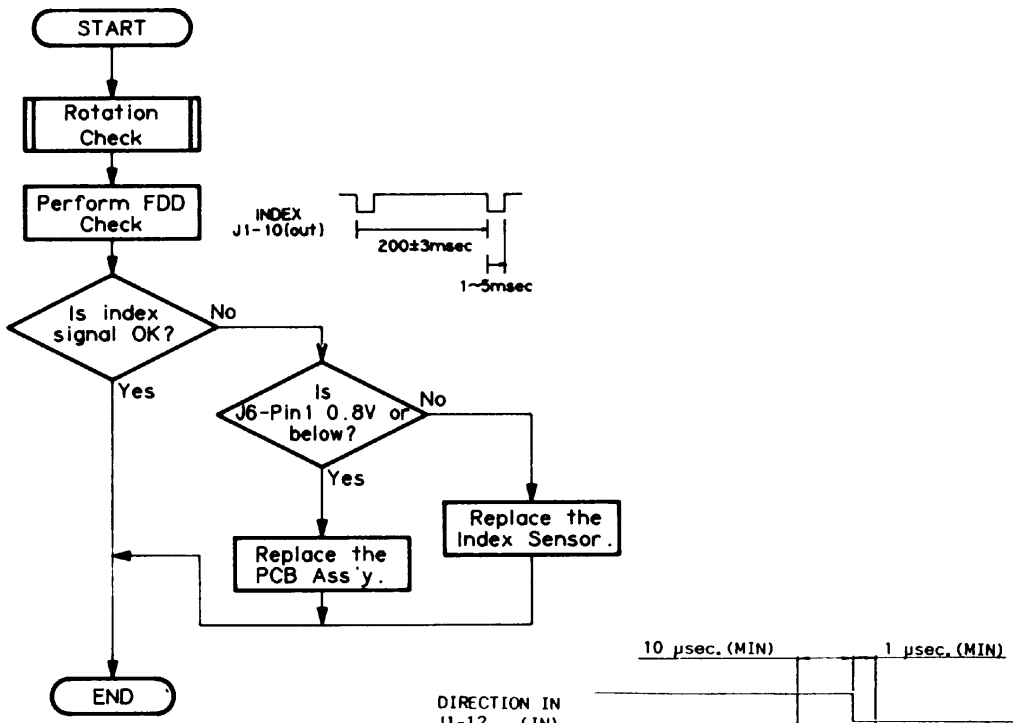
(1) Defective block identification

① Rotation check

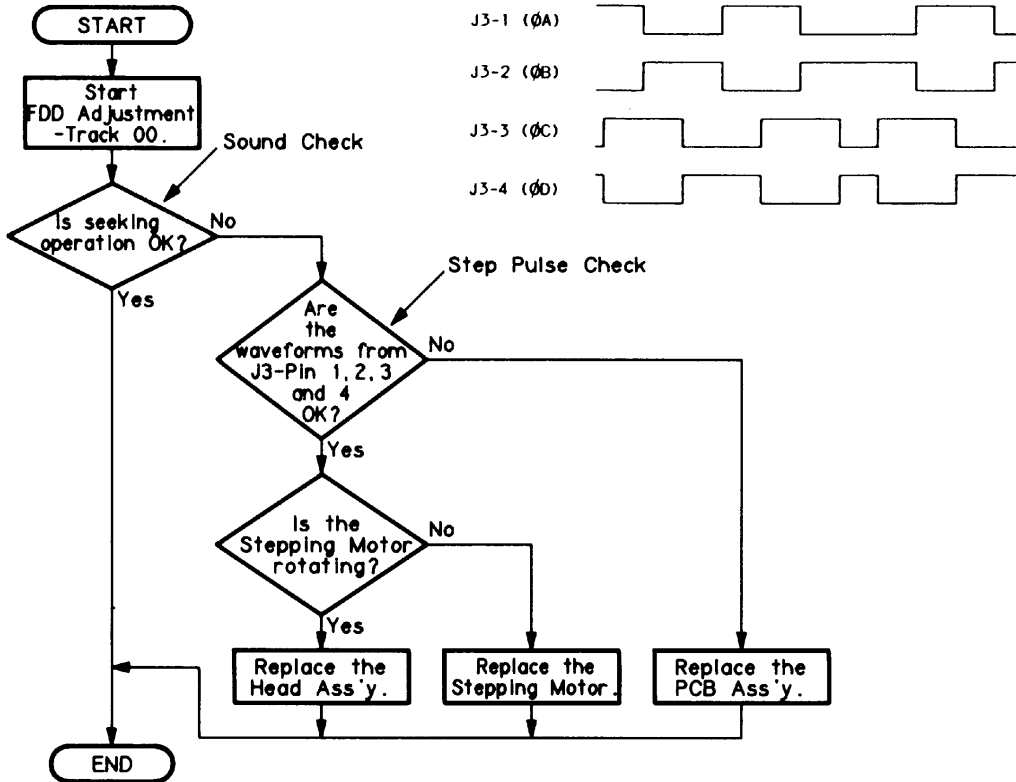


3-1. μ FDD Unit

② Index check

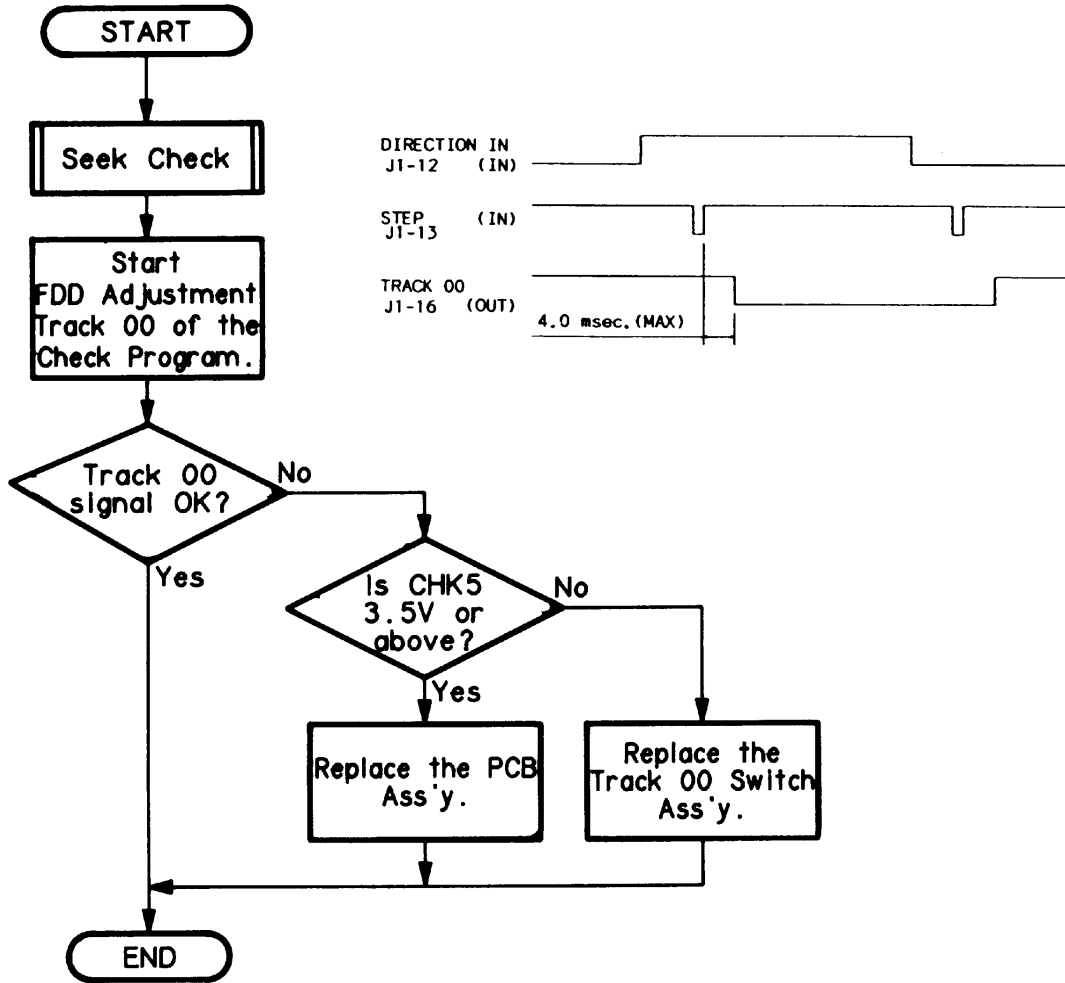


③ Seek check



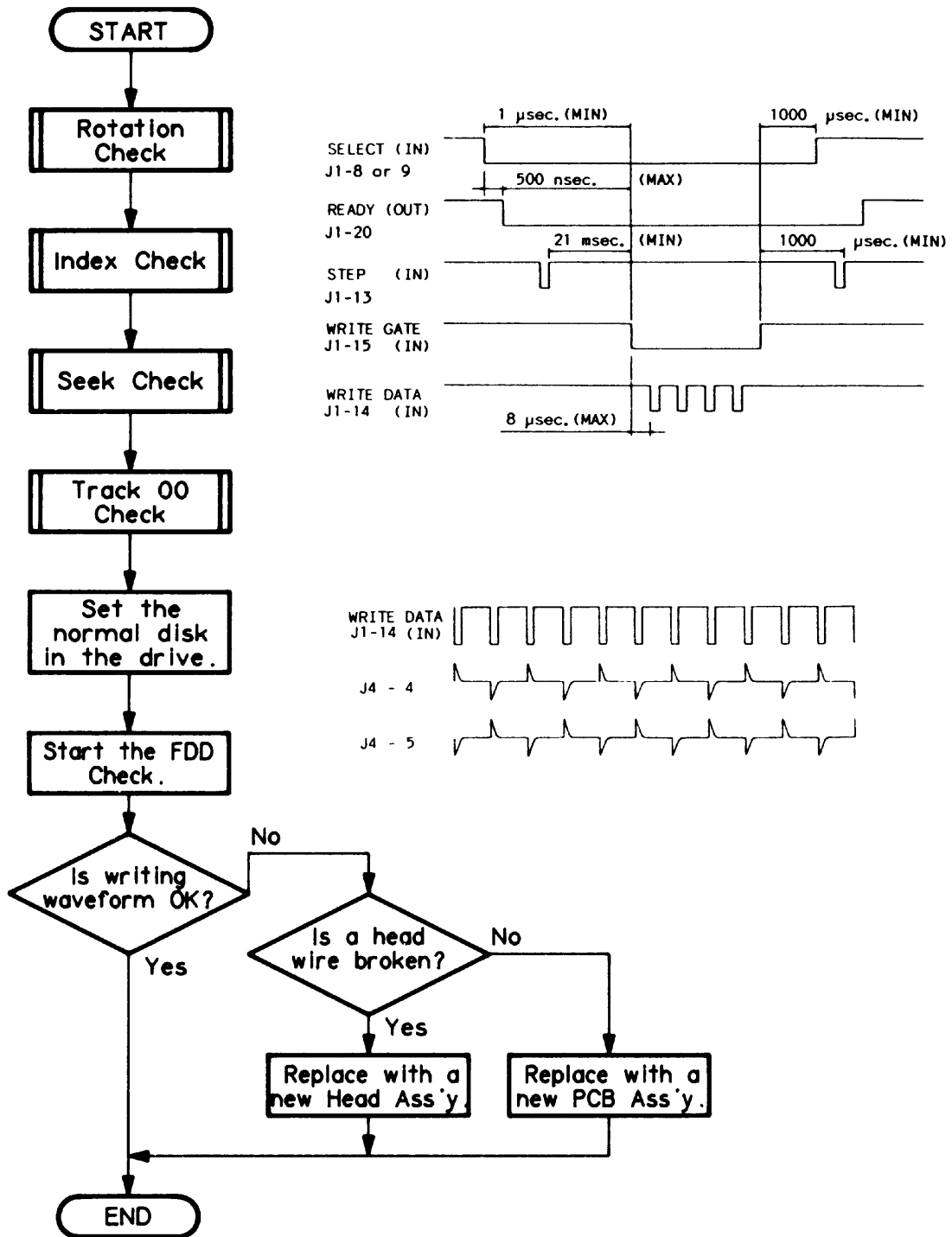
3-1. μ FDD Unit

④ Track 00 check



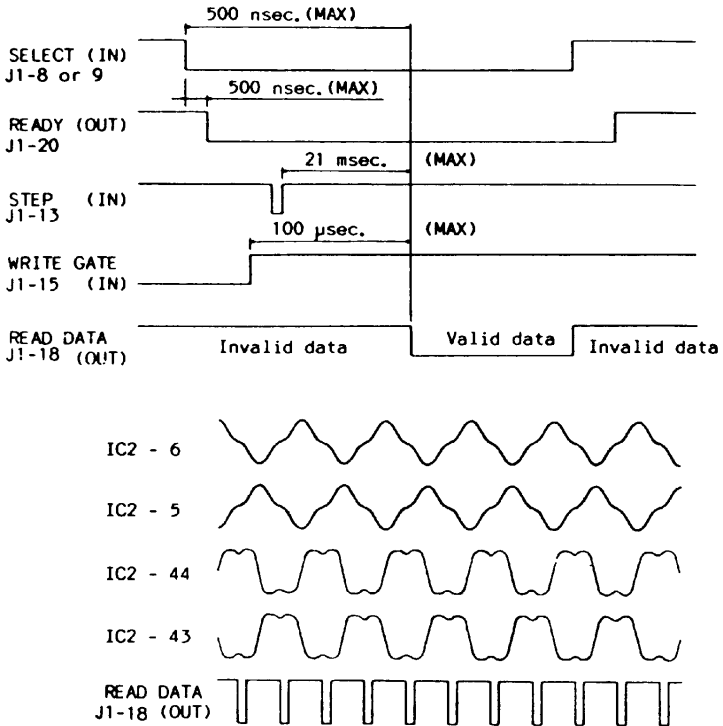
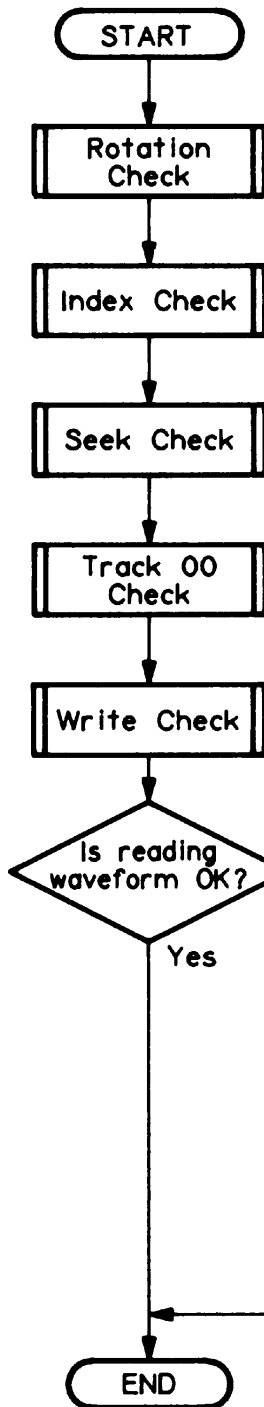
3-1. μ FDD Unit

⑤ Write check



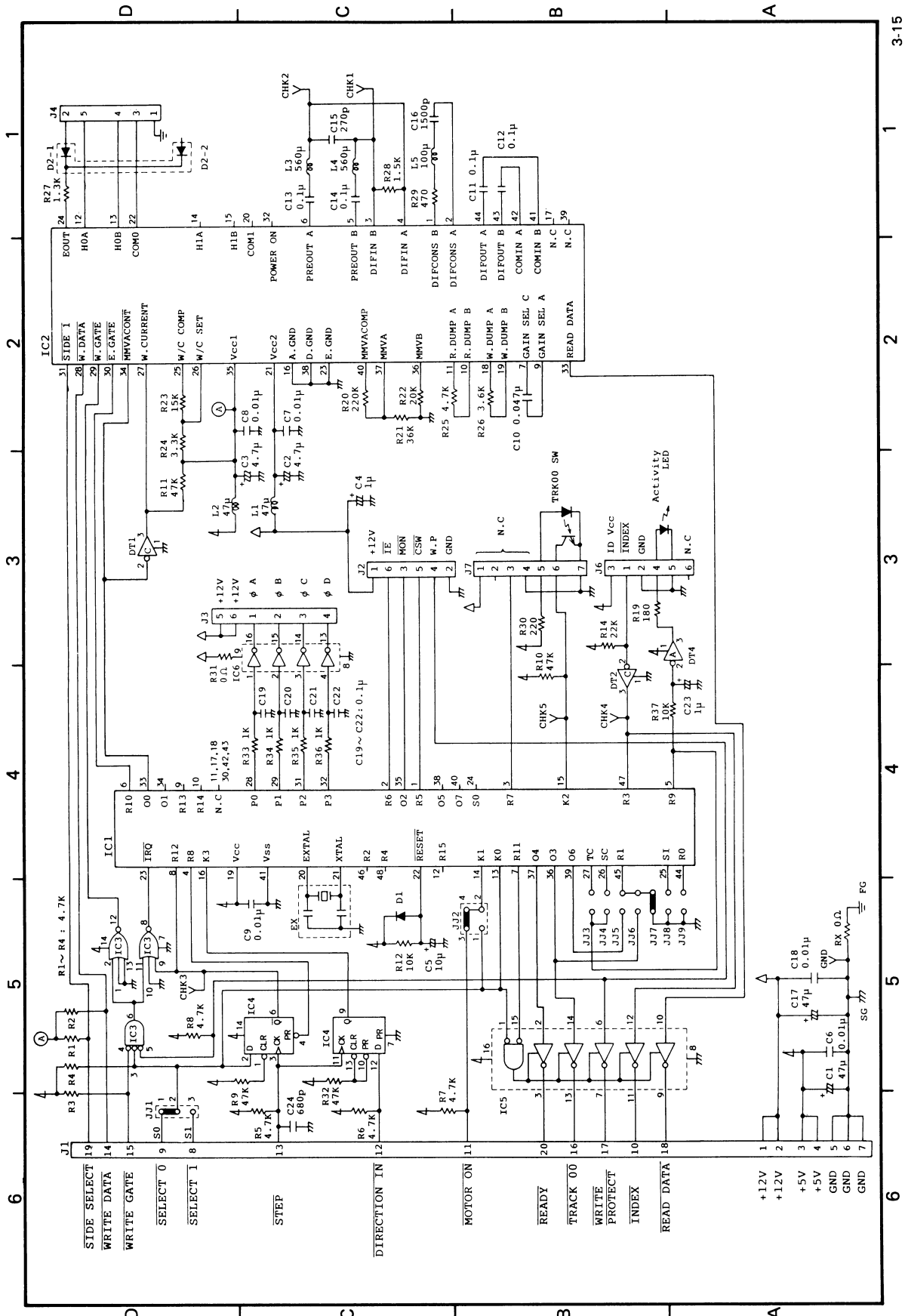
3-1. μ FDD Unit

⑥ Read check



3-1. μ FDD Unit

(2) Circuit diagram

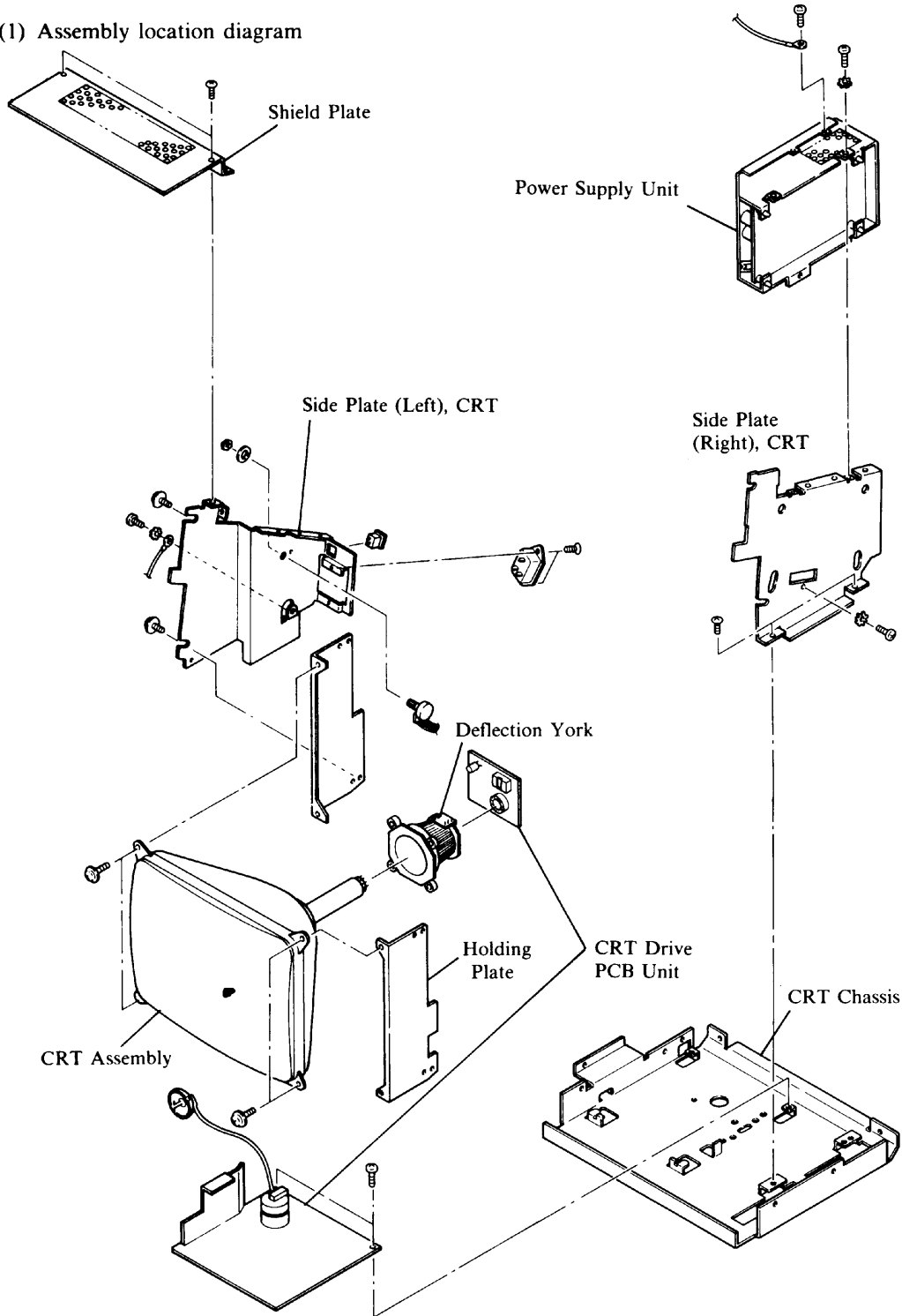


3-2. CRT/Power Supply Unit (MATSUSHITA)

1. Disassembly · Reassembly

Warning: Before disassembly, discharge the High Voltage throughly with the procedures of (2) Before repairing on page 3-18.

(1) Assembly location diagram



3-2. CRT/Power Supply Unit (MATSUSHITA)

Caution for servicing is indicated below.

Before removing the CRT, discharge the High Voltage throughly with the following procedures Step 1 to 3.

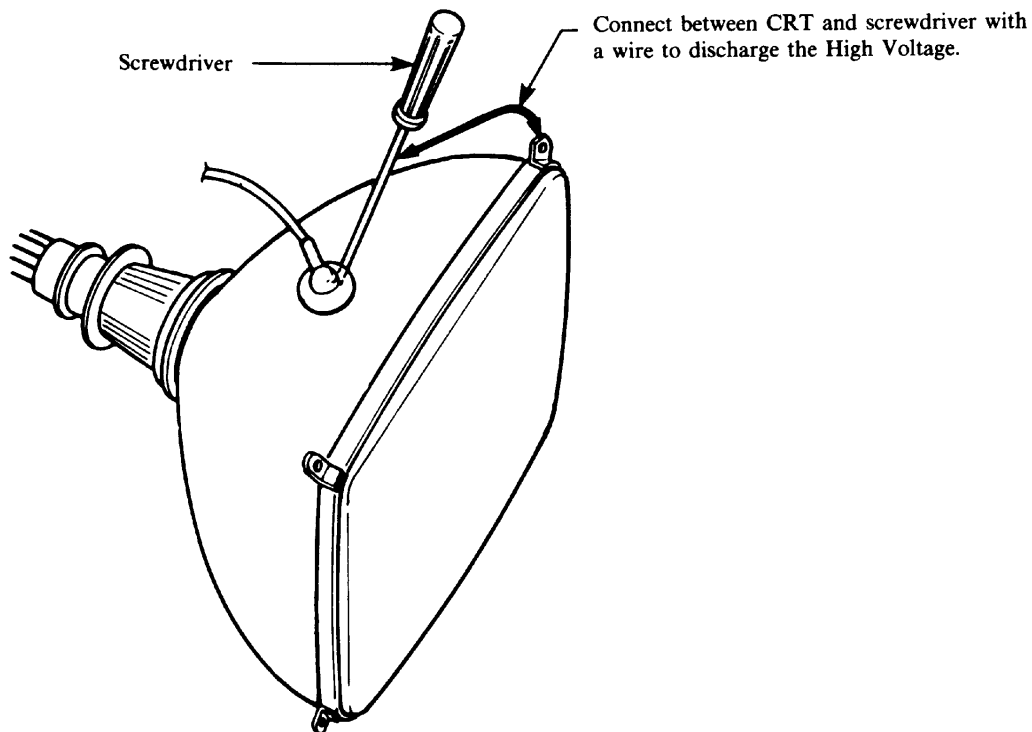
Warning: Great care must be taken because the High Voltage will be charged for approximately 30 hours or more after power is turned off. Discharge the High Voltage before assembling each of the units or servicing.

Procedures

Step 1. Remove the CRT Socket P.C.Board from the CRT.

Step 2. Discharge the High Voltage which has been charged in the CRT.

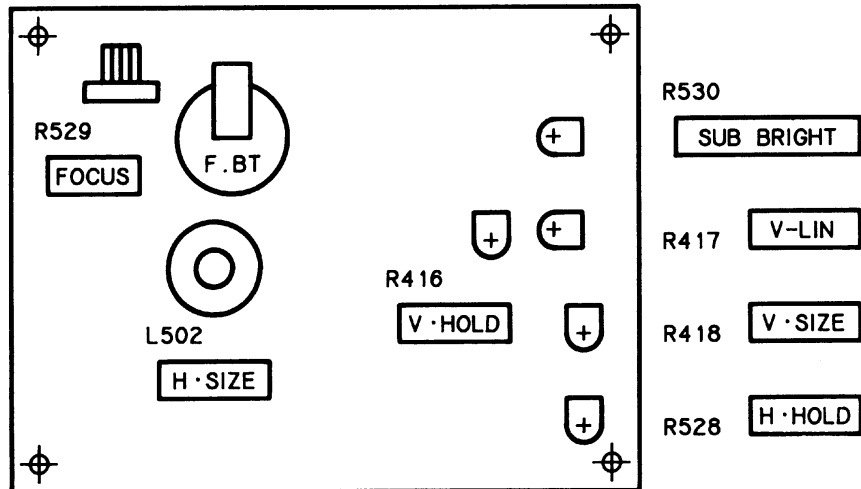
Step 3. Remove Anode Cap.



Discharge of High Voltage

3-2. CRT/Power Supply Unit (MATSUSHITA)

2. Electrical Adjustment



ADJUSTMENT ITEM	ADJUSTMENT POINT	TOOL	CHECK PROGRAM
(1) Horizontal synchronization	R528	Driver	H Pattern
(2) Vertical synchronization	R416	Driver	H Pattern
(3) Vertical amplitude	R418	Driver	H Pattern
(4) Vertical linearity	R417	Driver	H Pattern
(5) Horizontal amplitude	L502	Ferrite Core Driver	H Pattern
(6) Sub bright	R530	Driver	H Pattern
(7) Focus	R529	Driver	H Pattern
(8) Centering	Deflection coil centering magnet	—	H Pattern
(9) Deflection distortion	4-pole correction magnet	Plastic Square Driver	H Pattern

Note: Turn on the power and wait for the circuits to stabilize (30 minutes or more) before making any adjustments.

3-2. CRT/Power Supply Unit (MATSUSHITA)

(1) Horizontal synchronization

(Adjustment purpose)

Adjustment of the character area to the center of the raster.

(Adjustment procedure)

- 1) Turn R528 clockwise and find the point at which the screen is distorted to the right.
- 2) Turn R528 counterclockwise and find the point at which the screen is distorted to the left.
- 3) Set synchronization to the center of the left and right distortion of the screen.

Note: The screen may not be distorted when R528 is turned clockwise or counterclockwise. In this case, assume that the MAX position of the VR is the point at which the screen is distorted.

(2) Vertical adjustment

The adjustment purpose and procedure are the same as horizontal adjustment. The adjustment VR is R416.

(3) Vertical amplitude

(Adjustment purpose)

Adjustment of the vertical display length to 115 mm.

(Adjustment procedure)

- 1) Turn R418 clockwise or counterclockwise and adjust the vertical display length to 115 mm.

Note: Vertical display length: 115 mm \pm 2 mm.

(4) Vertical linearity

(Adjustment purpose)

Adjustment so that the height of the character H is the same at the top row and bottom row.

(Adjustment procedure)

- 1) Turn R417 clockwise and counterclockwise and adjust so that the length of the top and bottom characters is the same.

(5) Horizontal amplitude

(Adjustment purpose)

Adjustment of the horizontal display length to 170 mm.

(Adjustment procedure)

- 1) Turn L502 clockwise and counterclockwise and adjust the horizontal display length to 170 mm.

Note: Horizontal display length: 170 mm \pm 2 mm.

3-2. CRT/Power Supply Unit (MATSUSHITA)

(6) Brightness

(Adjustment purpose)

Adjustment to the point at which the back raster disappears at the BRIGHT VR MAX position.

(Adjustment procedure)

- 1) Set the BRIGHT VR (R531) to MAX.
- 2) Turn SUB BRIGHT R530 clockwise and counterclockwise and adjust it to the point at which the back raster disappears.

(7) Focus

(Adjustment purpose)

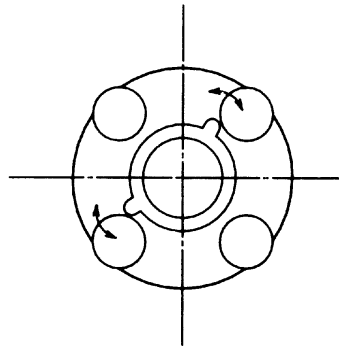
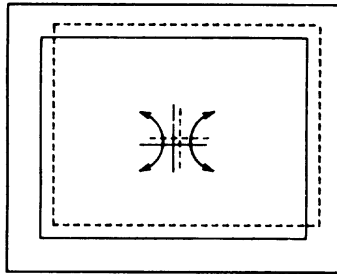
Adjustment to the position at which the entire screen is focused uniformly.

(Adjustment procedure)

- 1) Turn R529 clockwise and counterclockwise and adjust it to the position at which the center of the screen is focused uniformly.

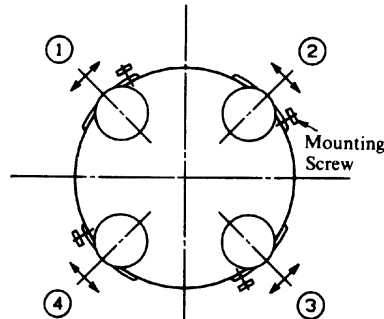
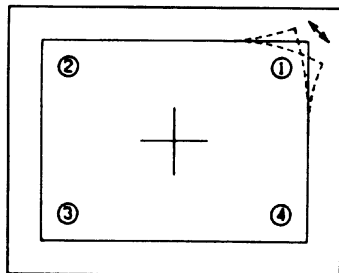
(8) Centering

Adjust the deflection coil centering magnet so that the display area is at the center of the CRT.



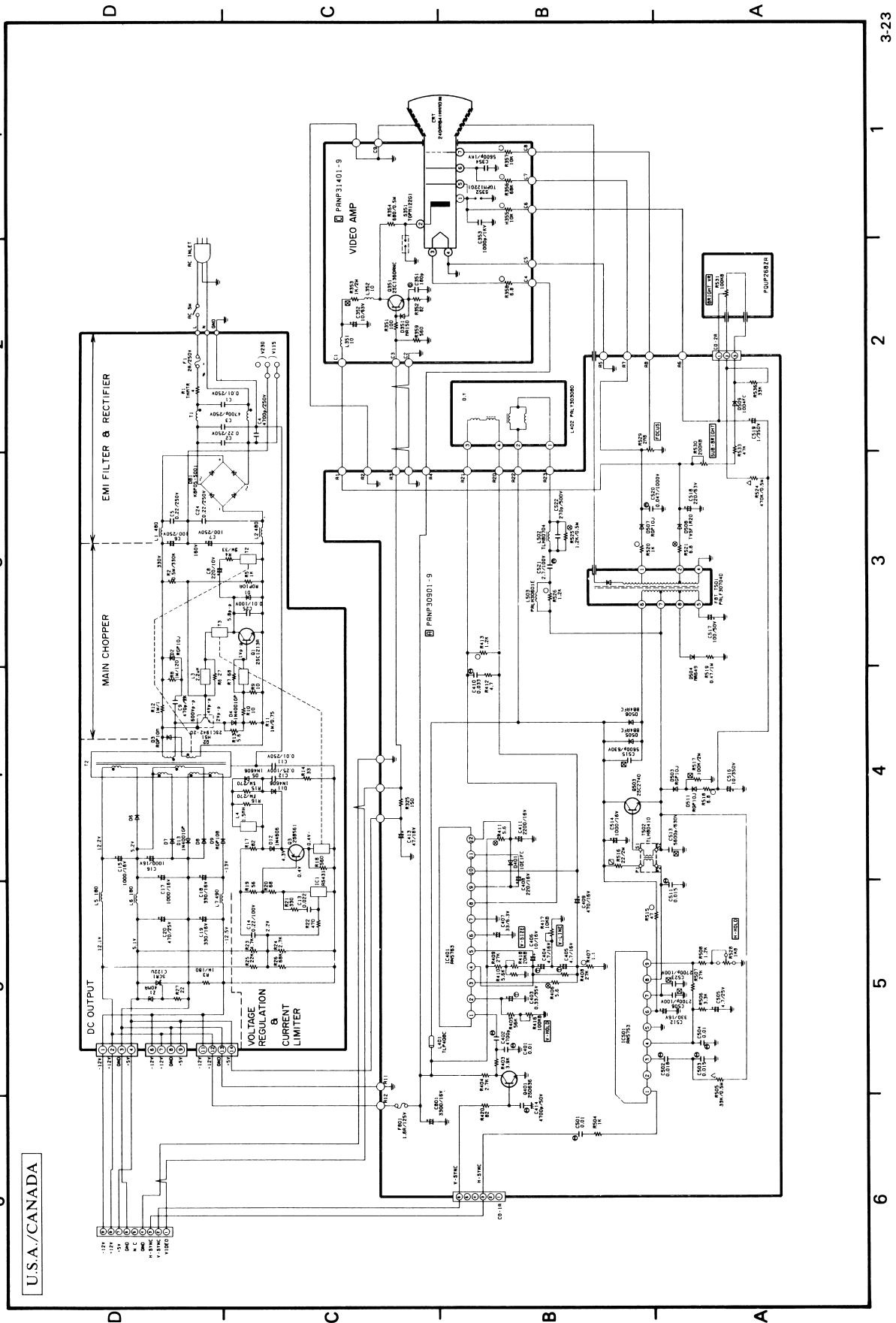
(9) Deflection distortion

Correct the distortion by loosening the 4-pole correction magnet mounting screws and moving the magnet.

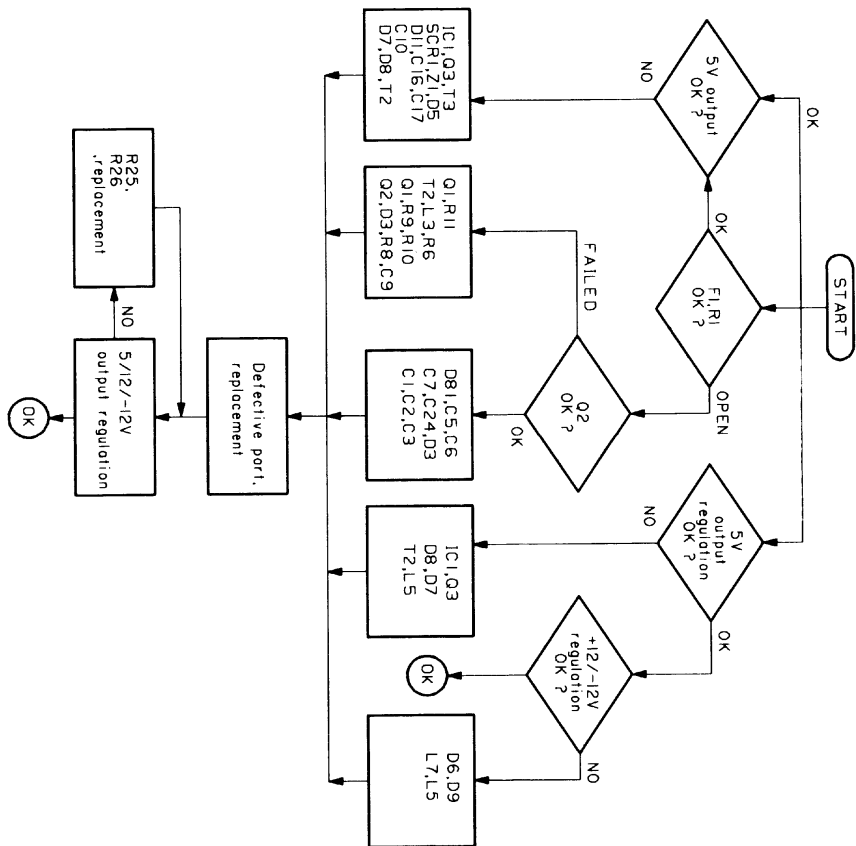


3-21

3-2. CRT/Unit /Power Supply Unit (MATSUSHITA)
3. Circuit Diagram



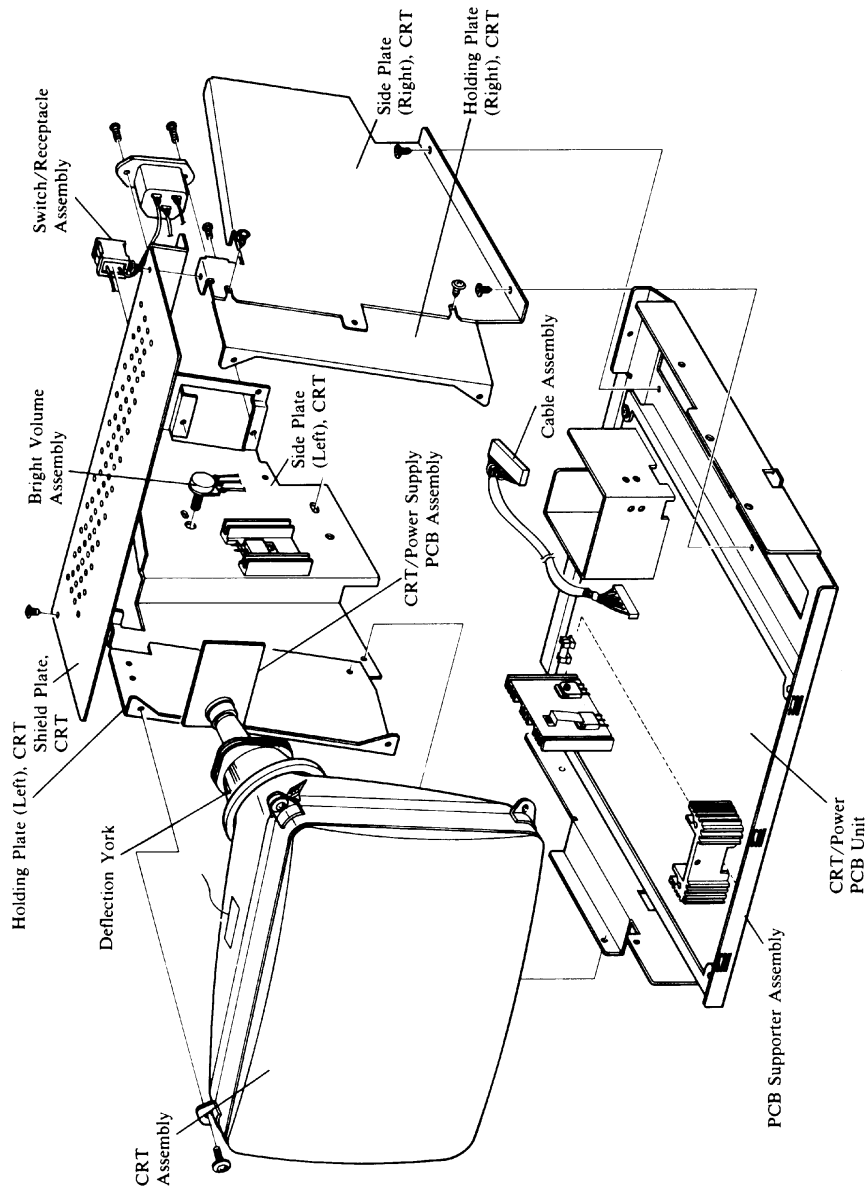
3-2. CRT/Power Supply Unit (MATSUSHITA)
Repairing Flowchart



3-3. CRT/Power Supply Unit (GOLD STAR)

1. Disassembly · Reassembly

Warning: Before disassembly and discharge the High Voltage thoroughly with the procedures on page 3-18.

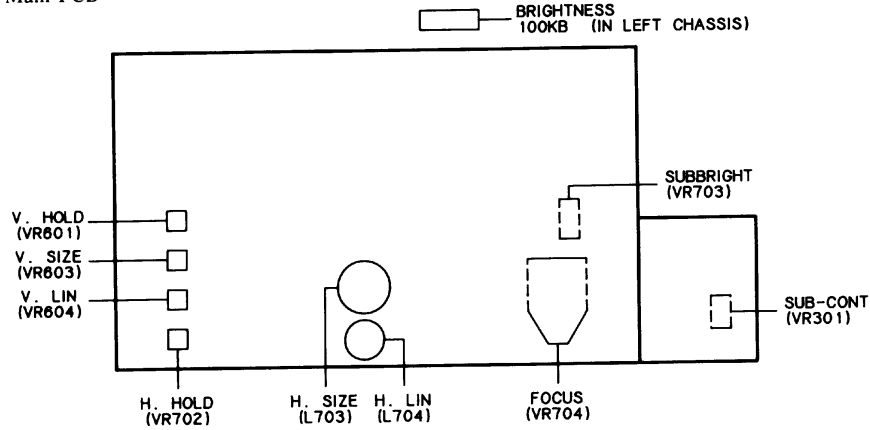


3-25

3-2. CRT/Power Supply Unit (GOLD STAR)

2. Electrical Adjustment

Main PCB



ITEM	ADJUSTMENT POINT	TOOL	CHECK PROGRAM
(1) Horizontal synchronization	VR 702	Adjustment Tool Kit	H Pattern
(2) Vertical synchronization	VR 601	Adjustment Tool Kit	H Pattern
(3) Vertical size	VR 603	Adjustment Tool Kit	H Pattern
(4) Vertical linearity	VR 604	Adjustment Tool Kit	H Pattern
(5) Horizontal size	L 703	Adjustment Tool Kit	H Pattern
(6) Horizontal linearity	L 704	Adjustment Tool Kit	H Pattern
(7) Brightness	100 KB (AT P703)	Adjustment Tool Kit	H Pattern
(8) Focus	VR 704	Adjustment Tool Kit	H Pattern
(9) Contrast	VR 301	Adjustment Tool Kit	H Pattern
(10) Sub-bright	VR 703	Adjustment Tool Kit	H Pattern
(11) Centering		Adjustment Tool Kit	H Pattern
(12) Deflection distortion		Adjustment Tool Kit	H Pattern

Note: Turn on the power and wait for the circuits to stabilize (15 minutes or more) before making any adjustments.

3-26

3-3. CRT/Power Supply Unit (GOLD STAR)

Supplementaly description

For items (1) to (6), refer to page 3-20.

(7) Brightness

(Adjustment purpose)

Adjustment to the point at which the back raster disappear at the BRIGHT VR MAX position.

(Adjustment procedure)

- 1) Set the BRIGHT 100KB (At P703) to max.
- 2) Turn SUB BRIGHT VR703 clockwise and counterclockwise and adjust it to the point at which the back raster disappears.

(8) FOCUS

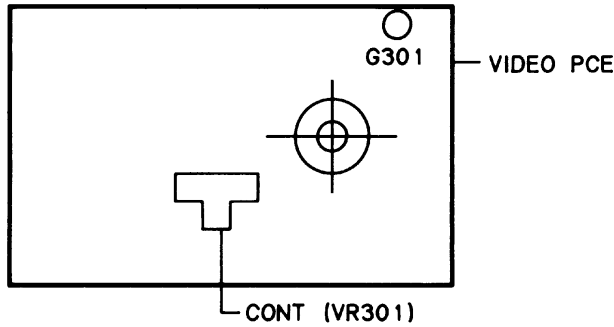
(Adjustment purpose)

Adjustment to the position at which the entire screen is focused uniformly.

(Adjustment procedure)

Turn VR704 clockwise and counterclockwise and adjust it to the position at which the center of the screen is focused uniformly.

(9) Contrast

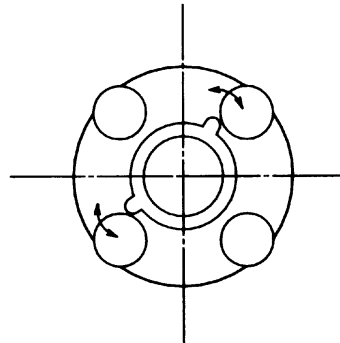
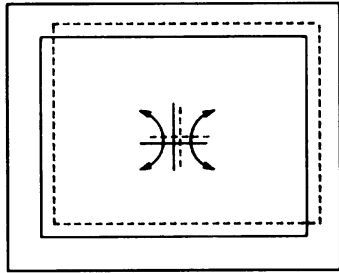


Adjustment point	Method of Adjustment
CONT (VR301)	Adjust to the contrast at which the characters are easy to see.

3-3. CRT/Power Supply Unit (GOLD STAR)

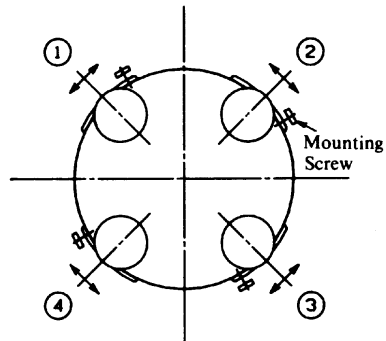
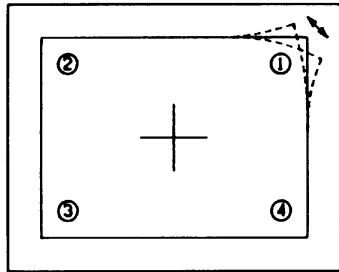
(11) Centering

Adjust the deflection coil centering magnet so that the display area is at the center of the CRT.

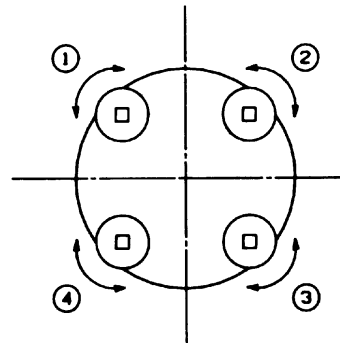
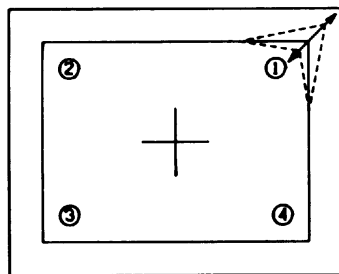


(12) Deflection distortion

① Correct the distortion by loosening the 4-pole correction magnet mounting screws and moving the magnet.



② Correct the distortion by turning the 4-pole correction magnet.

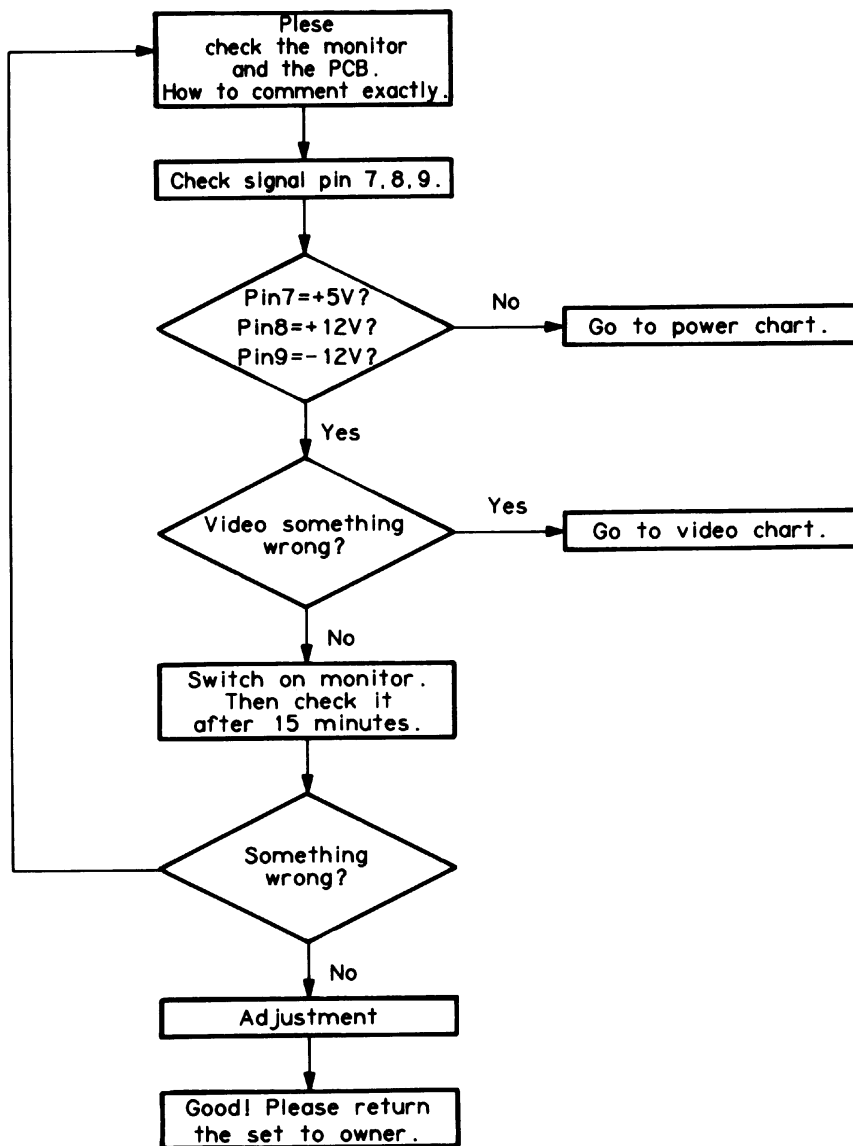


3-28

3.3. CRT/Power Supply Unit (GOLD STAR)

1) Trouble shooting chart

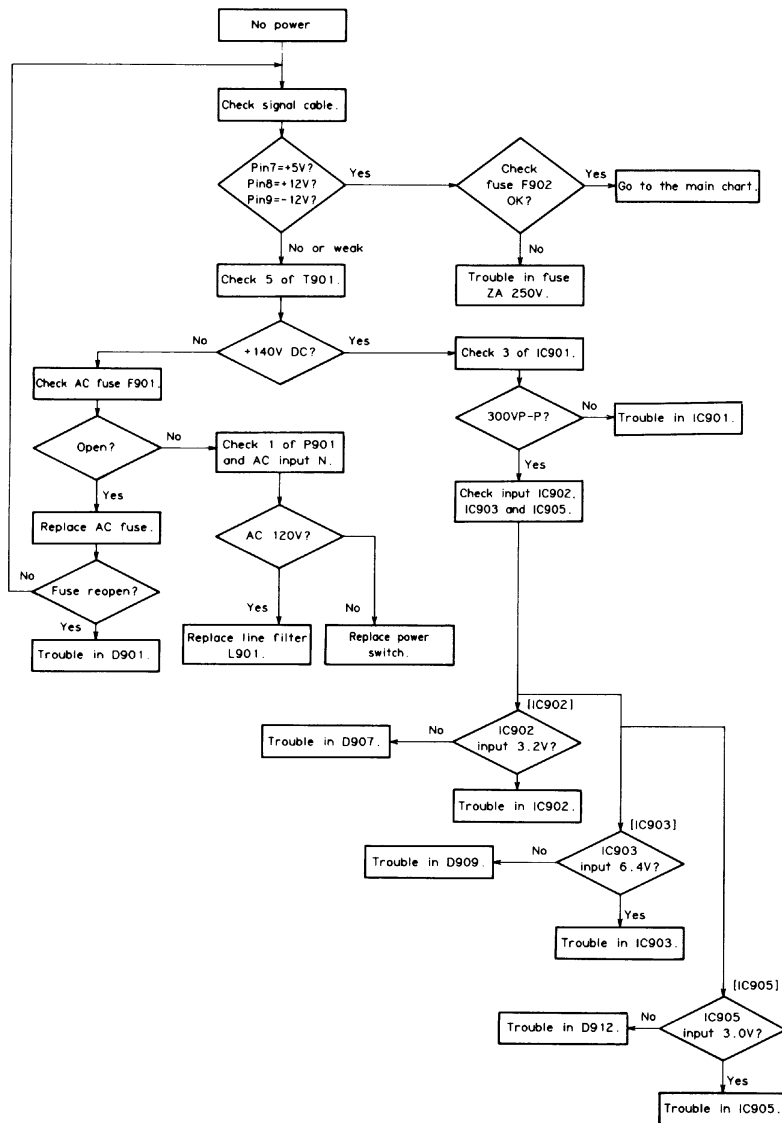
MAIN CHART



3-29

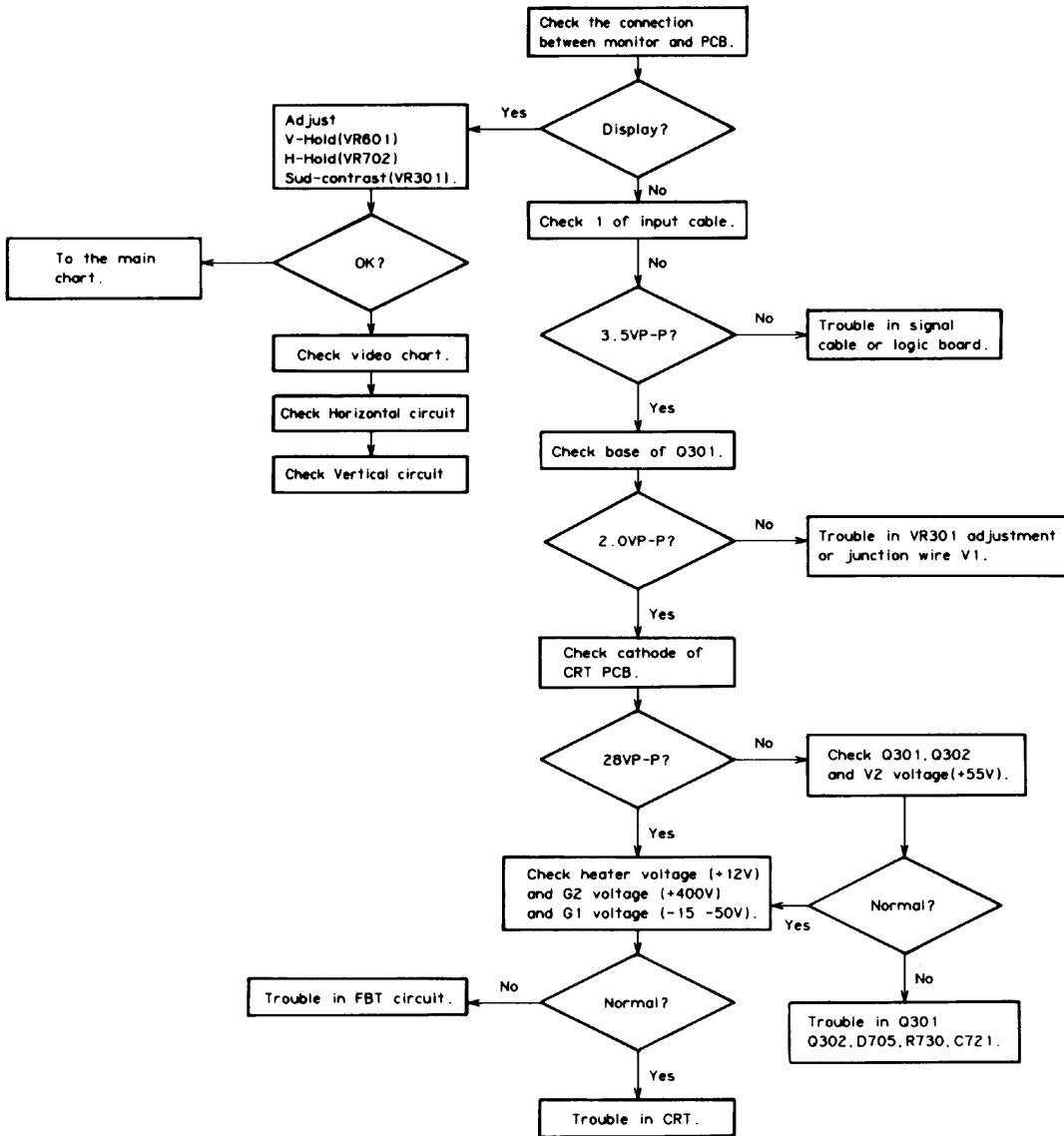
3-3. CRT/Power Supply Unit (GOLD STAR)

POWER CHART

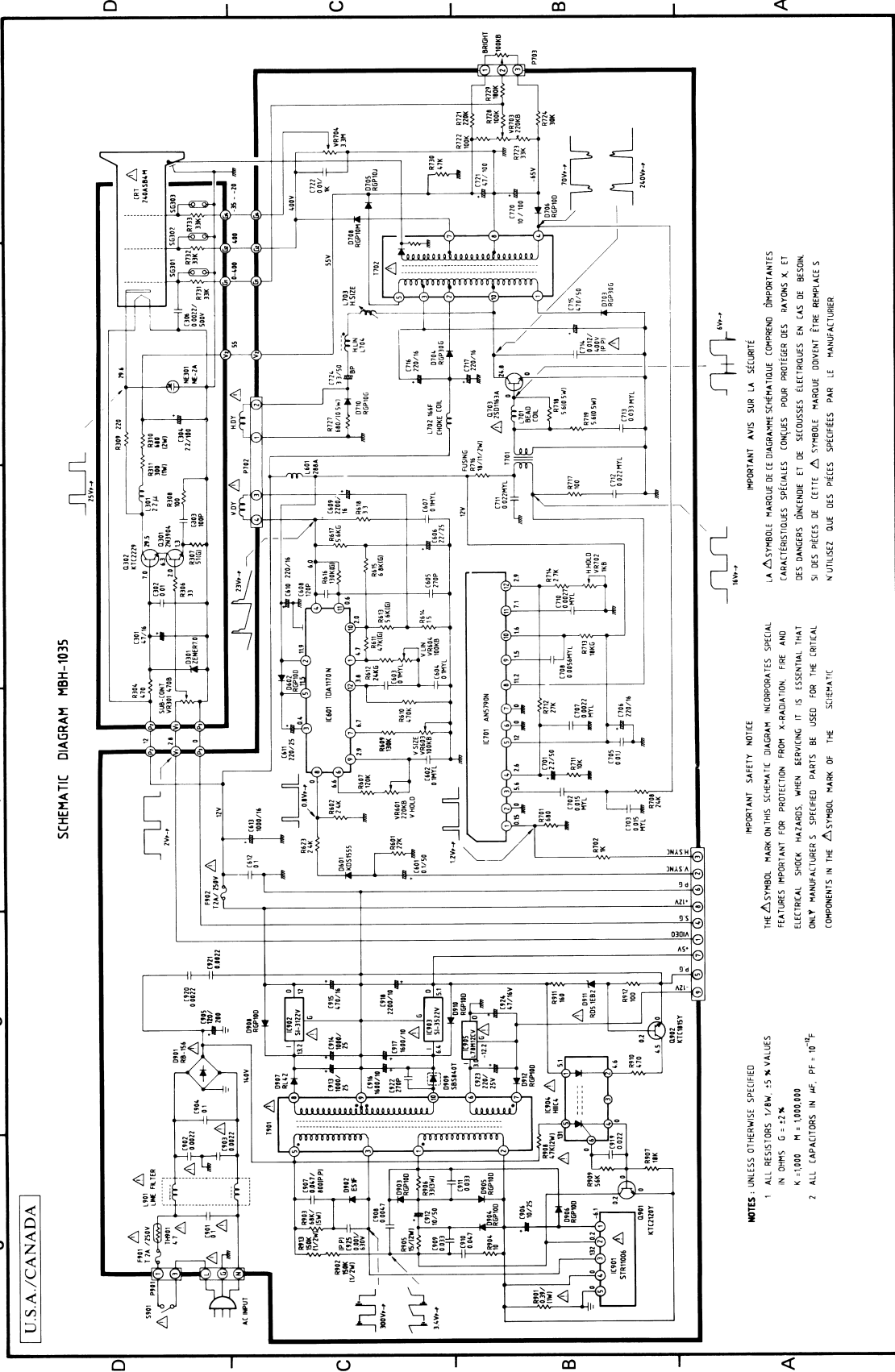


3-3. CRT/Power Supply Unit (GOLD STAR)

VIDEO CHART



3-3. CRT/Power Supply Unit (GOLD STAR)



SCHEMATIC DIAGRAM MBH-1035

U.S.A./CANADA

IMPORTANT SAFETY NOTICE
 THE Δ SYMBOL MARK ON THIS SCHEMATIC DIAGRAM INCORPORATES SPECIAL FEATURES IMPORTANT FOR PROTECTION FROM X-RADIATION, FIRE AND ELECTRICAL SHOCK HAZARDS. WHEN SERVICING IT IS ESSENTIAL THAT ONLY MANUFACTURER'S SPECIFIED PARTS BE USED FOR THE CRITICAL COMPONENTS IN THE Δ SYMBOL MARK OF THE SCHEMATIC.

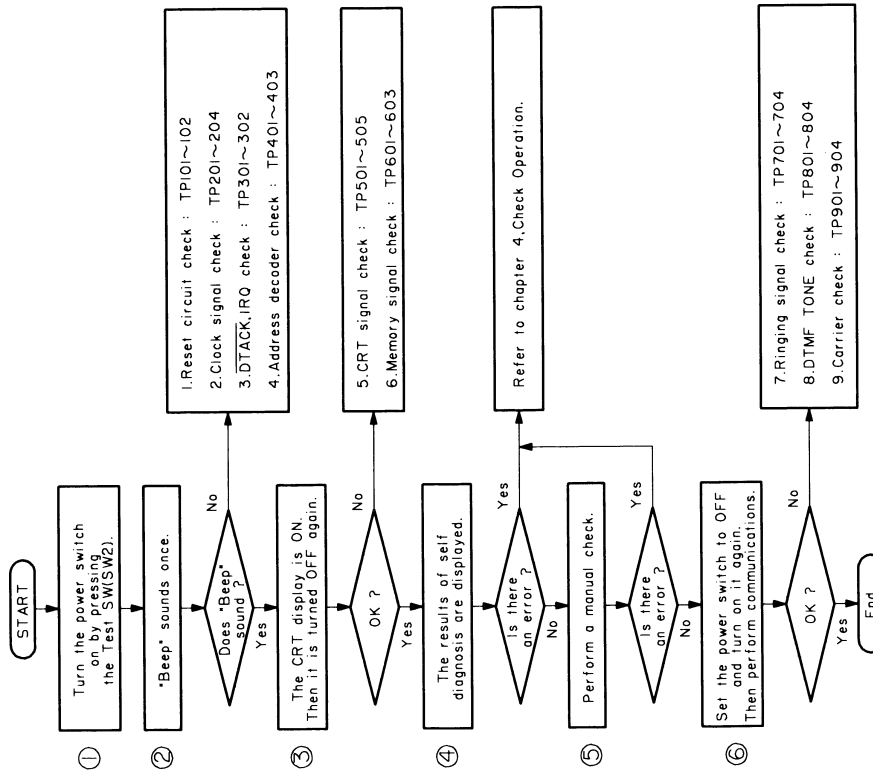
IMPORTANT SAFETY NOTICE
 LE Δ SYMBOLE MARQUE DE CE DIAGRAMME SCHEMATIQUE COMPREND DES CARACTÉRISTIQUES SPÉCIALES CONÇUES POUR PROTÉGER DES RAYONS X, ET DES DANGERS D'INCENDIE ET DE SECOURS ÉLECTRIQUES EN CAS DE BESOIN. SEULS LES PIÈCES DE CETTE Δ SYMBOLE MARQUE DOIVENT ÊTRE REMPLACÉES. UTILISEZ QUE DES PIÈCES SPÉCIFIÉES PAR LE MANUFACTURIER.

NOTES : UNLESS OTHERWISE SPECIFIED
 1. ALL RESISTORS 1/8W - 5% VALUES
 IN OHMS G = 10³
 K = 1000 M = 1000000
 2. ALL CAPACITORS IN μ F, PF = 10⁻⁶F

3-4. CPU PCB Unit

1. Circuit Diagram

To repair the CPU PCB unit, set it in a normal device. (Before setting the CPU PCB unit, confirm that the CPU PCB unit is not strapped.) Then, check it according to the following flowchart.



- ① Use self diagnosis to perform the defective block identification.
- ② After setting the power switch to ON, perform the sum check for the system ROM. As a result, "Beep" sounds once (approx. 450 ms) for OK. If "Beep" does not sound, the ROM sum error or the previous circuit is faulty.
- ③ Because the Gate Array #1 operations are checked visually, the CRT display is turned on and off. If the CRT display is ON, Gate Arrays #1 and 2 and Video RAM are normal. If the display is faulty, the CRT synchronous signal and Gate Arrays #1 and 2, etc., are faulty.
- ④ Take the appropriate countermeasure according to the results of self diagnosis.
- ⑤ Same as the above
- ⑥ If the internal modem is used to generate faulty communications, check circuits 7 to 9. The main purposes of each element are shown below.
 - RAV (arrester & varistor) : lightning protection element
 - ZD2 & ZD3 : Prevents ring-detection malfunctions (Removes noise of less than 15 V).
 - VZ2 : lightning protection element
 - SVR1 : Controls the carrier to prevent the level from exceeding the standard level when sending the carrier from the internal modem to the telephone line.
 - VR1 : Adjusts the DT MF sending level. } Not used
 - VR2 : Adjusts the carrier level. }

3-4. CPU PCB Unit

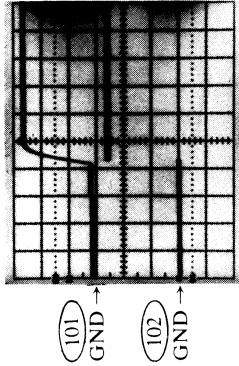
Gate Array #1

No.	Terminal	I/O	I/O	Terminal	No.
1	UDS	0	0	VDD	64
2	LDS	0	0	R/W	63
3	AS	0	0	HSYNC	62
4	VDD	0	0	VSYNC	61
5	20M	0	0	CS.V/C	60
6	3.68M	0	0	RAM ROM CS	59
7	XI	1	1	RESET	58
8	XO	0	0	IOCS	57
9	CPUCK	0	0	LDPS	56
10	2.45M	0	0	RD	55
11	GND	0	1	A22	54
12	VPA	0	0	WR	53
13	DTACK	0	1	A23	52
14	A18	1	0	CAS3	51
15	A16	1	0	CAS2	50
16	A15	1	0	CAS1	49
17	A13	1	0	CAS0	48
18	A14	1	1	A21	47
19	A8	1	0	WEH	46
20	A9	1	1	MODE	45
21	A7	1	0	WEL	44
22	A10	1	1	GND	43
23	A16	1	1	TEST	42
24	A12	1	0	RAS	41
25	A5	1	0	MA0	40
26	A17	1	0	MA6	39
27	A4	1	0	MA1	38
28	A11	1	0	MA5	37
29	A3	1	0	MA2	36
30	A2	1	0	MA4	35
31	A1	1	0	MA3	34
32	GND	1	0	MA7	33

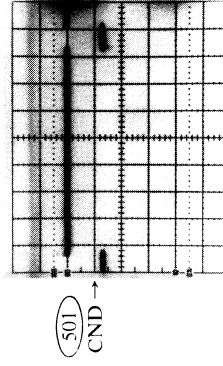
Gate Array #2

No.	Terminal	I/O	I/O	Terminal	No.
1	SMCS	0	0	VDD	64
2	KTOBF	0	0	IOCS1	63
3	OFF HOOK	0	1	PFAIL	62
4	PHONE	0	1	RESET	61
5	RAM CS	0	0	DUART CS	60
6	SVCS1	0	1	LDS	59
7	SVCS0	0	1	UDS	58
8	ROM CS1	0	0	NMI	57
9	ROM CS0	0	1	ROM SIZE	56
10	D15	1	0	CS V/C	55
11	D14	1	0	RAM ROM CS	54
12	D8	1	0	IOCS0	53
13	D13	1	0	MD15	52
14	D9	1	0	MD12	51
15	D12	1	0	MD13	50
16	GND	1	0	GND	49
17	D10	1	0	MD14	48
18	D11	1	0	MD11	47
19	D7	1	0	MD8	46
20	D6	1	0	MD9	45
21	D0	1	0	MD10	44
22	D5	1	0	MD7	43
23	D1	1	0	MD4	42
24	D4	1	0	MD5	41
25	D2	1	0	MD5	40
26	D3	1	0	MD3	39
27	A18	1	1	MD0	38
28	A17	1	1	MD1	37
29	A16	1	1	MD2	36
30	20M	1	1	LDPS	35
31	VIDEO	0	1	A21	34
32	GND	1	1	R/W	33

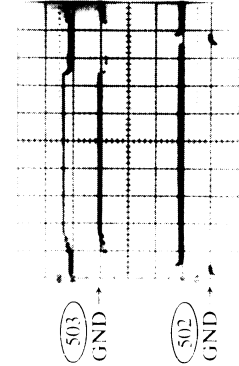
SOURCES	CH1	CH2
TEST POINT	101	102
VOLT/DIV	2V/DC	2V/DC
TIME/DIV	0.1 sec	
TRIGGER	CH1 ↘	



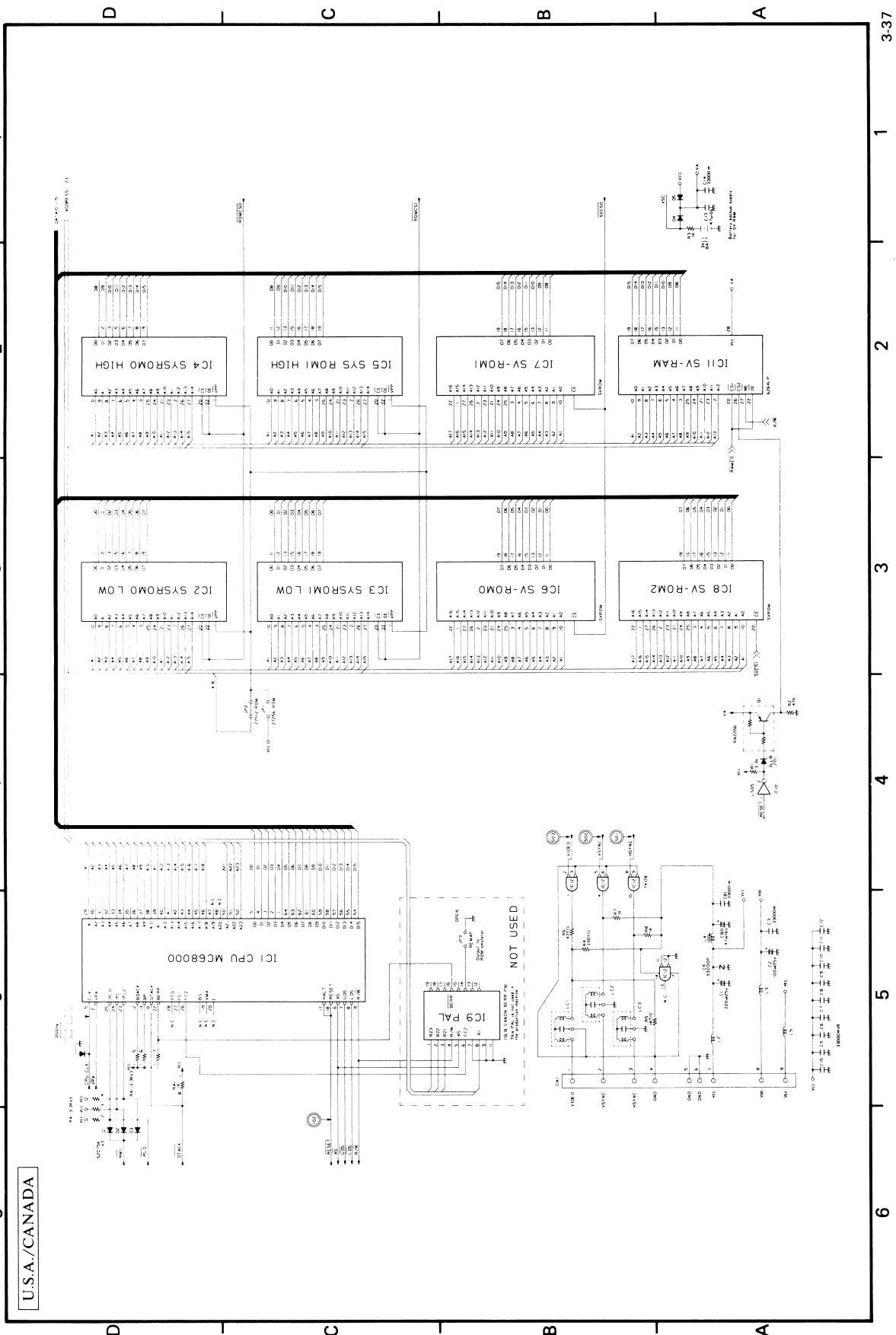
SOURCES	CH1	CH2
TEST POINT	501	
VOLT/DIV	5V/DC	
TIME/DIV	5 μs	
TRIGGER	CH1 ↘	



SOURCES	CH1	CH2
TEST POINT	503	502
VOLT/DIV	5V/DC	5V/DC
TIME/DIV	2ms	
TRIGGER		



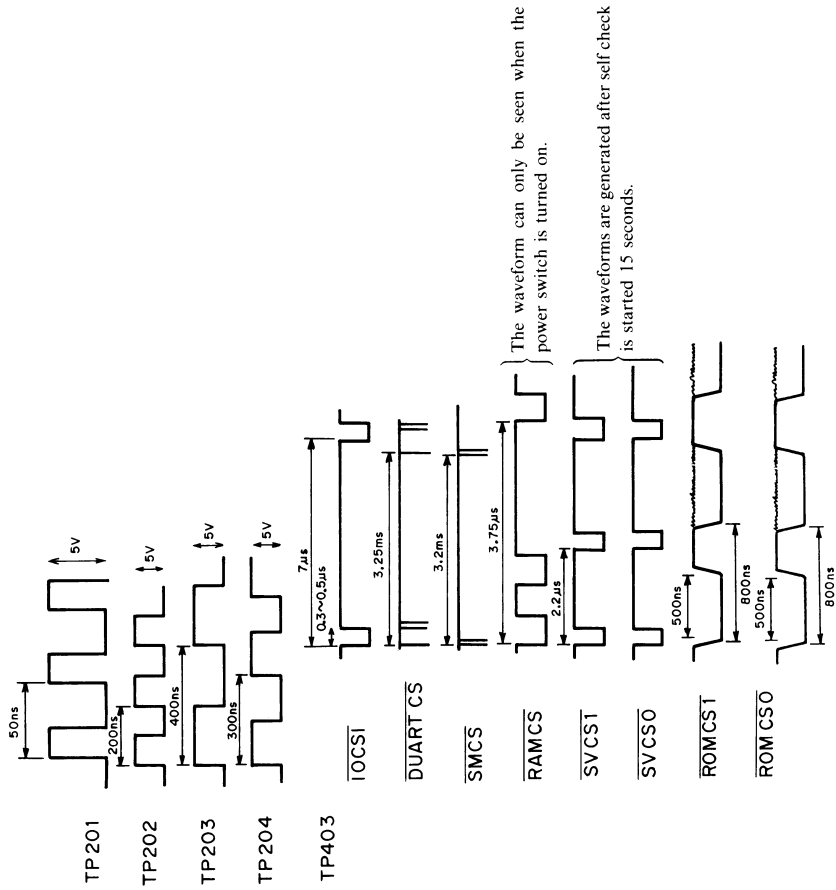
3-4. CPU PCB Unit



U.S.A./CANADA

3-4. CPU PCB Unit

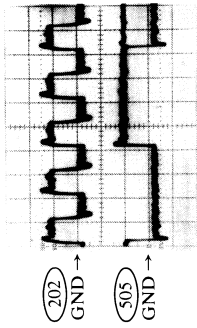
The waveforms after the completion of initialization



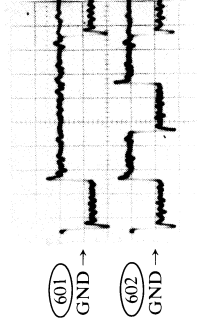
The waveform can only be seen when the power switch is turned on.

The waveforms are generated after self check is started 15 seconds.

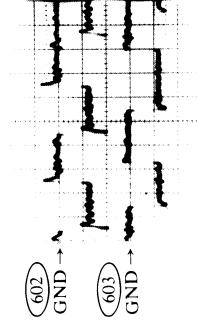
SOURCES	CH1	CH2
TEST POINT	202	505
VOLT/DIV	5V DC	5V DC
TIME/DIV	100 ns	
TRIGGER	CH2	CH2



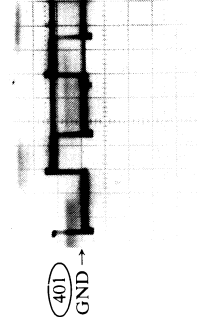
SOURCES	CH1	CH2
TEST POINT	601	602
VOLT/DIV	5V DC	5V DC
TIME/DIV	100 ns	
TRIGGER	CH1	CH1



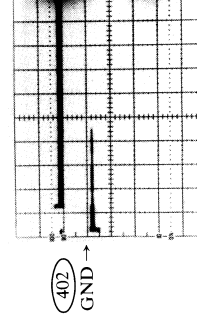
SOURCES	CH1	CH2
TEST POINT	602	603
VOLT/DIV	5V DC	5V DC
TIME/DIV	100 ns	
TRIGGER	EXT. TP601	



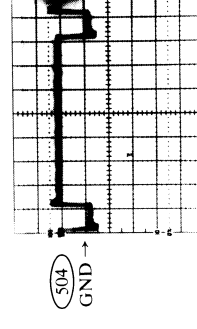
SOURCES	CH1	CH2
TEST POINT	401	
VOLT/DIV	5V DC	
TIME/DIV	200 ns	
TRIGGER	CH1	



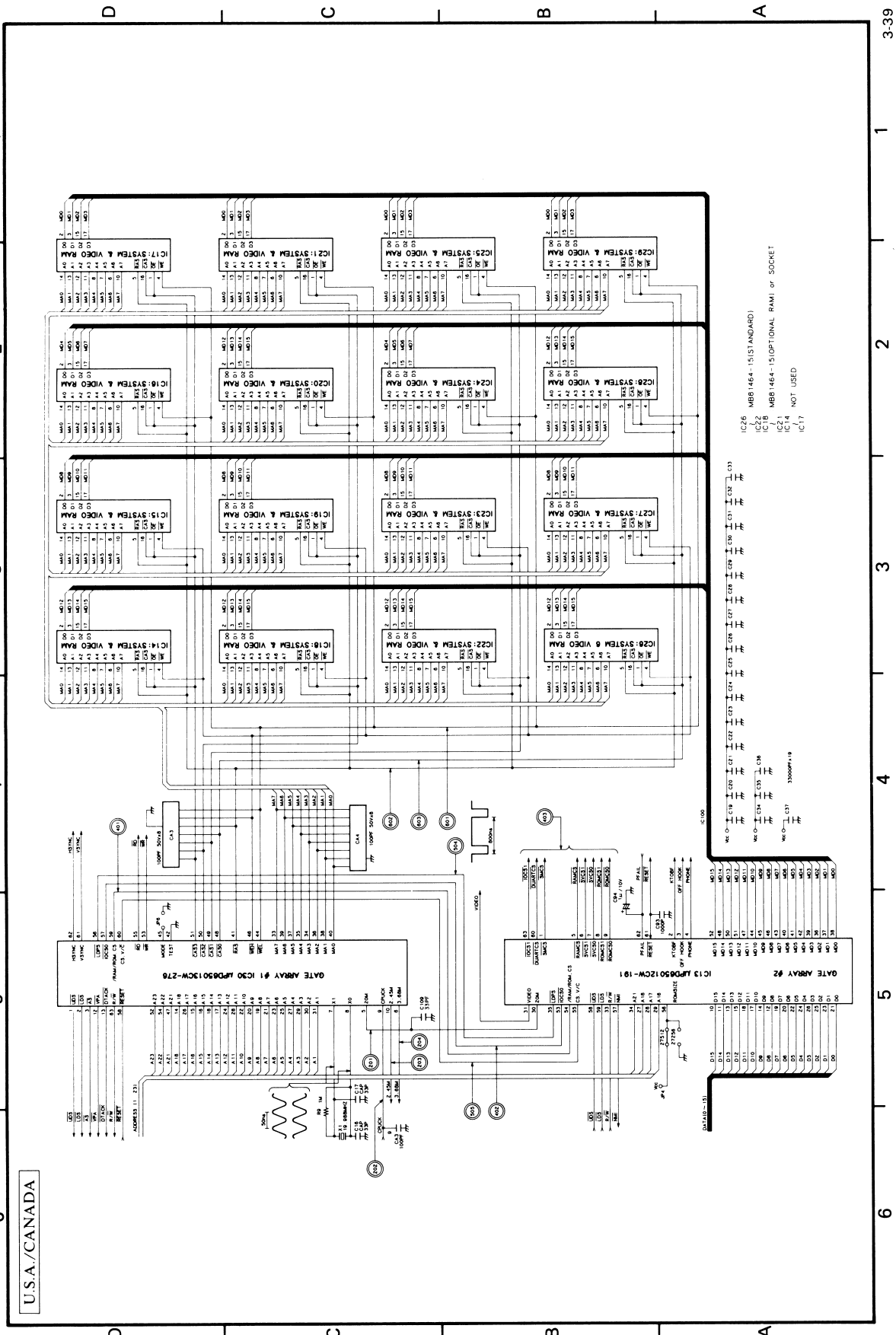
SOURCES	CH1	CH2
TEST POINT	402	
VOLT/DIV	5V DC	
TIME/DIV	0.5 µs	
TRIGGER	CH1	



SOURCES	CH1	CH2
TEST POINT	504	
VOLT/DIV	5V DC	
TIME/DIV	0.1 µs	
TRIGGER	CH1	



3-4. CPU PCB Unit



U.S.A./CANADA

3-4. CPU PCB Unit

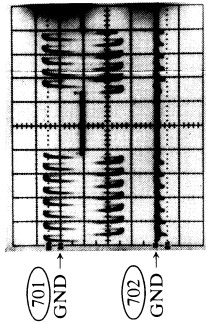
Waveform Observation Conditions

Connect the telephone and the line to the jacks respectively, and observe the following waveforms.

- a Ring tone signal at answering
- b Waveforms when setting Dial Pulse "3" at transmission to Auto Dial
- c Ring tone signal at answering
- d Waveforms do not appear during the standby period.
The waveforms can only be seen during DTMF operation.
These waveforms are generated when the DTMF tone is used for Auto Dial.
- e Waveforms when the DTMF tone for automatically dial "2".
- f Waveforms when the carrier is received 1200 bps : PSK
- g Waveforms when the carrier is received 300 bps : FSK
- h Receiving carrier and waveforms after demodulation

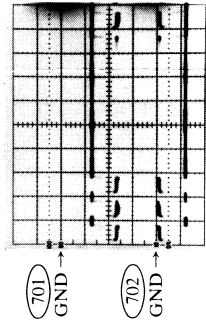
a

SOURCES	CH1	CH2
TEST POINT	701	702
VOLT/DIV	50V DC	50V DC
TIME/DIV	0.1 s	
TRIGGER	CH1 ↕	



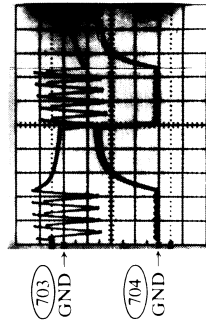
b

SOURCES	CH1	CH2
TEST POINT	701	702
VOLT/DIV	20V DC	20V DC
TIME/DIV	0.1 s	
TRIGGER	CH1 ↕	



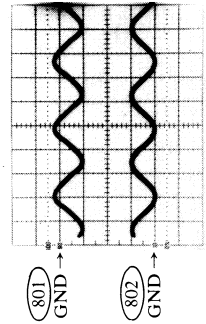
c

SOURCES	CH1	CH2
TEST POINT	703	704
VOLT/DIV	20V AC	2V DC
TIME/DIV	0.1 s	
TRIGGER	CH1 ↕	



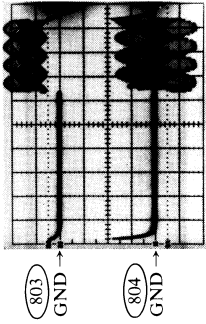
d

SOURCES	CH1	CH2
TEST POINT	801	802
VOLT/DIV	5V DC	5V DC
TIME/DIV	100 ns	
TRIGGER	CH1 ↕	



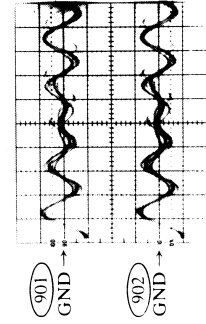
e

SOURCES	CH1	CH2
TEST POINT	803	804
VOLT/DIV	2V DC	2V DC
TIME/DIV	20 ms	
TRIGGER	CH1 ↕	



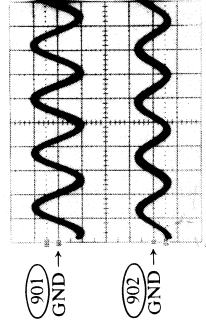
f

SOURCES	CH1	CH2
TEST POINT	901	902
VOLT/DIV	2V AC	2V AC
TIME/DIV	0.2 ms	
TRIGGER	CH1 ↕	



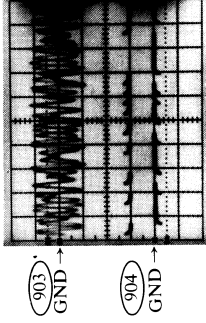
g

SOURCES	CH1	CH2
TEST POINT	901	902
VOLT/DIV	0.5V AC	2V AC
TIME/DIV	0.2 ms	
TRIGGER	CH1 ↕	

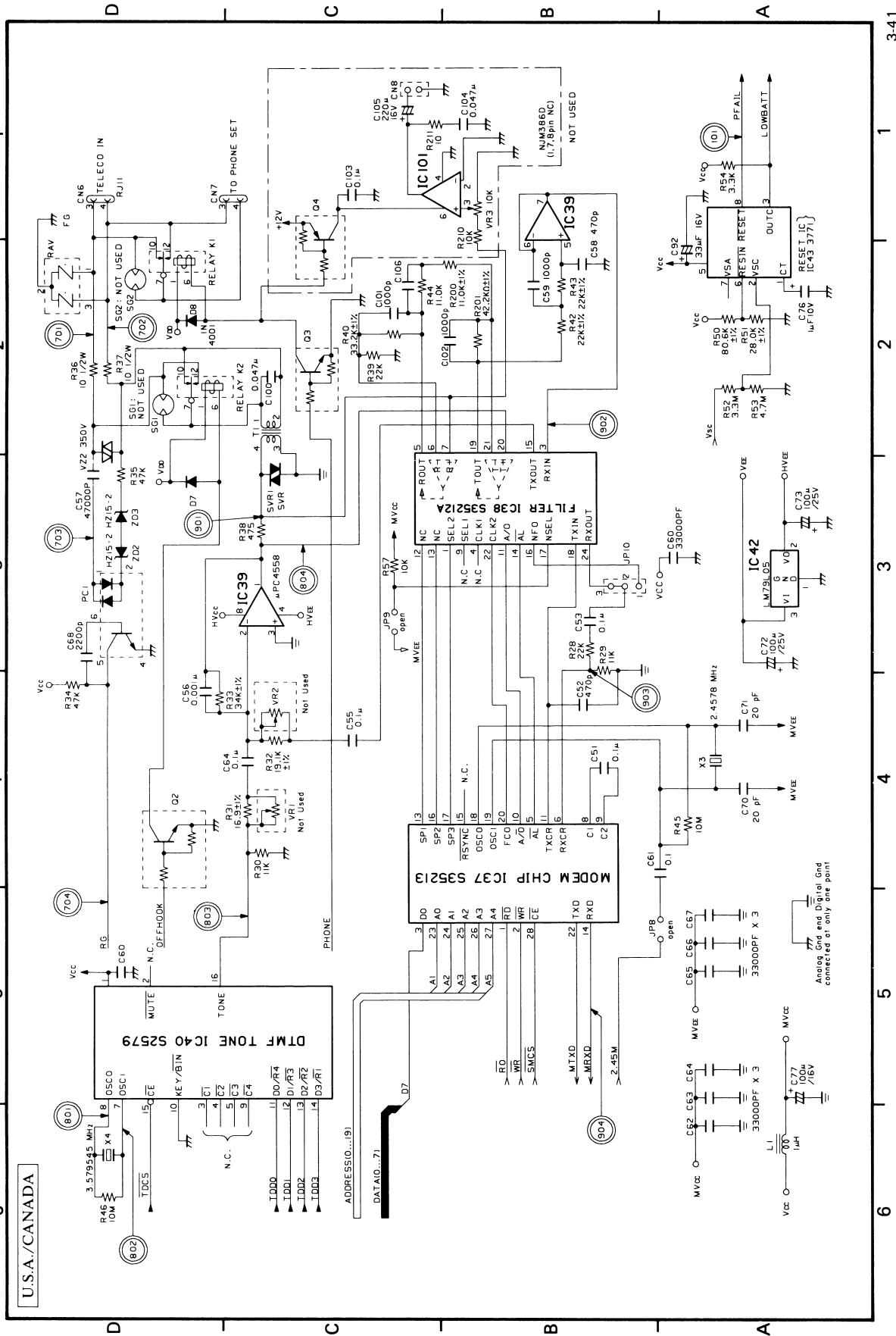


h

SOURCES	CH1	CH2
TEST POINT	903	904
VOLT/DIV	0.2V AC	5V DC
TIME/DIV	2 ms	
TRIGGER	CH2 ↕	



3-4. CPU PCB Unit



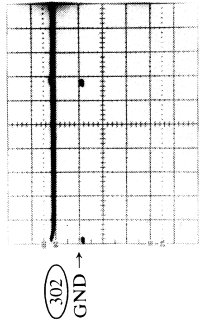
"RaskinDoc062_3-41.PICT" 1030 KB 2000-02-25 dpi: 800h x 800v pix: 6123h x 8517v

3-4. CPU PCB Unit

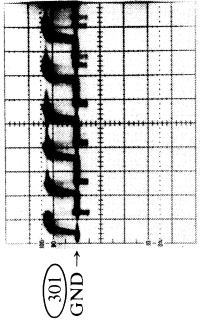
Gate Array #3

No.	Terminal	I/O	I/O	Terminal	No.
1	PE	1	—	VDD	64
2	IPP	0	0	SIDE 1	63
3	SLCT/ERR	1	1	READY	62
4	CD7	0	1	WRP	61
5	CD6	0	1	R DATA	60
6	CD5	0	0	W Gata	59
7	CD4	0	1	TRK 00	58
8	CD3	0	0	STEP	57
9	CD2	0	0	W DATA	56
10	CD1	0	0	MON	55
11	CD0	0	0	DIR	54
12	DSTB	0	0	DS0	53
13	LOW BATT	1	1	INDEX	52
14	TEST	1	—	VDD	51
15	GND	—	1	KBD 0	50
16	A1	1	1	KBD 1	49
17	A2	1	1	KBD 2	48
18	A3	1	1	KBD 3	47
19	A4	1	1	KBD 4	46
20	RESET	1	1	KBD 5	45
21	R/W	1/0	1	KBD 6	44
22	D0	1/0	1	KBD 7	43
23	D1	1/0	0	KSTB 0	42
24	D2	1/0	0	KSTB 1	41
25	D3	1/0	0	KSTB 2	40
26	D4	1/0	0	KSTB 3	39
27	D5	1/0	0	KSTB 4	38
28	D6	1/0	0	KSTB 5	37
29	D7	1/0	0	KSTB 6	36
30	IO CS1	1	0	KSTB 7	35
31	CPUCK	1	0	CC	34
32	GND	—	0	LEDE	33

SOURCES	CH1	CH2
TEST POINT	302	
VOLT/DIV	5V DC	
TIME/DIV	0.5 ms	
TRIGGER	CHI	CHI

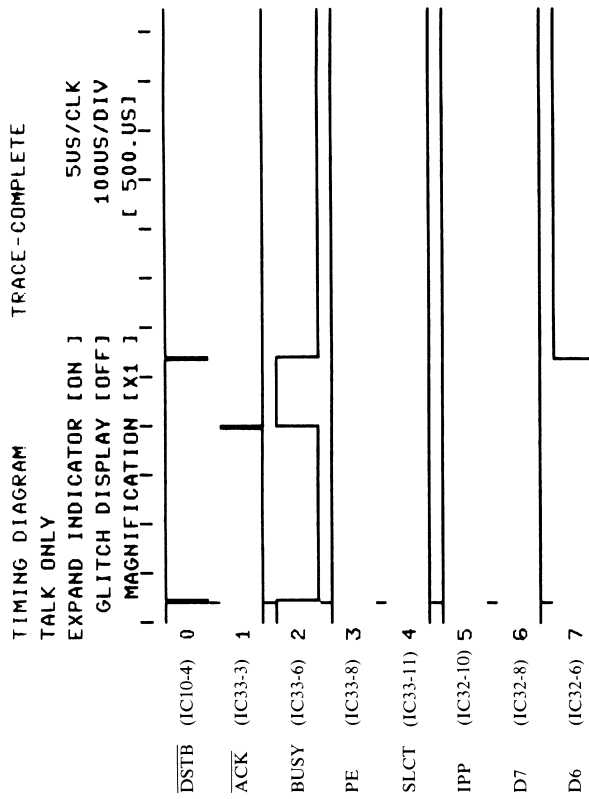


SOURCES	CH1	CH2
TEST POINT	301	
VOLT/DIV	5V DC	
TIME/DIV	0.5 μs	
TRIGGER	CHI	CHI



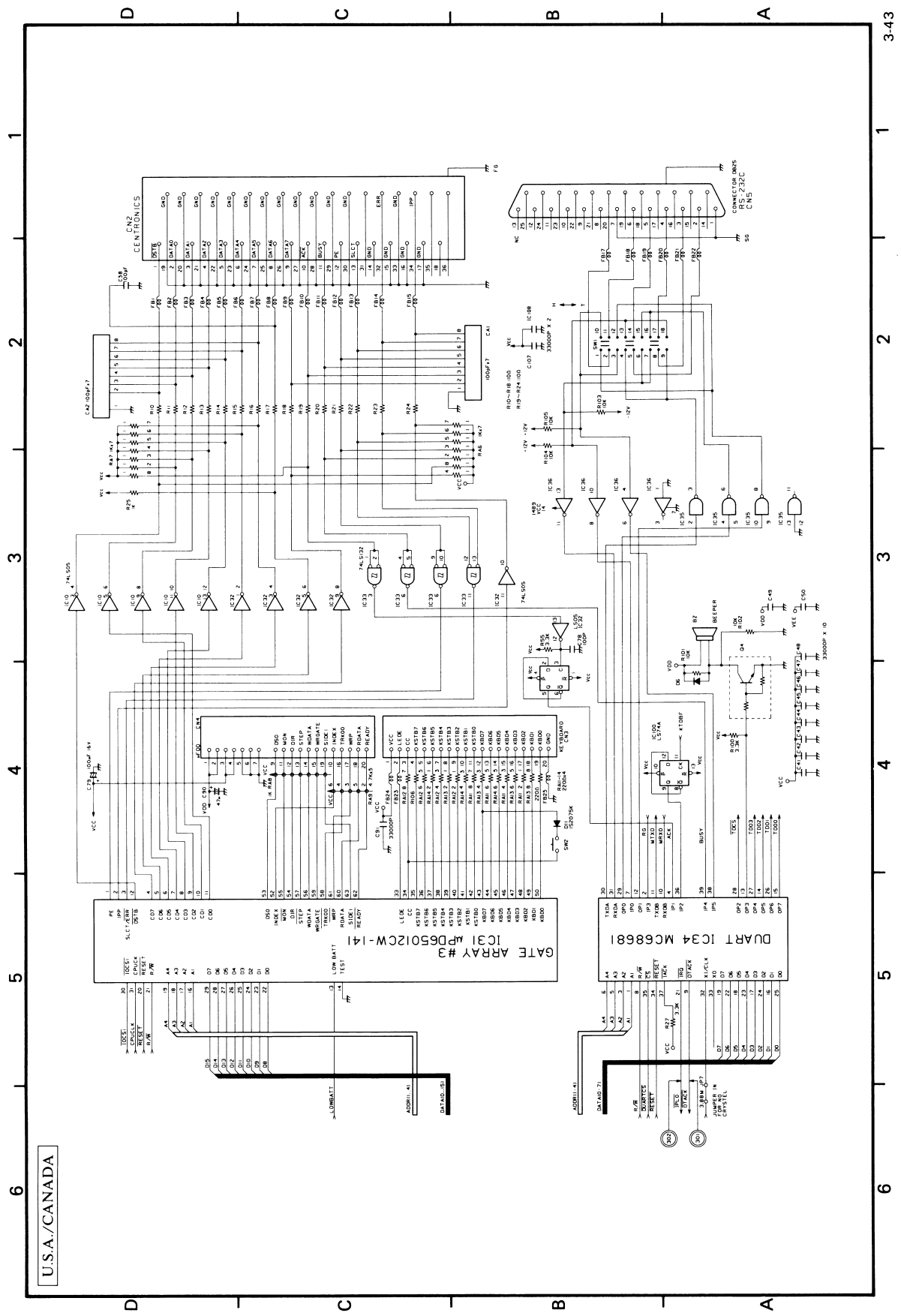
CENTRONICS I/F

Waveforms when "j" is printed (D5 to D0 are omitted)



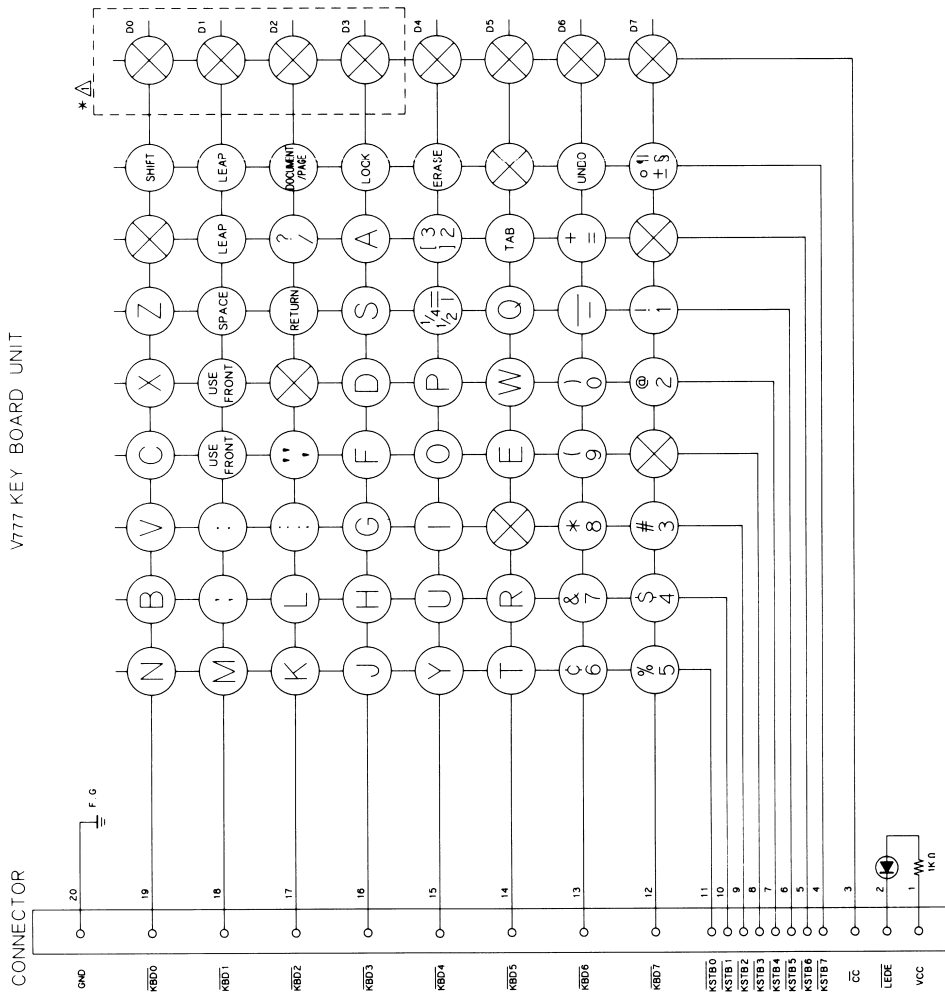
3-4. CPU PCB Unit

U.S.A./CANADA

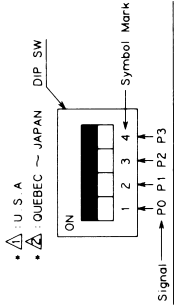


3-5. Keyboard Unit

1. Keyboard Circuit (U.S.A./Canada/Asia/Oceania)

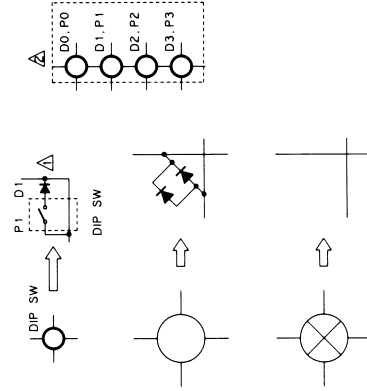


* Note: For countries other than U.S.A., set the country code using the DIP SW.



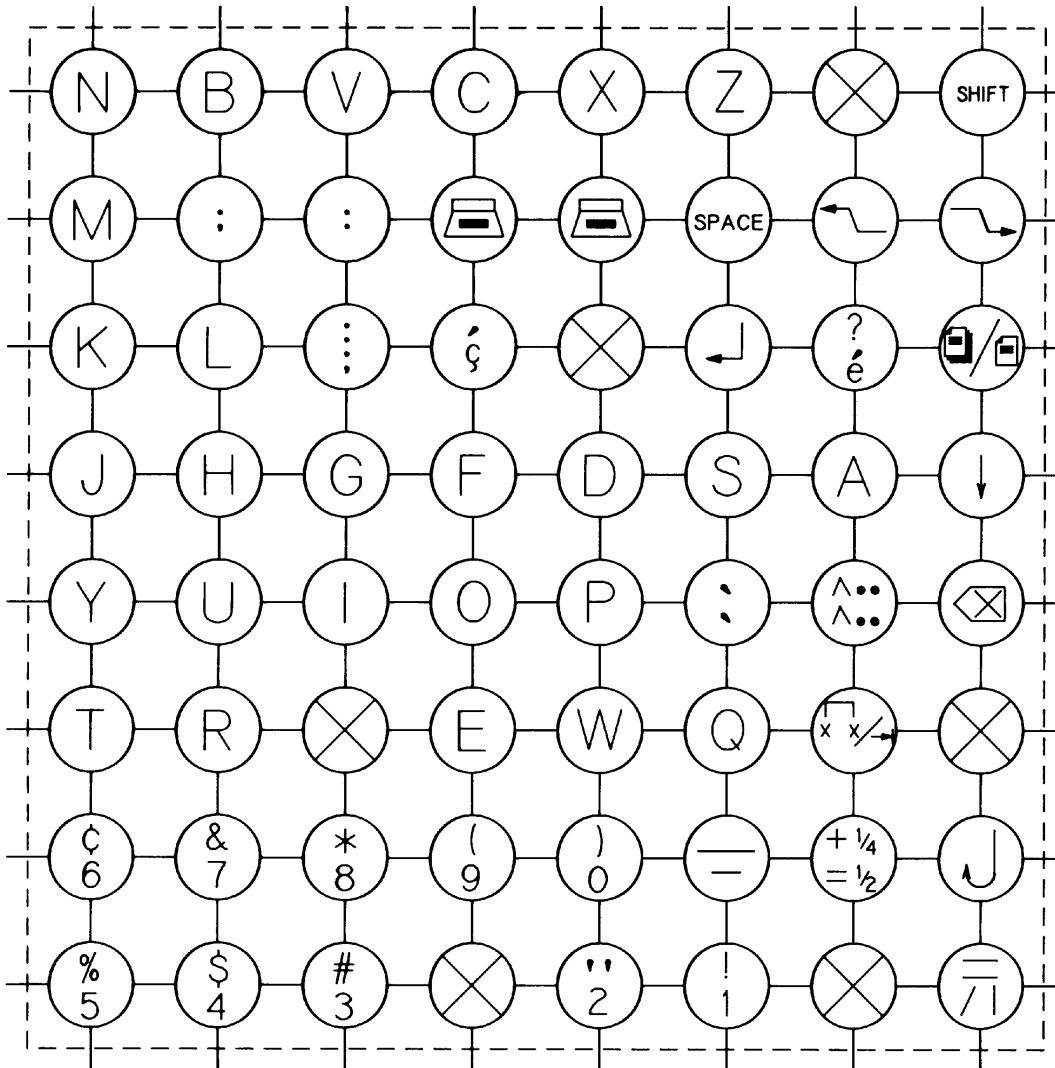
N.O.	Destination	DIP SW				Diode			
		P0	P1	P2	P3	D0	D1	D2	D3
1	U.S.A.	1	0	0	0	⊗	⊗	⊗	⊗
2	Quebec	1	0	0	0	⊗	⊗	⊗	⊗
3	Latin	0	0	1	0	⊗	⊗	⊗	⊗
4	Norway	1	1	0	0	⊗	⊗	⊗	⊗
5	Denmark	1	0	1	0	⊗	⊗	⊗	⊗
6	Sweden	0	1	0	0	⊗	⊗	⊗	⊗
7	Netherlands	1	0	0	1	⊗	⊗	⊗	⊗
8	W. Germany	0	0	0	1	⊗	⊗	⊗	⊗
9	Switzerland	0	1	1	0	⊗	⊗	⊗	⊗
10	France	0	0	1	0	⊗	⊗	⊗	⊗
11	U.K.	0	1	0	0	⊗	⊗	⊗	⊗
12	Spain	0	1	0	1	⊗	⊗	⊗	⊗
13	Italy	1	1	0	1	⊗	⊗	⊗	⊗
14	S. Africa	1	0	1	0	⊗	⊗	⊗	⊗
15	Japan	1	1	1	0	⊗	⊗	⊗	⊗

1...ON Position ⊗ ... Diode
0...OFF Position ⊙ ... No Diode



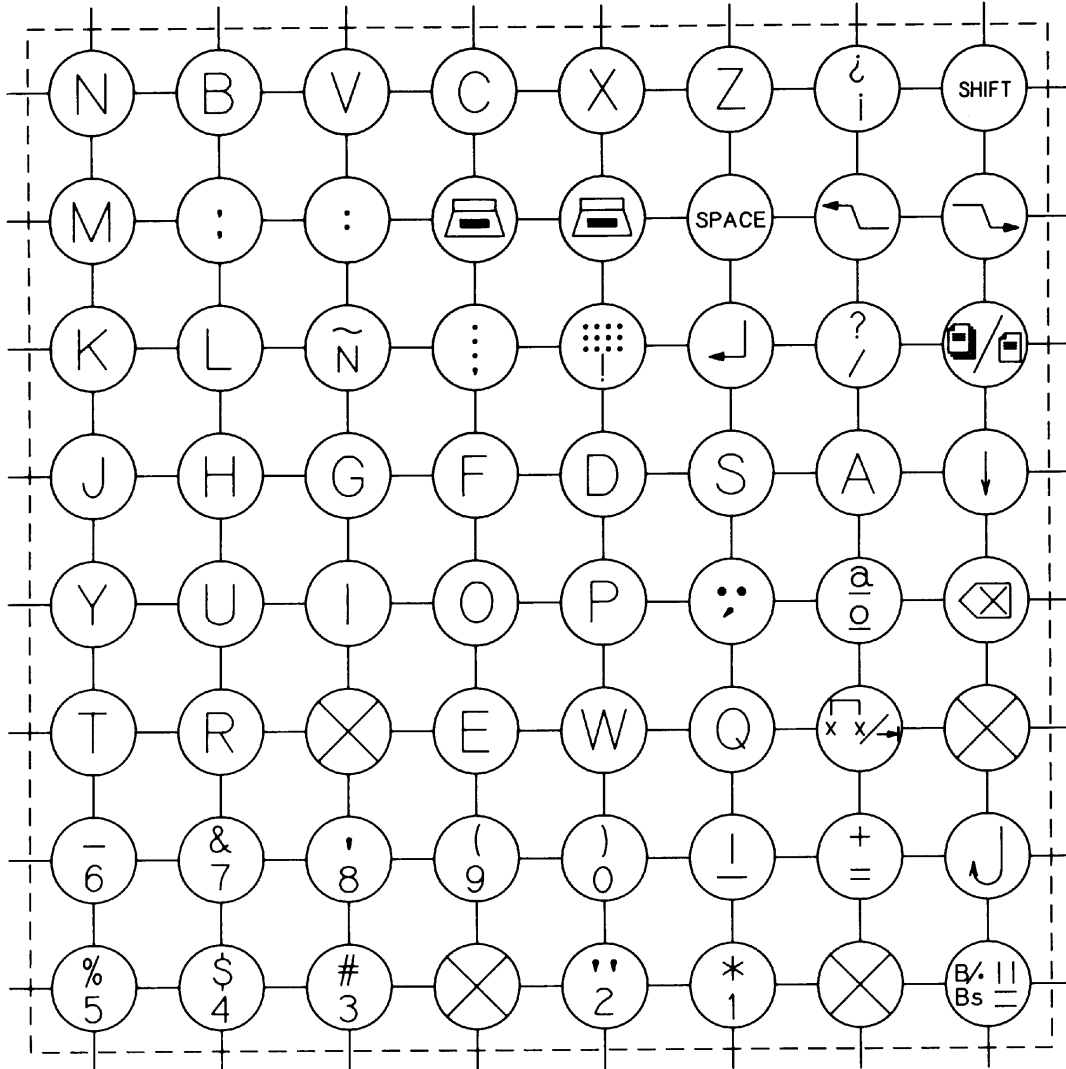
3-5. Keyboard Unit

2. Keyboard Circuit (Quebec)



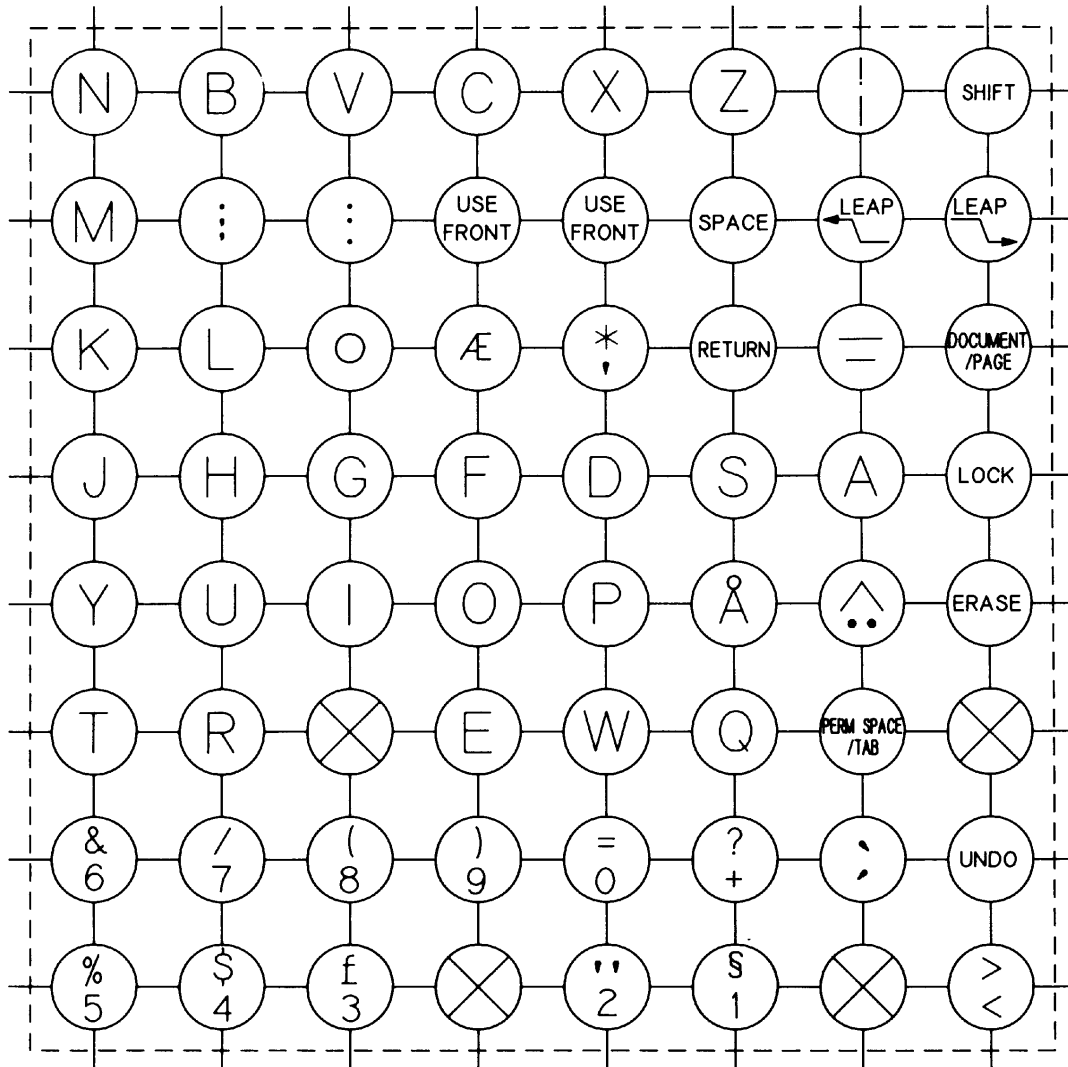
3-5. Keyboard Unit

3. Keyboard Circuit (Latin)



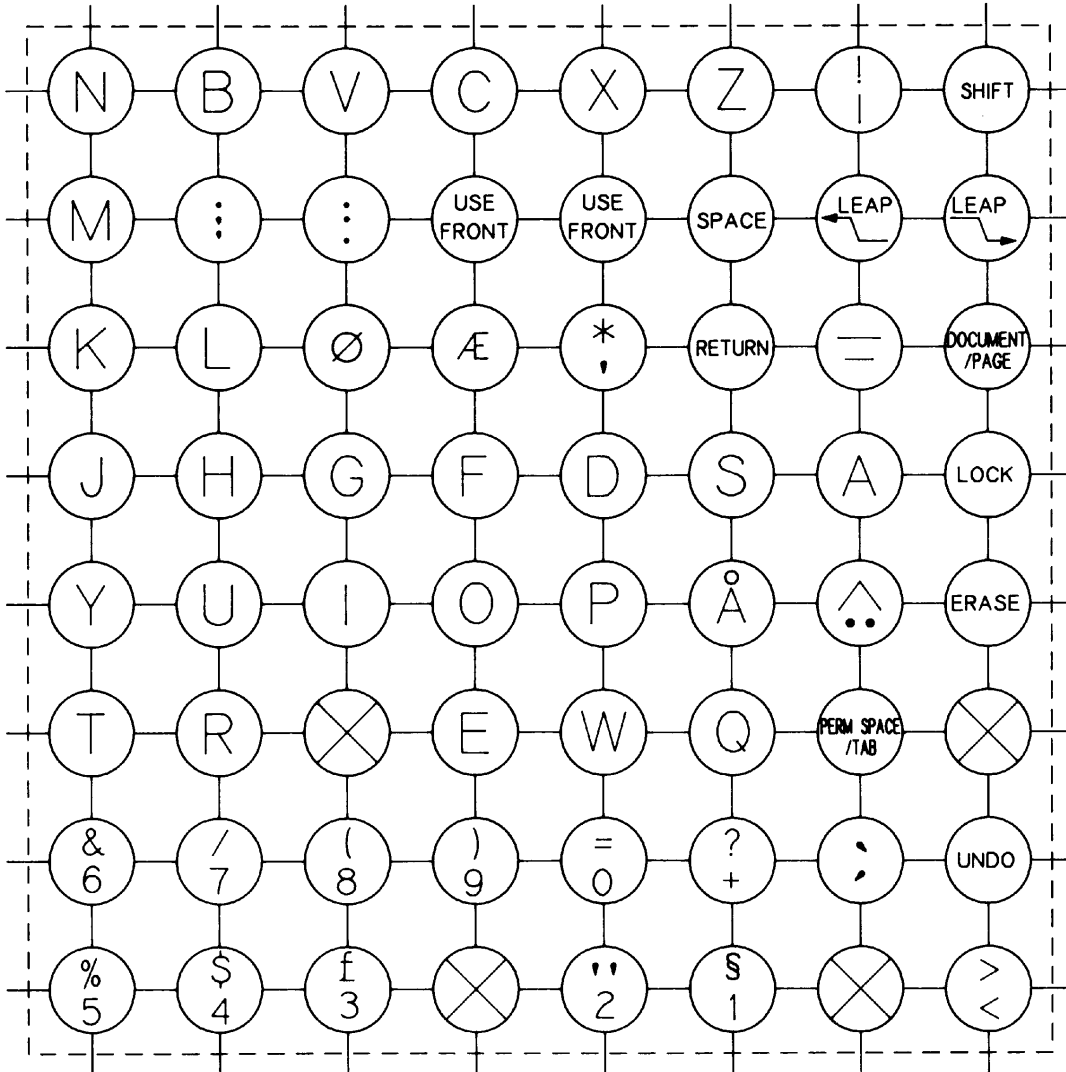
3-5. Keyboard Unit

4. Keyboard Circuit (Norway)



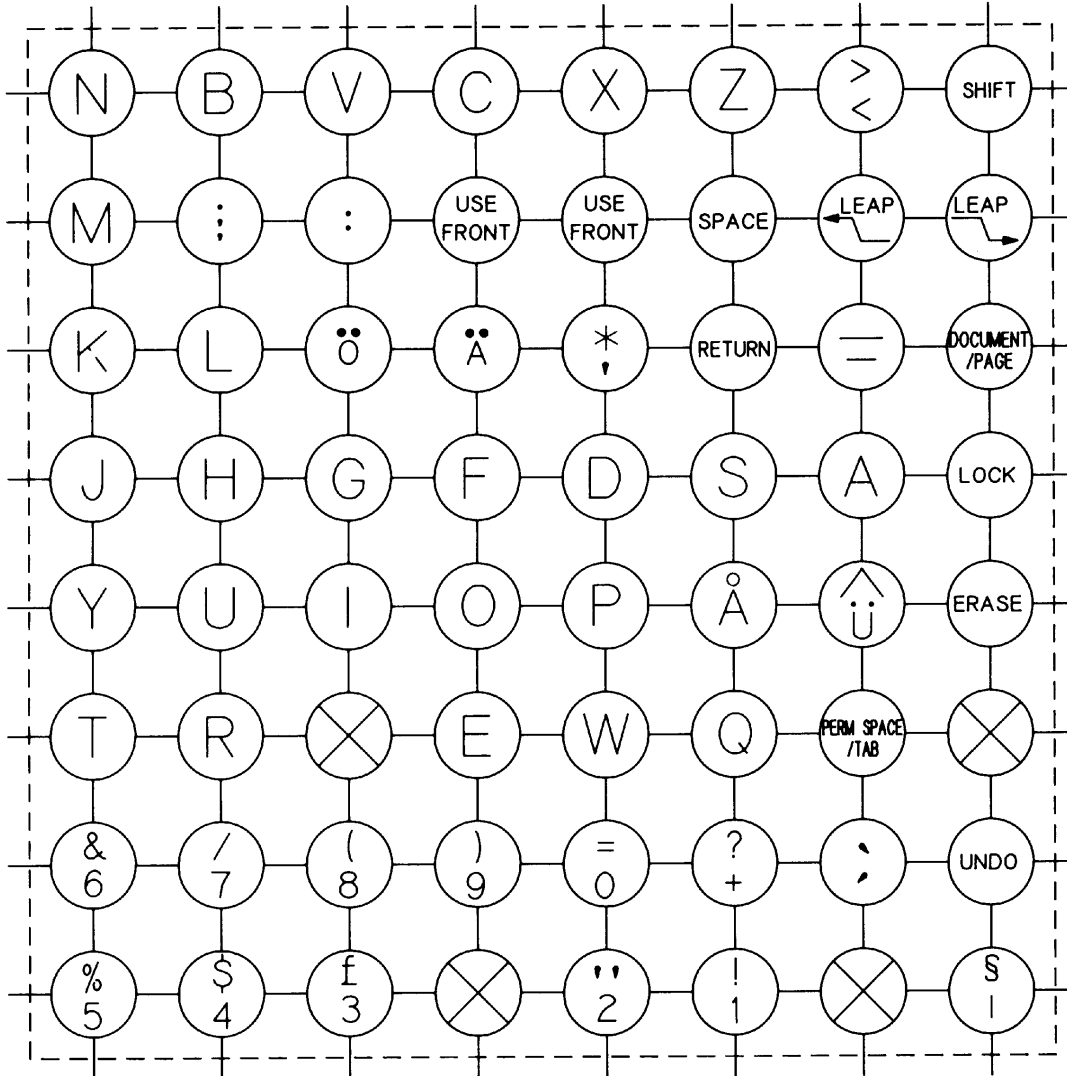
3-5. Keyboard Unit

5. Keyboard Circuit (Denmark)



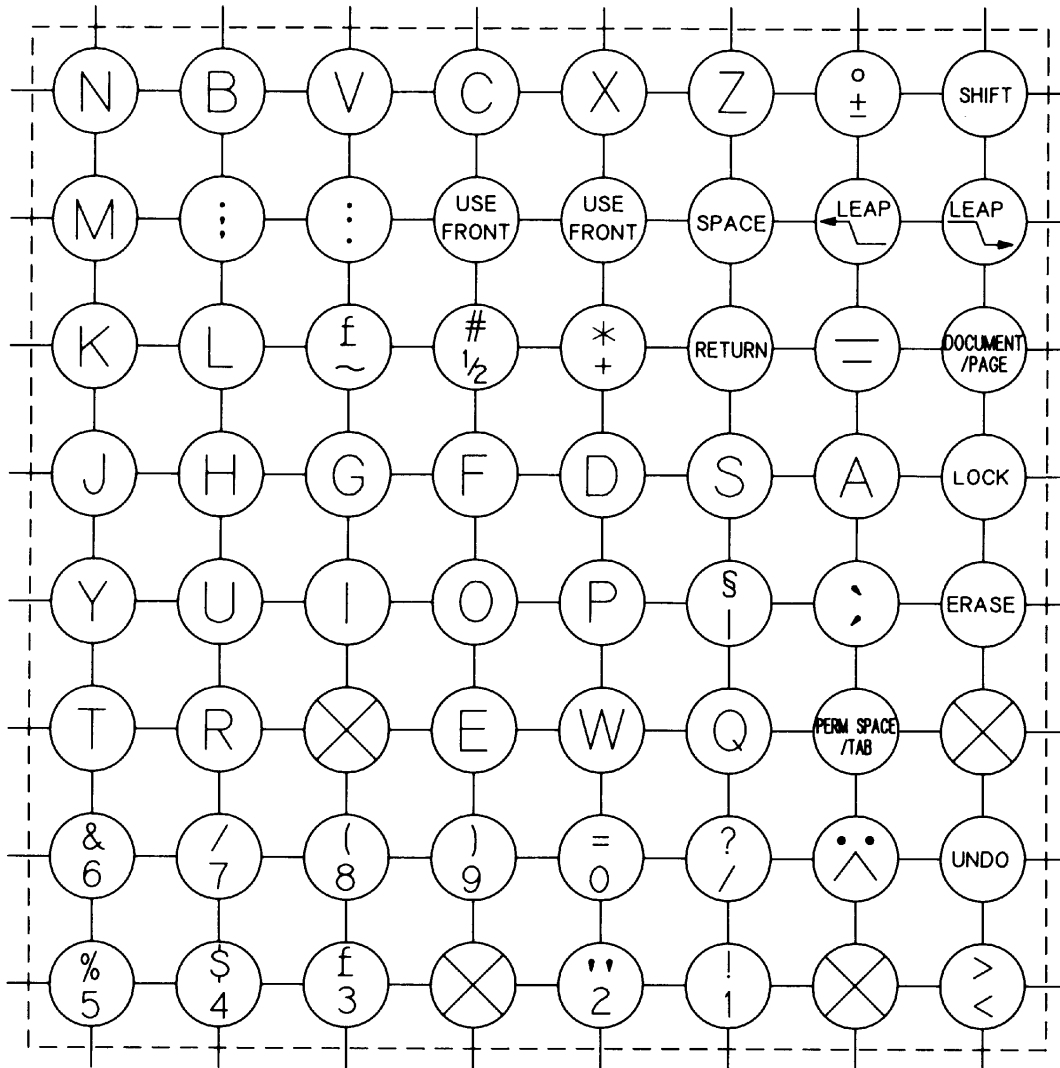
3-5. Keyboard Unit

6. Keyboard Circuit (Sweden/Finland)



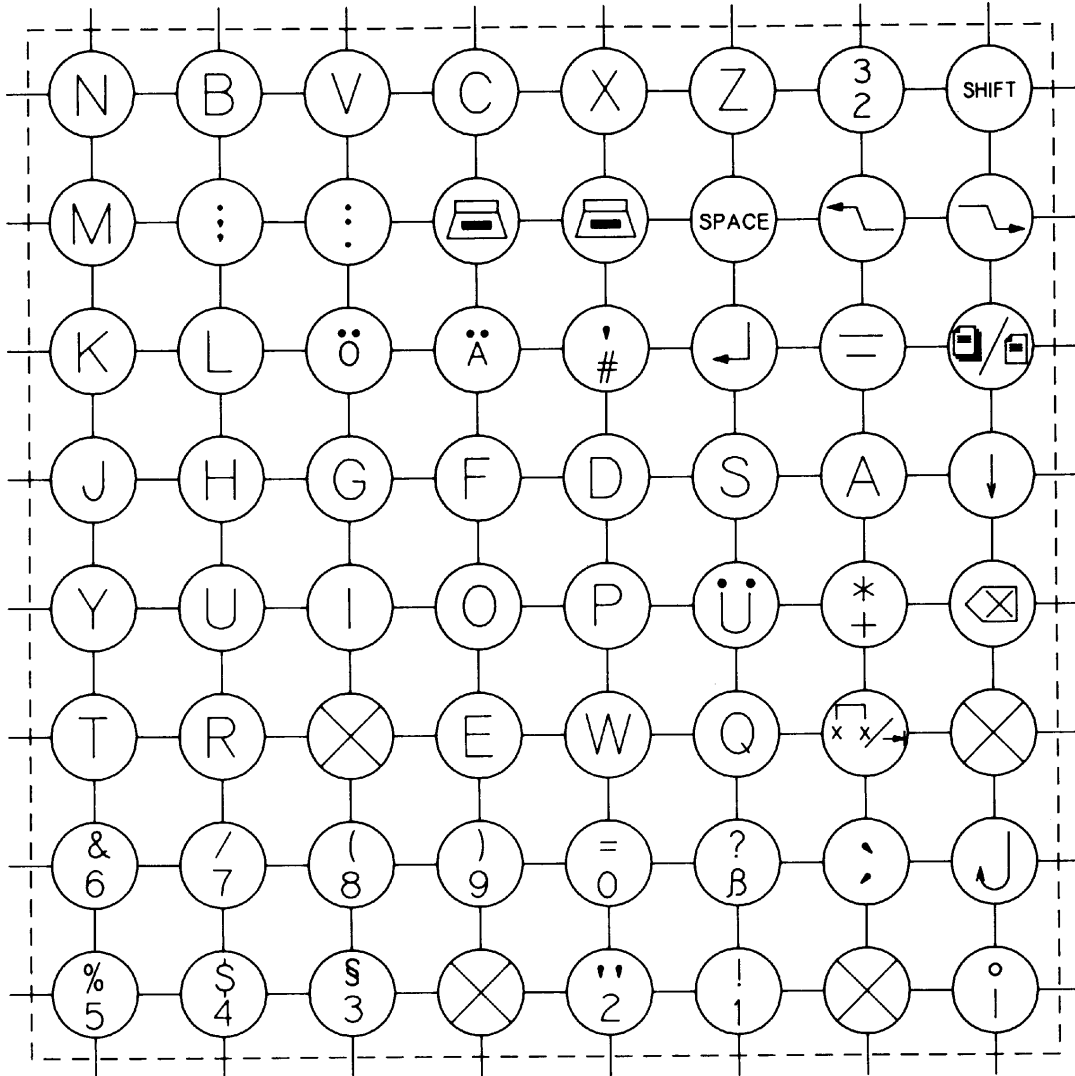
3-5. Keyboard Unit

7. Keyboard Circuit (Netherlands)



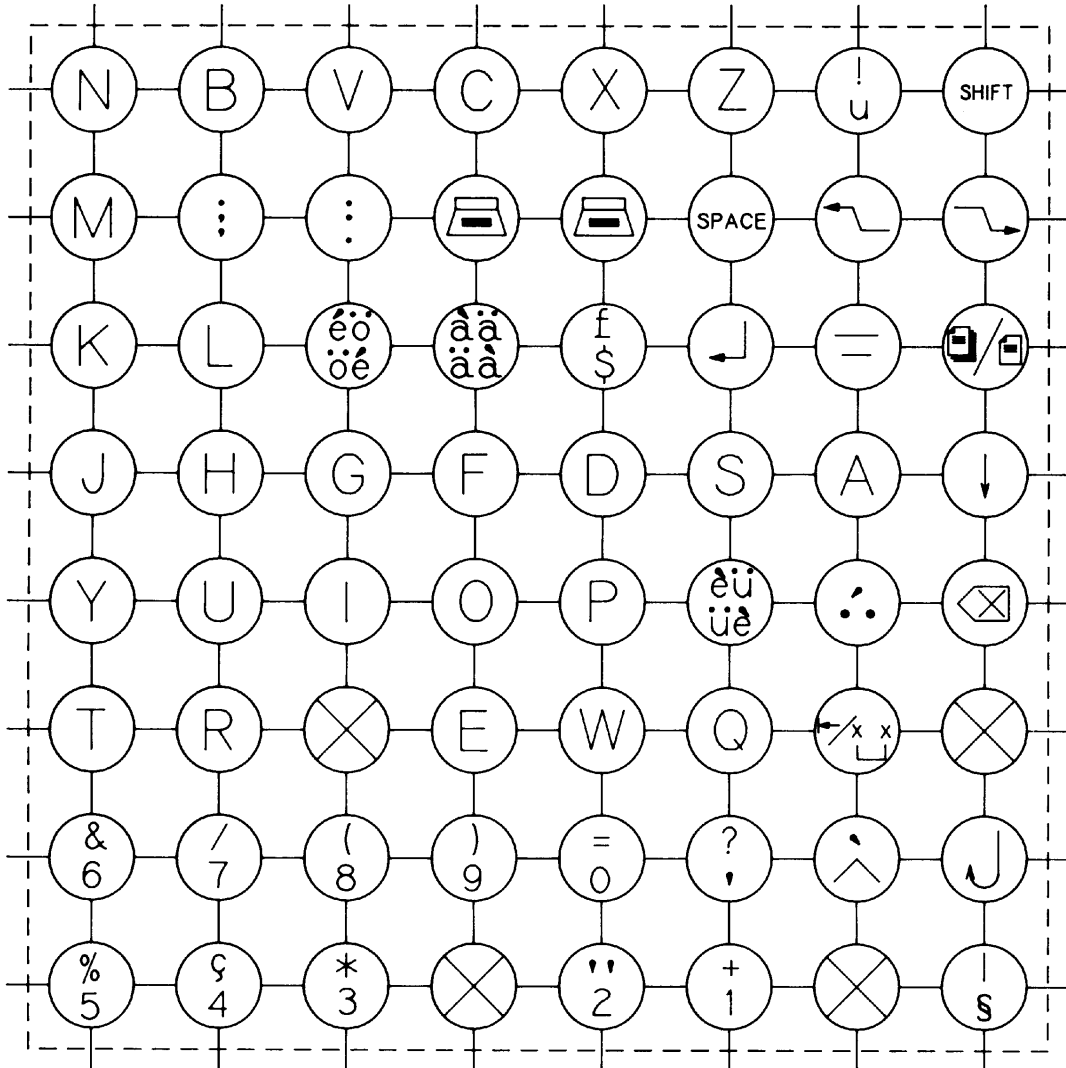
3-5. Keyboard Unit

8. Keyboard Circuit (W. Germany)



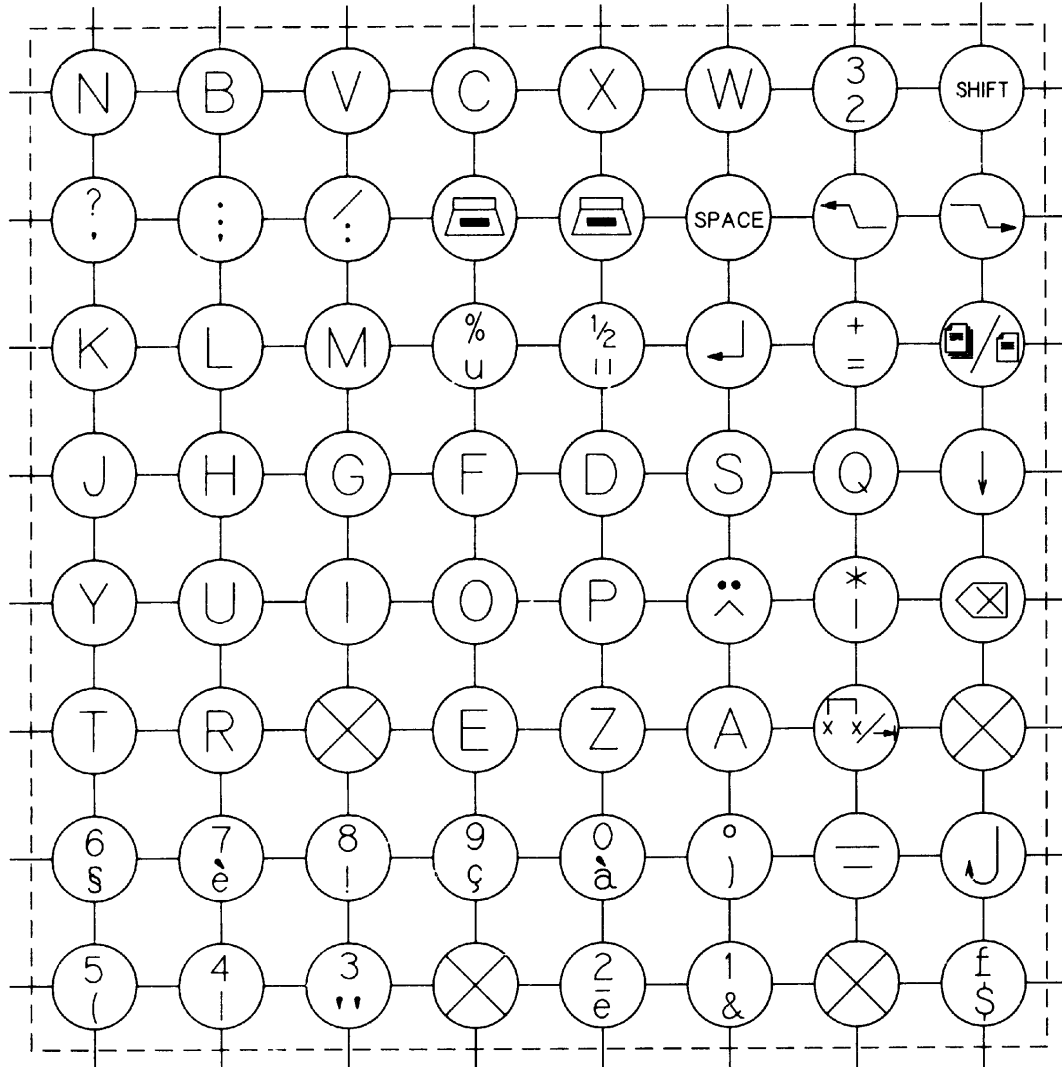
3-5. Keyboard Unit

9. Keyboard Circuit (Switzerland)



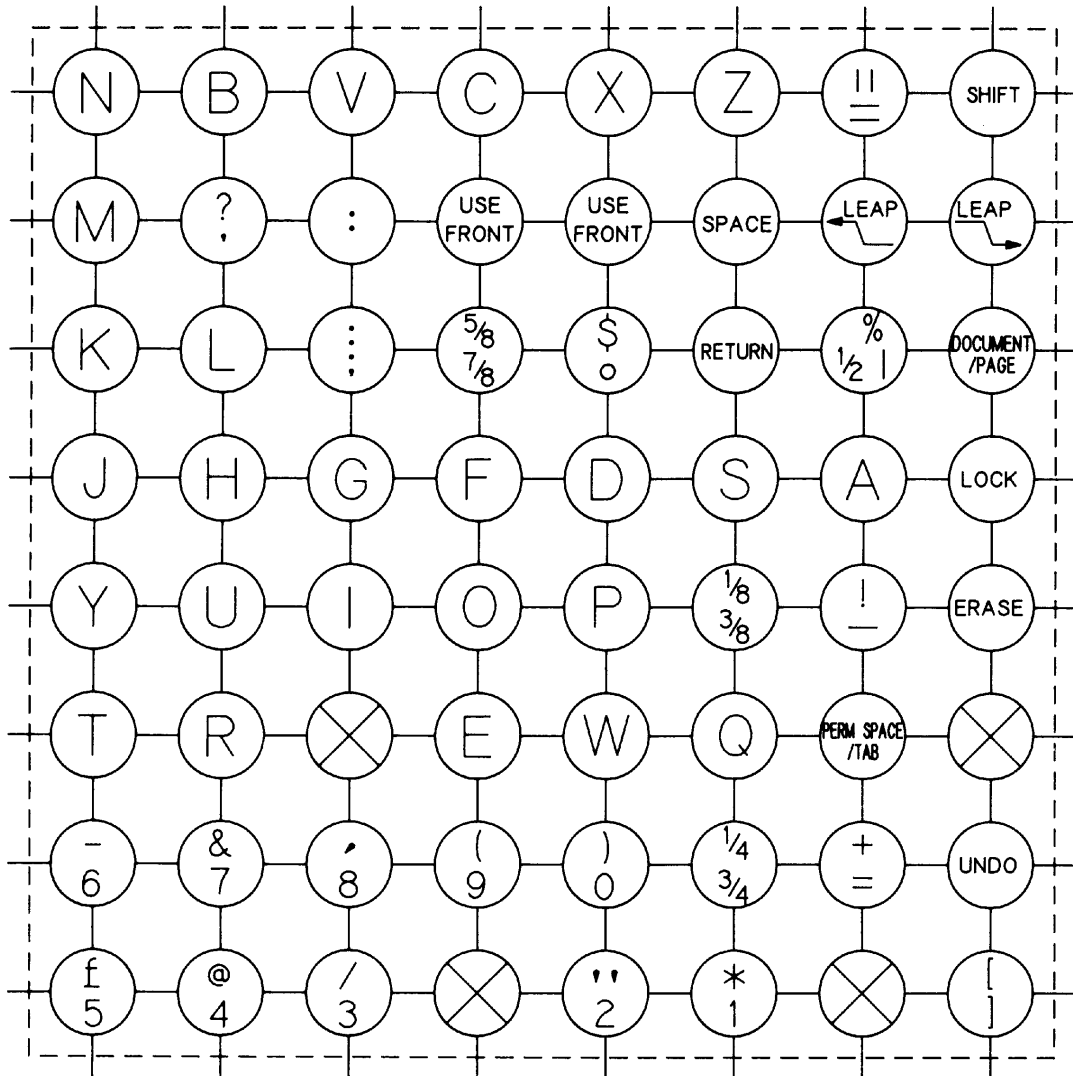
3-5. Keyboard Unit

10. Keyboard Circuit (France)



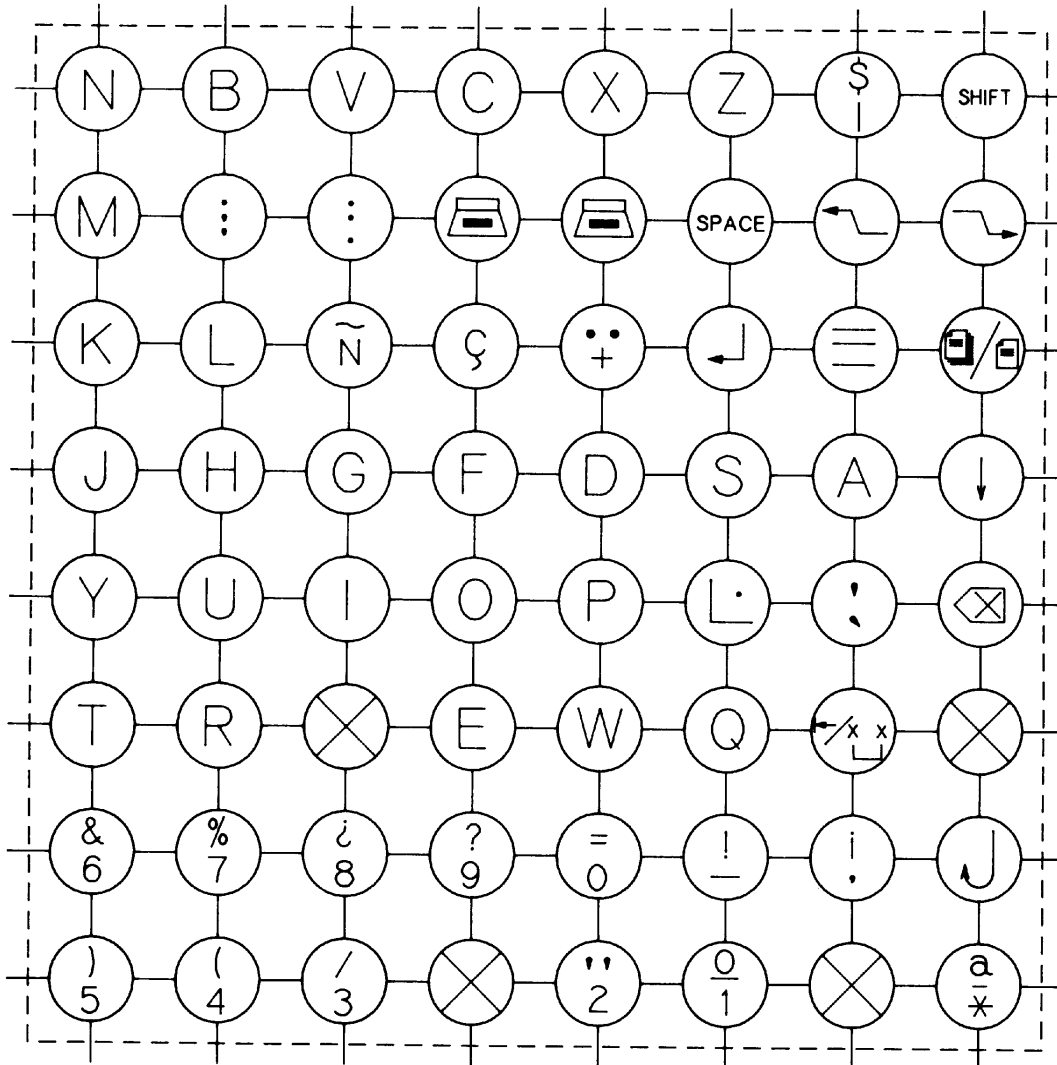
3-5. Keyboard Unit

11. Keyboard Circuit (U.K.)



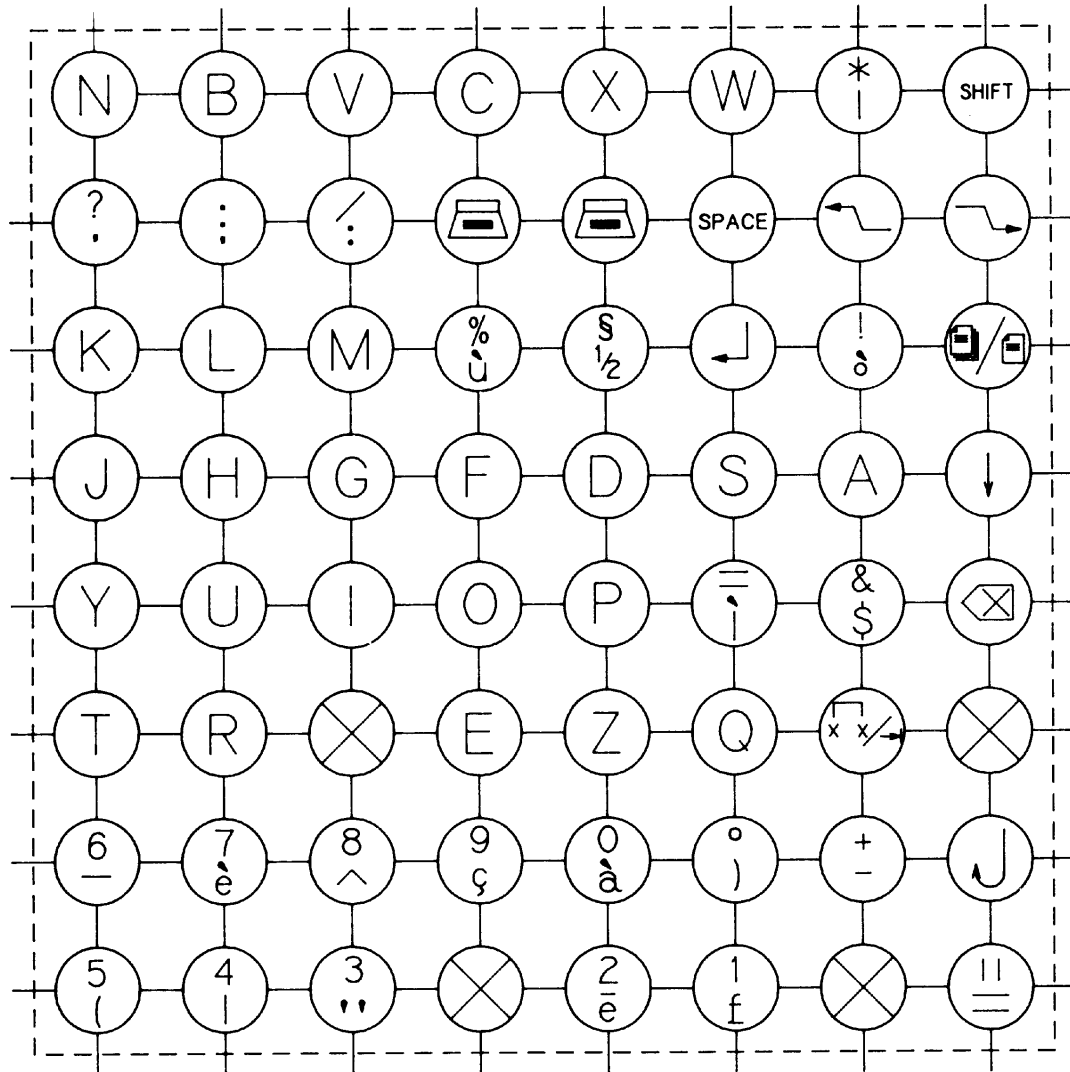
3-5. Keyboard Unit

12. Keyboard Circuit (Spain)



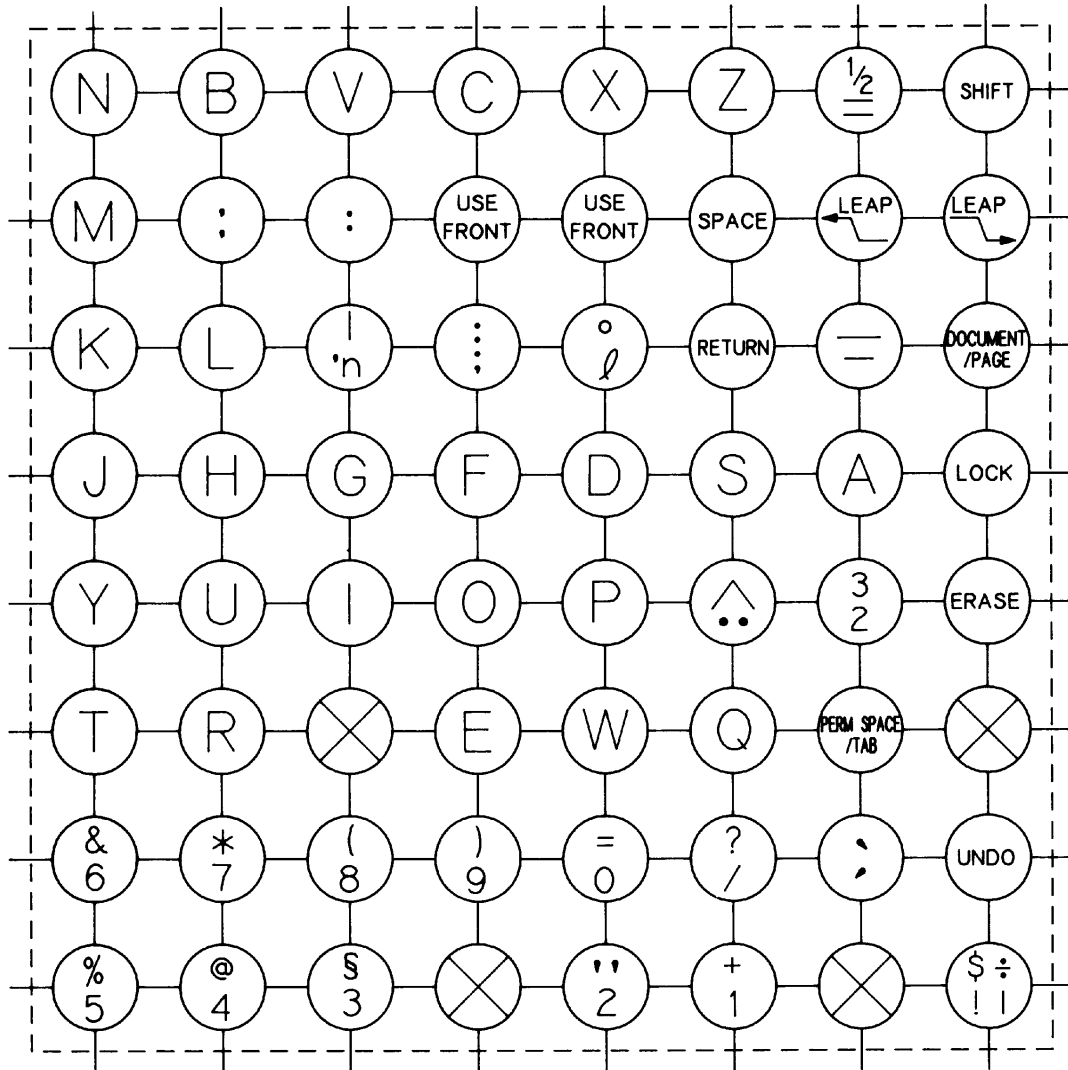
3-5. Keyboard Unit

13. Keyboard Circuit (Italy)



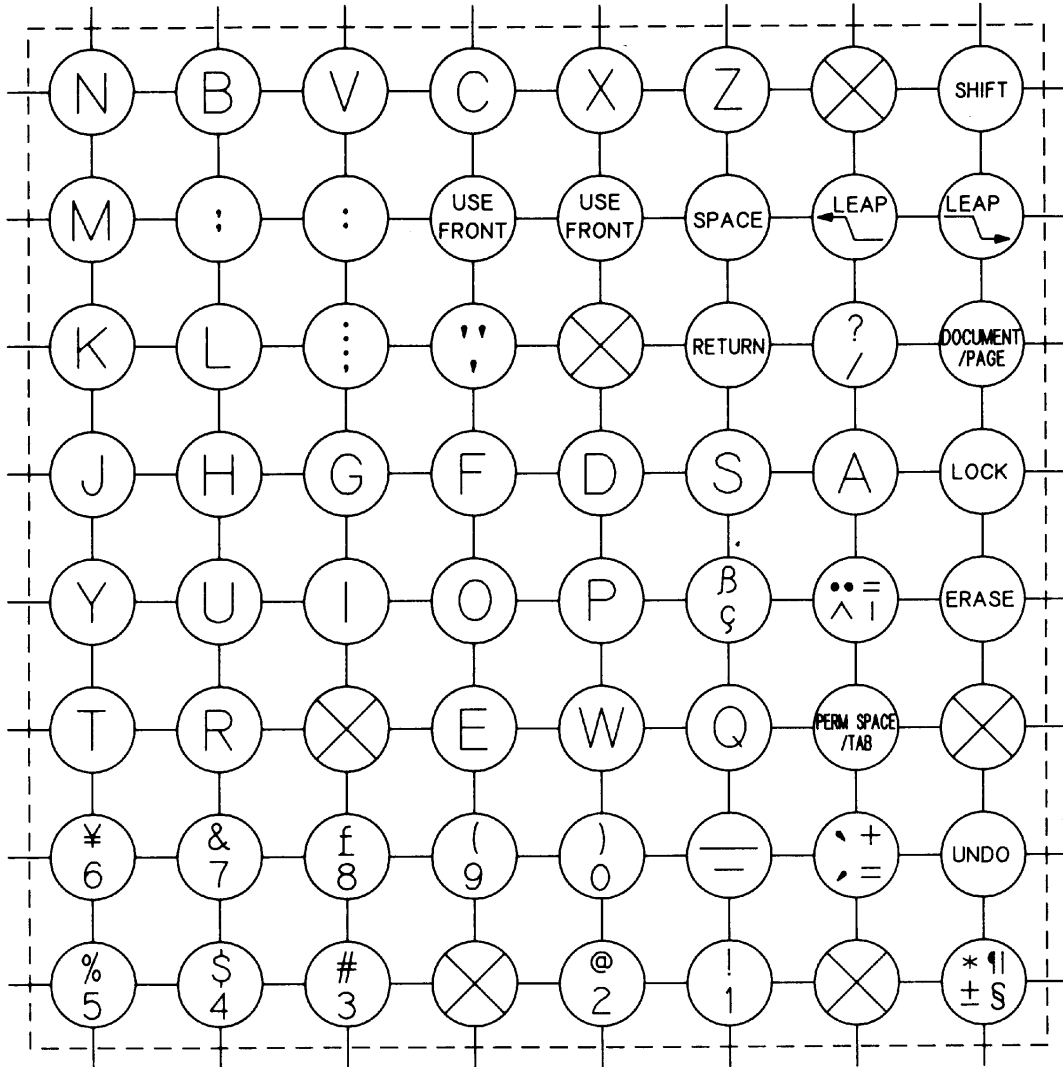
3-5. Keyboard Unit

14. Keyboard Circuit (S. Africa)



3-5. Keyboard Unit

15. Keyboard Circuit (Japan)



CHAPTER 4

CHECK OPERATION

	Page		Page
4-1. Program Name	4-1	4-4. Check Points for OK Results.....	4-9
4-2. Check Range/Specification	4-2	4-5. Concrete Examples of NG Results..	4-12
4-3. Operation	4-4	4-6. ROM Check Sum Table	4-20

4. CHECK OPERATION

Check programs are provided in the main unit system ROM. These programs are roughly divided into programs that make checks automatically (called self diagnosis) and programs that make checks by selecting the check items (called manual check). The manual check menu is displayed after self diagnosis is executed. The check items of each program are shown below.

4-1. Program Name

Program Name	Item	Required Item	Required Time	Field/Work Shop
SELF DIAGNOSIS	① KB Country Code	None	20 sec.	Field/Work Shop
	② SYS ROM			
	③ SV-ROM			
	④ SYS RAM			
	⑤ SV-RAM			
MANUAL CHECK	[1] Keyboard Check	None	—	Field/Work Shop
	[2] CRT Adjustment	None	—	
	[3] FDD Adjustment	Alignment Disk Alignment Disk Alignment Disk Normal Disk Normal Disk Normal Disk	—	Work Shop
	[1] Index Burst Position			
	[2] Step In			
	[3] Step Out			
	[4] Track 00			
[5] Track 00 Modulation				
[6] Track 79 Modulation				
[4] FDD Head Cleaning	Cleaning Disk	5 sec.	Field/Work Shop	
[5] Format Disk	Normal Disk	20 sec.		
[6] FDD Check	Normal Disk	—		

Note:

① ~ ⑤: Checked automatically in this order.

[1] ~ [6]: Menu selection items

4-2. Check Range/Specification

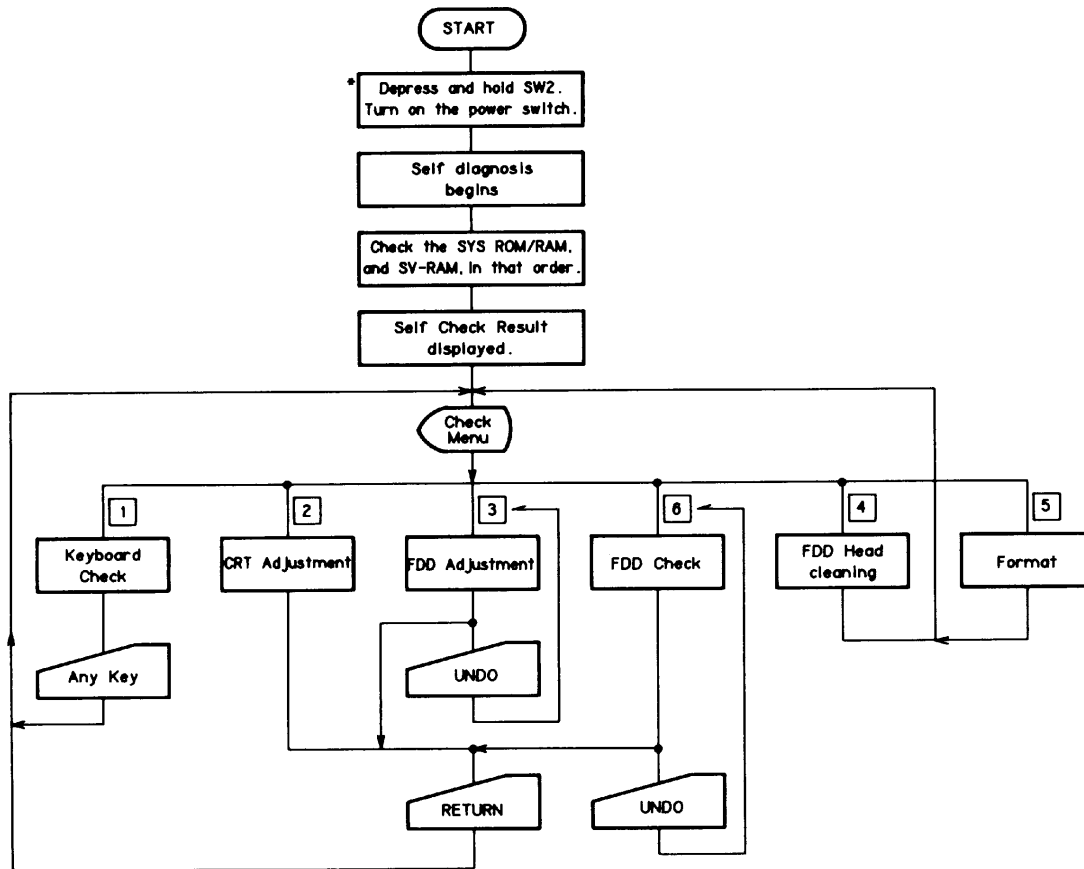
Program Name	Check Range	Specification	
SELF DIAG- NOSIS	① KB Country Code	Keyboard Unit CPU PCB Unit	① Reads the country code (including the test SW status) from the keyboard, then displays the code and the country name. Country Code: D4 ~ D0 are country codes. D7 is test SW status.
	② SYS ROM	CPU PCB Unit	② Checks the system ROM check sum.
	③ SV-ROM	CPU PCB Unit	③ Checks the SV-ROM check sum.
	④ SYS RAM	CPU PCB Unit	④ Performs system RAM read/write check. After checking, RAM No. is displayed. (00 ~ 33) If there is an error, the RAM No. is highlighted.
	⑤ SV-RAM	CPU PCB Unit	⑤ Performs SV-RAM size check.
----- MANUAL CHECK	[1] Keyboard Check	Keyboard Unit CPU PCB Unit	[1] Displays the keyboard layout and country name, then you manually selects check items using the cursor. If an error occurs, the check item is highlighted and the cursor moves to the next check item. Returns to the check menu, if a selection is made after the last check item is checked.
	[2] CRT Adjustment	CRT/Power Supply Unit	[2] Five patterns are available for CRT/POWER SUPPLY unit adjustment. Adjustments are made using the H-pattern. (The other patterns are for factory use.)

4-2. Check Range/Specification

Program Name	Check Range	Specification
MANUAL CHECK	[3] FDD Adjustment	<p>μFDD Unit</p> <p>[3] μFDD adjustment use Six selections are possible. Adjustments are made by combining these selections.</p> <p>[1] Index Burst Position Reads the disk by stepping from track 00 to track 40.</p> <p>[2] Step In Items to be input while Index Burst Position is executing. Seeks to track 39 and steps to track 40.</p> <p>[3] Step Out Items to be selected after Step In was performed. Seeks to track 41 and steps to track 40.</p> <p>[4] Track 00 Steps alternately between track 00 and track 06.</p> <p>[5] Track 00 Modulation Writes and reads Data = \$55 at track 00.</p> <p>[6] Track 79 Modulation Steps from track 00 to track 79 and writes and reads Data = \$55.</p>
	[4] FDD Head Cleaning	<p>CPU PCB Unit</p> <p>Cleans the μFDD heads. Selects tracks at random and loads the heads for five seconds. After executing, returns to check menu.</p>
	[5] Format Disk	<p>μFDD Unit</p> <p>Format a unformat disk to be a Read/Write disk.</p> <p>This format is the same as the CAT's, but ID No. for the CAT cannot be written on the check disk.</p>
	[6] FDD Check	<p>μFDD Unit</p> <p>Performs FD read/write check. The following methods are available:</p> <ol style="list-style-type: none"> 1. Step In (Read/write from track 00 to track 79) 2. Step In/Out (Outside edge and inside edge read/write alternately) 3. Fixed (Read/write fixed address)

4-3. Operation

1. Starting Procedure



*SW2: SW2 is on the rear panel of the main unit. It is turned on by inserting the tip of a pen into the small hole to the left of the CENTRO connector.

4-3. Operation

2. Operation Method

(1) Manual Check

Program Name	Operation Method	Interruption/ Cancellation
Keyboard Check	1) When key [1] is pressed at the selection menu, the keyboard layout and country name are displayed. 2) First, the leftmost key of the top row is highlighted. 3) When a key is pressed, the next key is highlighted. Then, the highlighting moves from left to right and top to bottom. 4) Detection of a wrong key generates a beep and the selection to the left remains highlighted. 5) If a key is input after the last selection is tested, the display returns to the check menu.	None
CRT Adjustment	1) When key [2] is pressed at the selection menu, H pattern is displayed. 2) Five patterns are available. The H pattern is the first pattern. 3) The pattern changes each time the [SPACE] key is pressed. (1, 2, 3, 4, 5, 1, 2, 3, ...) 4) The current pattern is reversed each time the [UNDO] key is pressed. (Black on white to white on black) 5) When the [RETURN] key is pressed, the display returns to the check menu.	Cancellation [RETURN]
FDD Adjustment	When key [3] is pressed at the selection menu, FDD Adjustment is displayed. The following are displayed: [1] Index Burst Position [2] Step In [3] Step Out [4] Track 00 [5] Track 00 Modulation [6] Track 79 Modulation	

4-3. Operation

Program Name	Operation Method	Interruption/ Cancellation
FDD Adjustment	<p>An operation is performed by combining several items from items [1] to [6] according to the purpose for FDD adjustment.</p> <p>Operation is described below by purpose.</p> <p>To exit from this menu to the check menu, press the RETURN key.</p>	<p>Cancellation RETURN</p>
	<p>A. Track Position Adjustment</p> <ol style="list-style-type: none"> 1) Insert an alignment disk into the drive. 2) Press key 1 at the adjustment menu. (Index Burst Position selected.) (If there is no disk in the drive, a beep is generated and the selection is not performed.) 3) Observe and adjust the waveform. 4) Press key 2 and check the waveform. 5) Press key 3 and check the waveform. Then, press the UNDO key (Quit) 	<p>To interrupt the program at steps 3) and 4), press the UNDO key.</p>
	<p>B. Index Burst Position Adjustment</p> <ol style="list-style-type: none"> 1) Insert an alignment disk into the drive. 2) Press key 1 at the adjustment menu. (If there is no disk in the drive, a beep is generated and the selection is no performed.) 3) Observe and adjust the waveform. Then, press the UNDO key (Quit) 	<p>Interruption UNDO</p>
	<p>C. Track 00 Adjustment</p> <ol style="list-style-type: none"> 1) Insert a normal disk into the drive. 2) Press key 4 at the adjustment menu. (If there is no disk in the drive, a beep is generated and the selection is not performed.) 3) Observe and adjust the waveform. Then, press the UNDO key (Quit) 	<p>Interruption UNDO</p>

4-3. Operation

Program Name	Operation Method	Interruption/ Cancellation														
FDD Adjustment	<p>D. Modulation</p> <ol style="list-style-type: none"> 1) Insert a normal disk into the drive. 2) Press key [5] at the adjustment menu. (If there is no disk in the drive, a beep is generated and the selection is not performed.) 3) Check the waveform. Then, press [UNDO] key. 4) Press key [6] and check the waveform. Then, press [UNDO] key. 	<p>Interruption [UNDO]</p>														
FDD Check	<ol style="list-style-type: none"> 1) When key [6] is pressed at the manual check menu, the FDD check screen is displayed. 															
<p>FDD Check: Sequence=Step In Retry Count=0 Recalibrate Count=0 Wr/Rd Mode=RD [1]=Step In [2]=Step In/Out [3]=Fixed Press [SPACE] to start. Press [UNDO] to quit. Press [RETURN] to exit.</p>																
	<ol style="list-style-type: none"> 2) Each time the [LEAP] key is pressed, the cursor moves to the item at which a parameter is to be input. (The parameter at the cursor position is displayed at the bottom of the screen.) 3) The parameters that can be input are: <table border="1" data-bbox="542 1121 1127 1377" style="margin: 10px auto;"> <thead> <tr> <th>Item</th> <th>Parameter</th> </tr> </thead> <tbody> <tr> <td>Sequence =</td> <td>[1]=Step In, [2]=Step In/out, [3]=Fixed</td> </tr> <tr> <td>Retry Count =</td> <td>[0 - 9]</td> </tr> <tr> <td>Recalibrate Count =</td> <td>[0 - 9]</td> </tr> <tr> <td>Wr/Rd Mode =</td> <td>[R]=Read only, [W]=Write Before Read Check</td> </tr> <tr> <td>Track =</td> <td>[0 - 79]</td> </tr> <tr> <td>Sector =</td> <td>[0 - 9]</td> </tr> </tbody> </table> <p style="text-align: center;">The characters in [] are input.</p> 4) After setting all the parameters, insert a normal disk into the drive. (Write protect tab must be removed) 	Item	Parameter	Sequence =	[1]=Step In, [2]=Step In/out, [3]=Fixed	Retry Count =	[0 - 9]	Recalibrate Count =	[0 - 9]	Wr/Rd Mode =	[R]=Read only, [W]=Write Before Read Check	Track =	[0 - 79]	Sector =	[0 - 9]	
Item	Parameter															
Sequence =	[1]=Step In, [2]=Step In/out, [3]=Fixed															
Retry Count =	[0 - 9]															
Recalibrate Count =	[0 - 9]															
Wr/Rd Mode =	[R]=Read only, [W]=Write Before Read Check															
Track =	[0 - 79]															
Sector =	[0 - 9]															

4-3. Operation

Program Name	Operation Method	Interruption/ Cancellation
FDD Check	5) Start the program by pressing SPACE key. 6) "Pass:" is displayed. This shows the number of times FDD was checked. (Loop Count) 7) To interrupt the program, press UNDO key for about one second. The display returns to the check screen. 8) To exit from the FDD Check program, press the RETURN key.	Interruption UNDO Cancellation RETURN
FDD Head Cleaning	1) When the 4 is input at the check screen, the following message is displayed: Insert Cleaning Disk and press [SPACE] when ready. Press [RETURN] to return to main menu. 2) Insert a cleaning disk into the drive. 3) Press the SPACE key. 4) Five second later, the display returns to the check screen.	
Format	Format: Before executing the FDD Check, the disk to be used must be initialized the following program: 1) Remove the write-protect tab of a normal disk and insert the disk into the drive. 2) Press key 5 at the check menu. Twenty seconds later, initialization ends.	

4.4. Check Points for OK Results

Program Name	Check Point																								
SELF DIAGNOSIS	<p>At the end of the checks, the results are displayed as follows:</p> <div style="border: 1px solid black; padding: 10px; margin: 10px 0;"> <p>Self Diagnosis</p> <p>①→ KB Country Code: 80 United States</p> <table style="width: 100%; border-collapse: collapse;"> <thead> <tr> <th style="text-align: left;">ROM Checksums:</th> <th style="text-align: left;">True</th> <th style="text-align: left;">Read</th> </tr> </thead> <tbody> <tr> <td>②→ SYS ROM0 HIGH:</td> <td>xxxxxxx</td> <td>xxxxxxx</td> </tr> <tr> <td>SYS ROM0 LOW:</td> <td>xxxxxxx</td> <td>xxxxxxx</td> </tr> <tr> <td>SYS ROM1 HIGH:</td> <td>xxxxxxx</td> <td>xxxxxxx</td> </tr> <tr> <td>SYS ROM1 LOW:</td> <td>xxxxxxx</td> <td>xxxxxxx</td> </tr> <tr> <td>SV ROM0:</td> <td>xxxxxxx</td> <td>xxxxxxx</td> </tr> <tr> <td>SV ROM1:</td> <td>xxxxxxx</td> <td>xxxxxxx</td> </tr> <tr> <td>SV ROM2:</td> <td>xxxxxxx</td> <td>xxxxxxx</td> </tr> </tbody> </table> <p>③→ SYSTEM RAMs: 00 01 02 03 10 11 12 13 20 21 22 23 30 31 32 33 SV RAM: 00002000</p> <p>④→ Manual Check Menu: Select [1] [2] [3] [4] [5] [6] [1] Keyboard Check [2] CRT Adjustment [3] FDD Adjustment [4] FDD Head Cleaning [5] Format Disk [6] FDD Check</p> </div> <p>① The keyboard country code and country name are displayed. The names and codes are shown below. When D7 = High, "Country Code = 80" is displayed. 00: United States 01: Canada 02: United Kingdom 03: Norway 04: France 05: Denmark 06: Sweden 07: Japan 08: West Germany 09: Netherlands 0A: Spain 0B: Italy 0C: Latin America 0D: South Africa 0E: Switzerland</p> <p>② The system ROM and SV-ROM check sum is displayed. The sum value is displayed as true value (true) and check result value (read). Whether these two values are the same is checked.</p>	ROM Checksums:	True	Read	②→ SYS ROM0 HIGH:	xxxxxxx	xxxxxxx	SYS ROM0 LOW:	xxxxxxx	xxxxxxx	SYS ROM1 HIGH:	xxxxxxx	xxxxxxx	SYS ROM1 LOW:	xxxxxxx	xxxxxxx	SV ROM0:	xxxxxxx	xxxxxxx	SV ROM1:	xxxxxxx	xxxxxxx	SV ROM2:	xxxxxxx	xxxxxxx
ROM Checksums:	True	Read																							
②→ SYS ROM0 HIGH:	xxxxxxx	xxxxxxx																							
SYS ROM0 LOW:	xxxxxxx	xxxxxxx																							
SYS ROM1 HIGH:	xxxxxxx	xxxxxxx																							
SYS ROM1 LOW:	xxxxxxx	xxxxxxx																							
SV ROM0:	xxxxxxx	xxxxxxx																							
SV ROM1:	xxxxxxx	xxxxxxx																							
SV ROM2:	xxxxxxx	xxxxxxx																							

4.4. Check Points for OK Results

Program Name	Check Point																				
SELF DIAGNOSIS	<p>③ The RAM1 to RAM15 and IC No. correspondence and installation state and size are shown below. RAM size must be determined using the table below.</p> <table border="1" data-bbox="550 478 1297 705"> <thead> <tr> <th>IC No.</th> <th>RAM No.</th> <th>Installation state</th> <th>Size</th> </tr> </thead> <tbody> <tr> <td>IC29 ~ IC26</td> <td>RAM00 ~ RAM03</td> <td>Standard</td> <td>128 KB</td> </tr> <tr> <td>IC25 ~ IC22</td> <td>RAM10 ~ RAM13</td> <td>Standard</td> <td>128 KB</td> </tr> <tr> <td>IC21 ~ IC18</td> <td>RAM20 ~ RAM23</td> <td>Optional RAM</td> <td>128 KB</td> </tr> <tr> <td>IC17 ~ IC14</td> <td>RAM30 ~ RAM33</td> <td>Uninstalled RAM</td> <td>———</td> </tr> </tbody> </table> <p>④ SV-RAM checks RAM size. "00002000" is displayed (8 kbytes).</p>	IC No.	RAM No.	Installation state	Size	IC29 ~ IC26	RAM00 ~ RAM03	Standard	128 KB	IC25 ~ IC22	RAM10 ~ RAM13	Standard	128 KB	IC21 ~ IC18	RAM20 ~ RAM23	Optional RAM	128 KB	IC17 ~ IC14	RAM30 ~ RAM33	Uninstalled RAM	———
IC No.	RAM No.	Installation state	Size																		
IC29 ~ IC26	RAM00 ~ RAM03	Standard	128 KB																		
IC25 ~ IC22	RAM10 ~ RAM13	Standard	128 KB																		
IC21 ~ IC18	RAM20 ~ RAM23	Optional RAM	128 KB																		
IC17 ~ IC14	RAM30 ~ RAM33	Uninstalled RAM	———																		
MANUAL CHECK	<p>[1] Keyboard check If all checks are OK, a beep is not generated and character highlighting does not occur.</p> <p>[2] CRT adjustment The adjustment pattern does not use OK/NG messages.</p> <ol style="list-style-type: none"> 1. H-pattern (Field/work shop) 2. #H-pattern (Factory) 3. Cross-pattern (Factory) 4. Character-pattern (Factory) 5. All dot-pattern (Factory) 																				

4-4. Check Points for OK Results

Program Name	Reading the result
<p>MANUAL CHECK</p>	<p>[3] FDD adjustment The adjustment program does not use OK/NG messages.</p>
	<p>[6] FDD Check If all checks are OK, a message is not displayed. Note) When the disk is write-protected, checks are not performed. When an error occurs, a beep is generated and the following message is displayed:</p> <p>Pass: 1 Track: 27 Sector: 6 Error: 6 Type: <u>Write Error</u></p> <p>Type "Write Error" or "Read Error" Error code:</p> <p><u>Error Code</u></p> <ul style="list-style-type: none"> 1 No disk in drive 2 Seek error 3 Disk write protected 4 No headers found 5 Header CRC error 6 No data field found 7 Data CRC error 8 Disk verify error 9 Wrong header found
	<p>[4] FDD Head Cleaning Since this is a head-cleaning program, OK/NG messages are not displayed.</p>

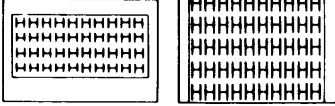
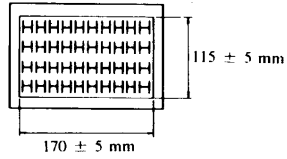

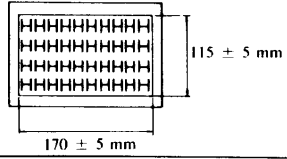

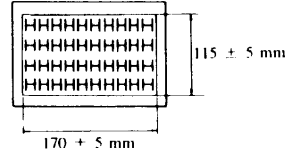
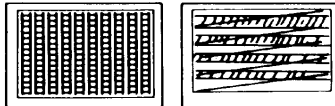
4-5. Concrete Examples of NG Results

Program Name		Concrete Examples of NG Results
SELF DIAGNOSIS	① KB Country Code	Country code is different.
	② SYS ROM and SV-ROM	The true value is different from the read value.
	③ RAM and SV-RAM	"Error" is displayed. RAM size is different.
MANUAL CHECK	[1] Keyboard	Keys on the key layout are highlighted. (Some or all of the keys)
		Even if a key is pressed, it is not input.

4-5. Concrete Examples of NG Results

Cause of Fault	Action	Remarks
Defective Diode (CC-Line) Poor Cable	Replace the keyboard unit.	Keyboard Check
System ROM or SV-ROM, defective	Replace the CPU PCB unit.	Replace the ROM chip or observe the waveform.
RAM Chip, defective Gate Array #1 or #2	Replace the CPU PCB unit.	Replace the RAM chip and Gate Array #1 or #2.
RAM chip, defective	Replace the CPU PCB unit.	Replace the RAM chip.
Key switch, defective Diode, defective	Replace the keyboard unit.	Keyboard check
Poor Cable, Gate Array #3, defective	Replace the keyboard unit Replace the CPU PCB unit.	Cable check Replace the Gate Array #3.

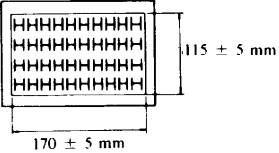
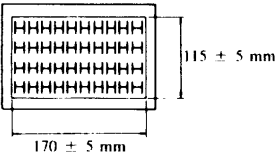
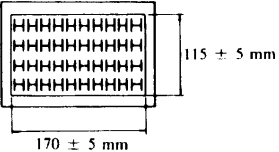
4-5. Concrete Examples of NG Results

Program Name		NG symptoms	OK Examples
		Display/Printing	Display/Printing
MANUAL CHECK	[2] CRT Adjustment	<p>The CRT display is vertically long or short. The lengths of the characters at the top and bottom of the CRT are different.</p> 	<p>H Patterns of uniform length are displayed at the top and bottom.</p> 
		<p>The CRT display is slanted.</p> 	<p>H Patterns of uniform length are displayed at the top, and bottom, left, and right.</p> 
		<p>The CRT display is distorted.</p> 	<p>H Patterns of uniform length are displayed at the top, bottom, left, and right.</p> 
		<p>The CRT display drifts horizontally or vertically.</p> 	<p>H Patterns of length are displayed uniformly at the top, bottom, left, and right.</p>

4-5. Concrete Examples of NG Results

Cause of Fault	Action	Remarks
Vertical amplitude maladjustment Vertical linearity maladjustment	Replace the CRT/Power supply unit.	Adjust the vertical amplitude VR. MATSUSHITA: R418 GOLD STAR: VR603 Vertical linearity maladjustment MATSUSHITA: R417 GOLD STAR: VR604
CRT internal deflection coil maladjustment	Replace the CRT/Power supply unit.	Adjust the deflection coil.
CRT internal centering magnet maladjustment	Replace the CRT/Power supply unit	Adjust the centering magnet.
Horizontal synchronization maladjustment Vertical synchronization maladjustment	Replace the CRT unit.	Adjust the horizontal/vertical synchronization VR. MATSUSHITA: R528/R416 GOLD STAR: VR702/VR601
Defective HSYNC, VSYNC signal	Replace the CPU PCB unit.	Check the monitor signal.

4-5. Concrete Examples of NG Results

Program Name		NG symptoms	OK Examples
		Display/Printing	Display/Printing
MANUAL CHECK	[2] CRT Adjustment	No display on the CRT.	H Patterns are displayed. 
		The CRT display is too bright or too dark.	
		The CRT display is not definite.	H Patterns can be clearly seen.
		The CRT displays only one vertical line. The CRT displays only one horizontal line. [CRT monitor] [CRT monitor]	H Pattern are displayed. 
		The CRT display is misaligned vertically. The CRT display is misaligned horizontally.	H Patterns are displayed in the center of the CRT at the top and bottom, and at the left and right. 

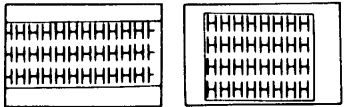
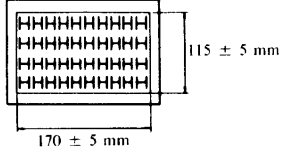
4-16

4-5. Concrete Examples of NG Results

Cause of Fault	Action	Remarks
Defective CRT internal circuit Defective CRT cable Heater is disconnected. Defective CRTC/VRAM circuit.	Replace the CRT/Power supply unit. Replace the CRT/Power supply unit. Replace the CRT/Power supply unit. Replace the CPU PCB unit.	Check the video circuit. Check the CRT Cable. Check the monitor signal. Check the CRT/VRAM circuit.
CRT external intensity VR maladjustment. CRT internal intensity VR maladjustment.	Adjust the VR. Replace the CRT/Power supply unit.	Adjust the intensity VR. MATSUSHITA: R530 GOLD STAR: VR703
Defective focusing VR Contrast maladjustment.	Replace the CRT/Power supply unit.	Adjust the focus VR. MATSUSHITA: R530 GOLD STAR: VR703 Adjust the contrast VR. MATSUSHITA: GOLD STAR: VR301
Defective CRT internal circuit. Defective video signal	Replace the CRT/Power supply unit. Replace the CPU PCB unit.	Check the CRT internal circuit. Check the monitor circuit.
CRT internal centering magnet maladjustment	Replace the CRT/Power supply unit.	Adjust the CRT internal centering magnet.

4-17

4.5. Concrete Examples of NG Results

Program Name		NG symptoms	OK Examples
		Display/Printing	Display/Printing
MANUAL CHECK	[2] CRT Adjustment	<p>The CRT display is horizontally expanded, or the widths of the characters on the left and right sides of a narrowed display are different.</p> 	<p>Pattern Hs are displayed in the center of the CRT. The widths of the displayed characters are the same at the top and bottom, and at the left and right.</p> 

Program Name		Concrete Examples of NG Results
MANUAL CHECK	[6] FDD Check	Read Error
		Write Error
		The FDD is not starting.

4-5. Concrete Examples of NG Results

Cause of Fault	Action	Remarks
Horizontal amplitude maladjustment	Replace the CRT/Power supply unit.	Adjust the horizontal amplitude VR. MATSUSHITA: L502 GOLDSTAR:

Cause of Fault	Action	Remarks
FDD or Disk CPU PCB (Gate Array #3)	Replace the FDD unit or disk. Replace the CPU PCB unit.	
FDD or Disk CPU PCB (Gate Array #3)	Replace the FDD unit or disk. Replace the CPU PCB unit.	
The disk is write-protected.	Remove the protect.	

4-6. ROM Check Sum Table

IC NO.	ROM NO.	ROM NAME & VERSION NO.	CHECK SUM	DATE
			Hexadecimal	MM/DD/YY
IC2	ROM0L	B91U01	\$ 9F1F	6/22/87
IC2	ROM0L		\$	/ /
IC2	ROM0L		\$	/ /
IC2	ROM0L		\$	/ /
IC4	ROM0H	B91U02	\$ FF0A	6/22/87
IC4	ROM0H		\$	/ /
IC4	ROM0H		\$	/ /
IC4	ROM0H		\$	/ /
IC3	ROM1L	B91U03	\$ 79BF	6/22/87
IC3	ROM1L		\$	/ /
IC3	ROM1L		\$	/ /
IC3	ROM1L		\$	/ /
IC5	ROM1H	B91U04	\$ 03FF	6/22/87
IC5	ROM1H		\$	/ /
IC5	ROM1H		\$	/ /
IC5	ROM1H		\$	/ /

Table 4-1

PARTS CATALOG

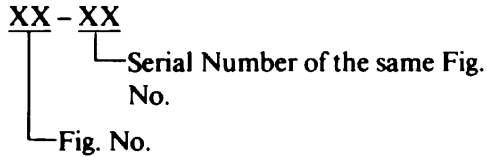
	Page		Page
How to Use Parts List	i ~ ii	C-12. Keytops (DENMARK).....	C-29 ~ C-30
A. Assembly Location Diagram.....	A-1	C-13. Keytops	
B. Assemblies.....	B-1 ~ B-2	(SWEDEN/FINLAND).....	C-31 ~ C-32
C-1. CPU PCB Unit.....	C-1 ~ C-6	C-14. Keytops	
C-2. CRT/Power Supply Unit		(NETHERLANDS).....	C-33 ~ C-34
(MATSUSHITA).....	C-7 ~ C-8	C-15. Keytops	
C-3. Power Supply Unit	C-9 ~ C-10	(W. GERMANY).....	C-35 ~ C-36
C-4. CRT/Power Supply Unit		C-16. Keytops	
(GOLDSTAR).....	C-11 ~ C-12	(SWITZERLAND).....	C-37 ~ C-38
C-5. CRT/Power Supply		C-17. Keytops (FRANCE)	C-39 ~ C-40
PCB Assembly.....	C-13 ~ C-16	C-18. Keytops (U.K.).....	C-41 ~ C-42
C-6. MICRO FDD Unit	C-17 ~ C-18	C-19. Keytops (SPAIN).....	C-43 ~ C-44
C-7. Keyboard Unit.....	C-19 ~ C-20	C-20. Keytops (ITALY).....	C-45 ~ C-46
C-8. Keytops (USA/CANADA/ASIA/ OCEANIA).....	C-21 ~ C-22	C-21. Keytops (S.AFRICA)	C-47 ~ C-48
C-9. Keytops (QUEBEC).....	C-23 ~ C-24	C-22. Keytops (JAPAN).....	C-49 ~ C-50
C-10. Keytops (LATIN).....	C-25 ~ C-26	D. Screws	D,E-1
C-11. Keytops (NORWAY).....	C-27 ~ C-28	E. Tools	D,E-1
		F. Numerical Index	F-1 ~ F-24

HOW TO USE PARTS LIST

The Parts List is classified as follows:

- A. ASSEMBLY LOCATION DIAGRAM
- B. ASSEMBLIES (Exploded View)
- C. PARTS LOCATION DIAGRAM by FRU and ASSEMBLY
- D. SCREWS
- E. TOOLS
- F. NUMERICAL INDEX

Pages of Parts Catalog indicate as follows:



ASSEMBLY LOCATION DIAGRAMS

These diagrams show the locations of major assemblies of the Typewriter and Figure No.

FINDING A PARTS NUMBER

Refer to the Assembly Location Diagram and find the Figure Number of the assembly of interest. Turn to the page(s), locate the parts on the exploded view, and find its Key Number. Refer to the Parts List on the page facing the exploded view and find the Key Number, Parts Number and Quantity required for your type of machine.

Because the parts commonly used for all products such as screw, nut, washer, retaining ring and pin are indicated on the illustrations by 3-digit key numbers which consist of one alphabetical digit and two numerical digits, the Parts numbers should be referred to D. SCREWS.

PARTS LIST PAGES

The Parts List pages contain the following columns and information.

(1) **Figure and Key Number Column**

The first column shows the Figure Number of the illustration corresponding to the Parts List, and the Key Number that identifies the parts on the

illustration.

(2) **Parts Number Column**

The second column shows the Parts Number for the parts. This Number must be used when ordering replacement parts or assemblies.

(3) **Rank Column**

Parts marked "N" are service parts, but are not stocked items. They are produced on a special-order basis. Parts marked "X" are not service parts, therefore they are not available.

(4) **Quantity Column**

The quantity shown in this column is the number of parts used in the figure. However, the quantity listed for an assembly indicates the number of that assembly per machine.

The letters in this column indicate as follows:

- RF Parts listed up for reference
- AR Parts of which quantity can not be specified or used according to necessary quantity

(5) **Description Column**

The description column lists the parts names in English that should be used when ordering the parts. Major specifications and model numbers of electrical parts are sometimes described at the end of the name.

(6) **Remarks Column**

The parts marked * are never used before and they are newly stocked as service parts.

(7) **Country Code Column**

The country code lists available parts by country of origin. When ordering the parts, refer to the code.

SCREWS

This table covers all the parts (including options) commonly used for all products such as screw, nut, washer, retaining ring and pin. They are indicated in a three-digit form on the illustration with an alphabetical character at the head, different from general key number.

Be careful that these parts are not included in the parts list corresponding to the illustrations.

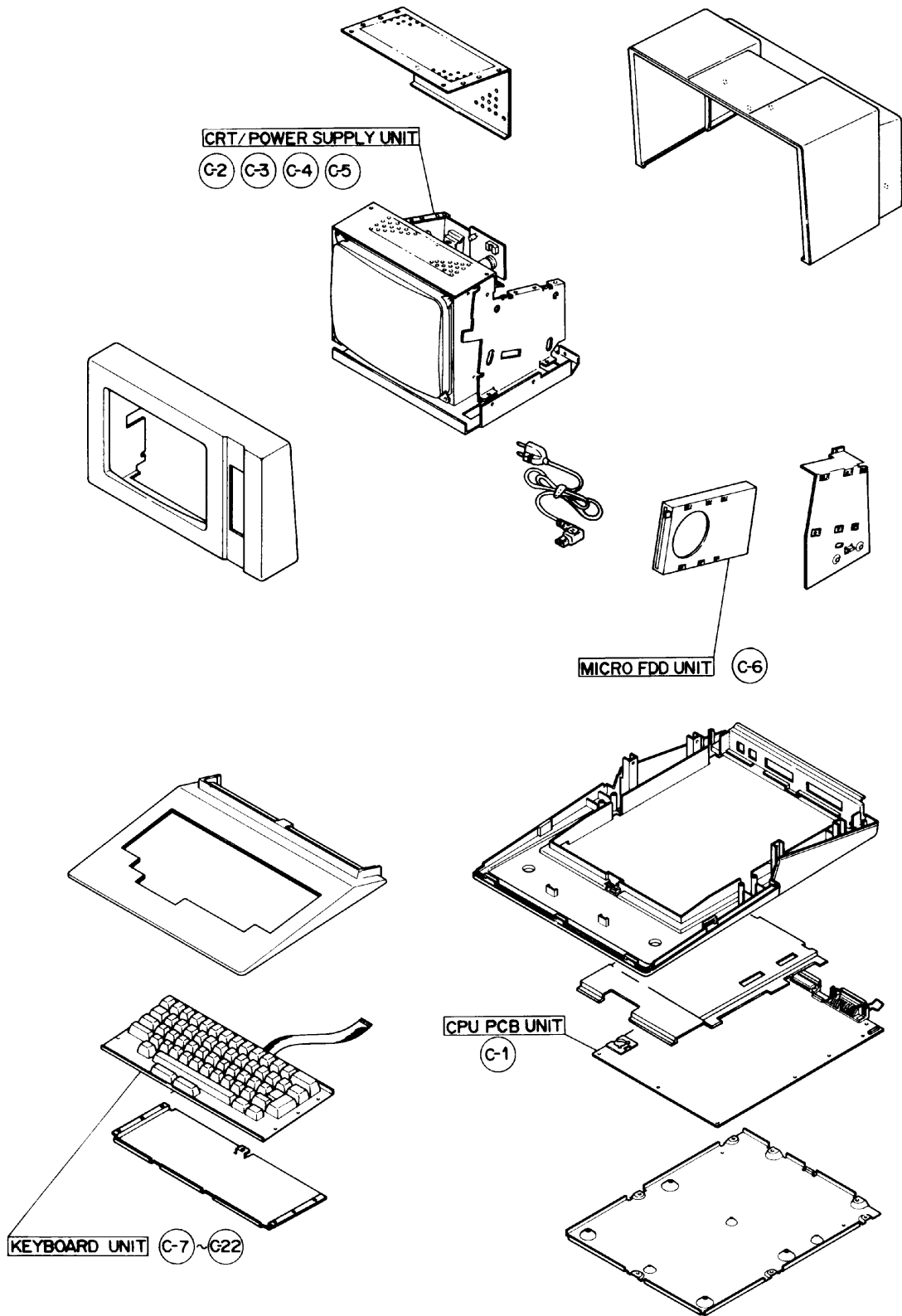
NUMERICAL INDEX

There is a Numerical Index at the end of this catalog. It lists in numerical order every Parts Number contained in the Parts List.

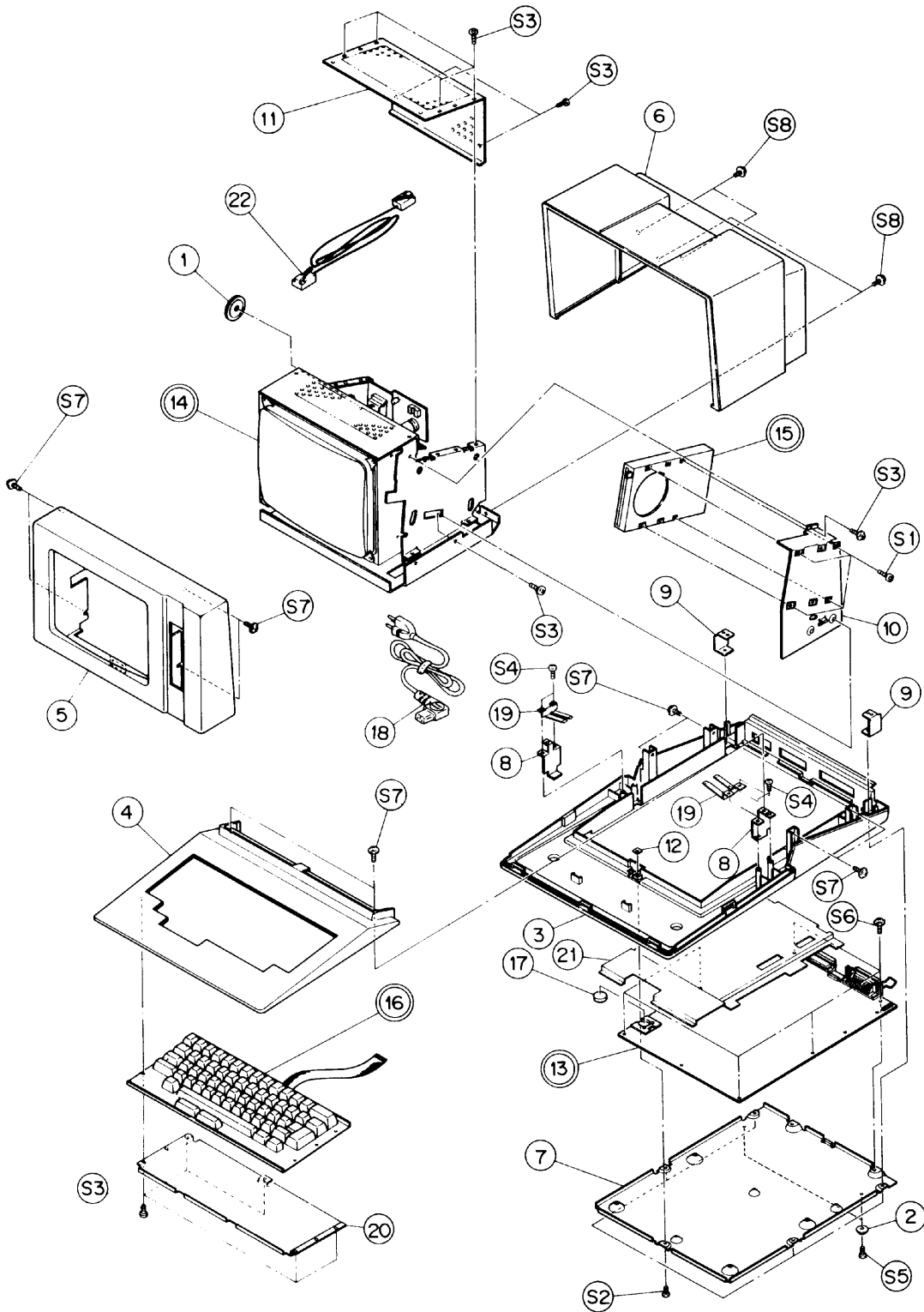
In the left section of the Numerical Index Table are Parts Number, and Figure Number and Key Number are shown in the right section.

Be careful that the Index does not include the parts numbers listed in the Screw Table.

A. ASSEMBLY LOCATION DIAGRAM



B. ASSEMBLIES



B-1

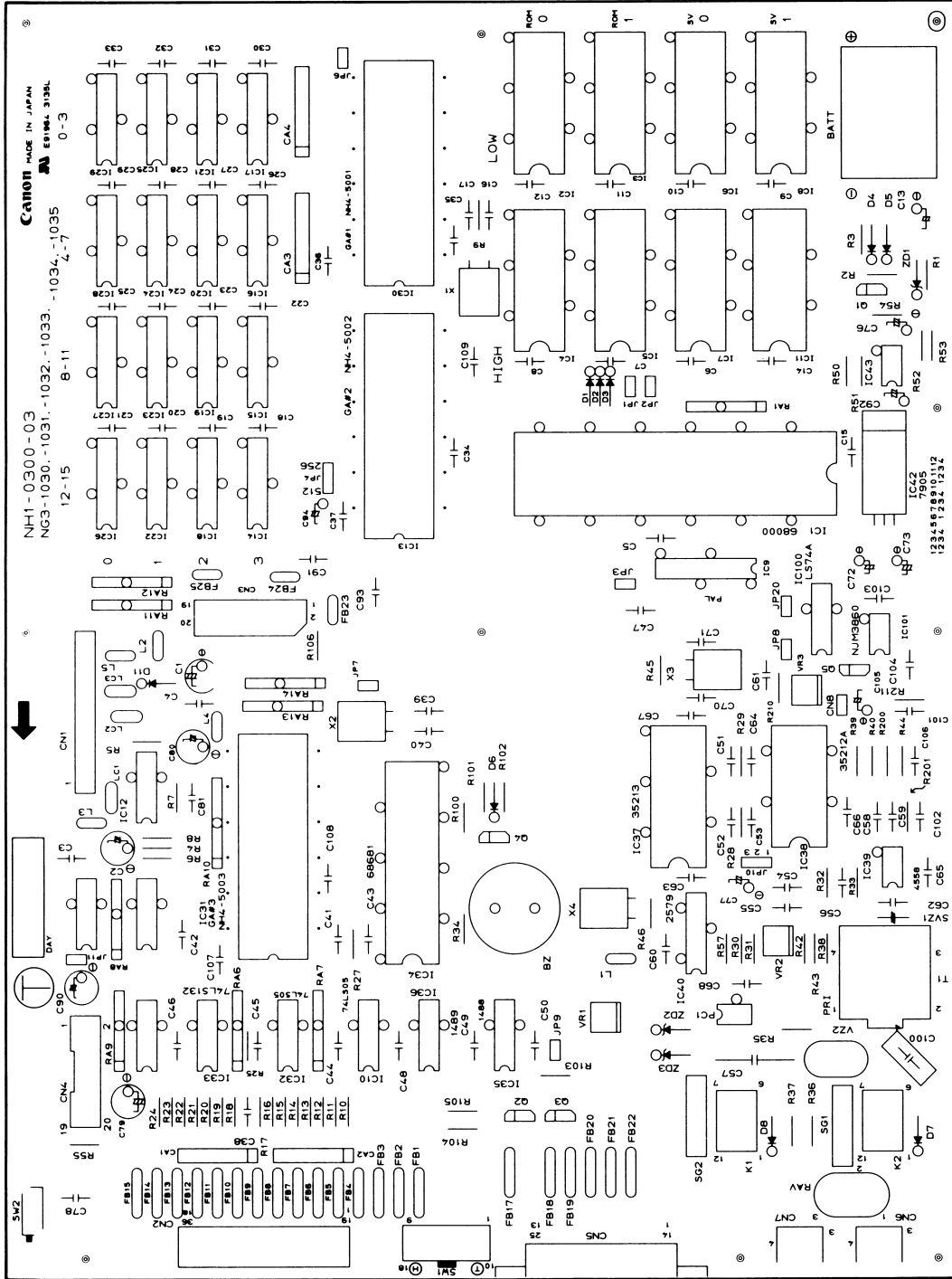
Jef Raskin Document # 062 -- Canon Cat Computer Repair Manual

B. ASSEMBLIES
[COUNTRY CODE AS SHOWN BELOW]

COUNTRY CODE:
A: USA/CANADA E: LATIN(115V) I: SWEDEN/FINLAND M: FRANCE Q: S.AFRICA
B: ASIA F: LATIN(230V) J: NETHERLANDS N: U.K. R: JAPAN
C: OCEANIA G: NORWAY K: W.GERMANY O: SPAIN
D: QUEBEC H: DENMARK L: SWITZERLAND P: ITALY

FIGURE & KEY NO.	PART NUMBER	RANK	Q'TY	DESCRIPTION	REMARKS	COUNTRY CODE
						ABCDEFGHIJKLMNOPQR.....
B 1	NA1-0868-000		1	KNOB, VARIABLE RESISTOR		ABCDEFGHIJKLMNOPQR.....
B 2	NA1-3834-000		2	RUBBER FOOT	*	ABCDEFGHIJKLMNOPQR.....
B 3	NA1-5152-000		1	BASE CASE	*	.B..EF.H.JKLMNOPQR.....
B 3	NA1-5162-000		1	BASE CASE (UL)	*	A.CD..G.I.....
B 4	NF1-1103-000		1	KEYBOARD COVER ASSEMBLY	*	.B..EF.H.JKLMNOPQR.....
B 4	NF1-1105-000		1	KEYBOARD COVER ASSEMBLY	*	A.CD..G.I.....
B 5	NA1-5154-000		1	ESCUTCHEON	*	.B..EF.H.JKLMNOPQR.....
B 5	NA1-5164-000		1	ESCUTCHEON	*	A.CD..G.I.....
B 6	NA1-5155-000		1	CRT COVER	*	.B..EF.H.JKLMNOPQR.....
B 6	NA1-5165-000		1	CRT COVER (UL)	*	A.CD..G.I.....
B 7	NA1-5156-000		1	BASE PLATE	*	ABCDEFGHIJKLMNOPQR.....
B 8	NA1-5157-000		2	EARTH PLATE A	*	ABCDEFGHIJKLMNOPQR.....
B 9	NA1-5158-000		2	EARTH PLATE B	*	ABCDEFGHIJKLMNOPQR.....
B 10	NA1-5159-000		1	MOUNTING PLATE, FDD	*	ABCDEFGHIJKLMNOPQR.....
B 11	NA1-5160-000		1	SHIELD PLATE, CRT	*	ABCDEFGHIJKLMNOPQR.....
B 12	NA9-0116-000		1	PLATE NUT	*	ABCDEFGHIJKLMNOPQR.....
B 13	NG3-1030-000	N	1	CPU PCB UNIT	*FRU	A.....R.....
B 13	NG3-1031-000	N	1	CPU PCB UNIT	*FRU	...D.....
B 13	NG3-1032-000	N	1	CPU PCB UNIT	*FRU	..C.....N.....
B 13	NG3-1033-000	N	1	CPU PCB UNIT	*FRUM.....
B 13	NG3-1034-000	N	1	CPU PCB UNIT	*FRUK.....
B 13	NG3-1035-000	N	1	CPU PCB UNIT	*FRU	.B..EFGHIJ.L..OPQ.....
B 14	NS5-0656-000	N	1	CRT/POWER SUPPLY UNIT MATSU	*FRU	A.....
B 14	NS5-0661-000	N	1	CRT/POWER SUPPLY UNIT GOLDSTAR	*FRU	A..DE.....
B 14	NS5-0662-000	N	1	CRT/POWER SUPPLY UNIT GOLDSTAR	*FRUR.....
B 14	NS5-0663-000	N	1	CRT/POWER SUPPLY UNIT GOLDSTAR	*FRU	.BC..FGHIJKLMNOPQ.....
B 15	NS5-0659-000	N	1	MICRO FDD UNIT	*FRU	ABCDEFGHIJKLMNOPQR.....
B 16	NS5-0688-000	N	1	KEYBOARD UNIT	*FRU	ABC.....
B 16	NS5-0689-000	N	1	KEYBOARD UNIT	*FRU	...D.....
B 16	NS5-0690-000	N	1	KEYBOARD UNIT	*FRU	...EF.....
B 16	NS5-0691-000	N	1	KEYBOARD UNIT	*FRUG.....
B 16	NS5-0692-000	N	1	KEYBOARD UNIT	*FRUH.....
B 16	NS5-0693-000	N	1	KEYBOARD UNIT	*FRUI.....
B 16	NS5-0694-000	N	1	KEYBOARD UNIT	*FRUJ.....
B 16	NS5-0695-000	N	1	KEYBOARD UNIT	*FRUK.....
B 16	NS5-0696-000	N	1	KEYBOARD UNIT	*FRUL.....
B 16	NS5-0697-000	N	1	KEYBOARD UNIT	*FRUM.....
B 16	NS5-0698-000	N	1	KEYBOARD UNIT	*FRUN.....
B 16	NS5-0699-000	N	1	KEYBOARD UNIT	*FRUO.....
B 16	NS5-0700-000	N	1	KEYBOARD UNIT	*FRUP.....
B 16	NS5-0701-000	N	1	KEYBOARD UNIT	*FRUQ.....
B 16	NS5-0702-000	N	1	KEYBOARD UNIT	*FRUR.....
B 17	WK1-0013-000	X	1	LITHIUM BATTERY CR-2032		ABCDEFGHIJKLMNOPQR.....
B 18	WT3-0027-000		1	POWER SUPPLY CORD 120V		A..D.....
B 18	WT3-0028-000		1	POWER SUPPLY CORD 230V	GHIJKLM.OPQ.....
B 18	WT3-0029-000		1	POWER SUPPLY CORD 240V		..C.....
B 18	WT3-0030-000		1	POWER SUPPLY CORD 100,115V		.B..EF.....R.....
B 18	WT3-9064-000		1	POWER SUPPLY CORD 240V	N.....
B 19	NA1-5804-000		2	SPRING, EARTH	*	ABCDEFGHIJKLMNOPQR.....
B 20	NA1-5803-000		1	SHIELD PLATE, KEYBOARD	*	ABCDEFGHIJKLMNOPQR.....
B 21	NA1-5793-000		1	SHIELD PLATE, CPU PCB	*	ABCDEFGHIJKLMNOPQR.....
B 22	HH2-1265-000		1	Modular cord	*	ABC R.....

C-1. CPU PCB UNIT



C-1

Jef Raskin Document # 062 -- Canon Cat Computer Repair Manual

C-1. CPU PCB UNIT
 [COUNTRY CODE AS SHOWN BELOW]

COUNTRY CODE:

A: USA/CANADA E: LATIN(115V) I: SWEDEN/FINLAND M: FRANCE Q: S.AFRICA
 B: ASIA F: LATIN(230V) J: NETHERLANDS N: U.K. R: JAPAN
 C: OCEANIA G: NORWAY K: W.GERMANY O: SPAIN
 D: QUEBEC H: DENMARK L: SWITZERLAND P: ITALY

FIGURE & KEY NO.	PART NUMBER	RANK	Q'TY	DESCRIPTION	REMARKS	COUNTRY CODE ABCDEFGHIJKLMNOPQR.....
C-1	NH1-0300-000	X	1	CPU P.C. BOARD	*	ABCDEFGHIJKLMNOPQR.....
C-1 BATT	NF1-0878-000		1	BATTERY BOX ASSEMBLY		ABCDEFGHIJKLMNOPQR.....
C-1 BZ	WR1-0039-000		1	BUZZER PKM24-4A0		.BC.EFGHIJKLMNOPQ.....
C-1 BZ	WR1-0049-000		1	BUZZER, CB 20PA		A..D.....R.....
C-1 C 1	VC1-2251-227		1	ALUMINUM CAP. 220UF 25V	*	ABCDEFGHIJKLMNOPQR.....
C-1 C 2	VC1-2251-107		1	ALUMINUM CAP. 100UF 25V	*	ABCDEFGHIJKLMNOPQR.....
C-1 C 3	VC5-4450-105		1	FILM CAP. 1UF 50V		.BC.EFGHIJKLMNOPQ.....
C-1 C 3	WA8-0135-000		10	VARISTOR MFC 125AX333M		A..D.....R.....
§						
C-1 C 12						
C-1 C 4	VC2-3252-105		1	TANTALUM CAPACITOR 1UF 25V		.BC.EFGHIJKLMNOPQ.....
C-1 C 5	VC9-1428-000		8	CERAMIC CAP. 0.1UF 25V -25/80	*	.BC.EFGHIJKLMNOPQ.....
§						
C-1 C 12						
C-1 C 13	VC1-2161-226		1	ALUMINUM CAP. 22UF 16V		.BC.EFGHIJKLMNOPQ.....
C-1 C 13	VC5-3590-476		1	ALUMINUM CAP. 47UF 10V		A..D.....R.....
C-1 C 14	VC9-1428-000		1	CERAMIC CAP. 0.1UF 25V -25/80	*	.BC.EFGHIJKLMNOPQ.....
C-1 C 14	WA8-0135-000		1	VARISTOR MFC 125AX333M		A..D.....R.....
C-1 C 15	VC9-1428-000		1	CERAMIC CAP. 0.1UF 25V -25/80	*	.BC.EFGHIJKLMNOPQ.....
C-1 C 15	WA8-0135-000		1	VARISTOR MFC 125AX333M		A..D.....R.....
C-1 C 16	VC5-1700-100		1	CERAMIC CAP. 10PF 50V -25/85		.BC.EFGHIJKLMNOPQ.....
C-1 C 16	VC5-3460-330		1	CERAMIC CAP. 33PF 50V -25/80		A..D.....R.....
C-1 C 17	VC5-1700-100		1	CERAMIC CAP. 10PF 50V -25/85		.BC.EFGHIJKLMNOPQ.....
C-1 C 17	VC5-3460-330		1	CERAMIC CAP. 33PF 50V -25/80		A..D.....R.....
C-1 C 18	VC9-1428-000		20	CERAMIC CAP. 0.1UF 25V -25/80	*	.BC.EFGHIJKLMNOPQ.....
§						
C-1 C 37						
C-1 C 19	WA8-0135-000		1	VARISTOR MFC 125AX333M		A..D.....R.....
C-1 C 20	WA8-0135-000		1	VARISTOR MFC 125AX333M		A..D.....R.....
C-1 C 21	WA8-0135-000		1	VARISTOR MFC 125AX333M		A..D.....R.....
C-1 C 23	WA8-0135-000		1	VARISTOR MFC 125AX333M		A..D.....R.....
C-1 C 24	WA8-0135-000		1	VARISTOR MFC 125AX333M		A..D.....R.....
C-1 C 25	WA8-0135-000		1	VARISTOR MFC 125AX333M		A..D.....R.....
C-1 C 27	WA8-0135-000		1	VARISTOR MFC 125AX333M		A..D.....R.....
C-1 C 28	WA8-0135-000		1	VARISTOR MFC 125AX333M		A..D.....R.....
C-1 C 29	WA8-0135-000		1	VARISTOR MFC 125AX333M		A..D.....R.....
C-1 C 31	WA8-0135-000		7	VARISTOR MFC 125AX333M		A..D.....R.....
§						
C-1 C 37						
C-1 C 38	VC5-1700-101		1	CERAMIC CAP. 100PF 50V -25/85	*	ABCDEFGHIJKLMNOPQR.....
C-1 C 40	VC5-8010-050		1	CERAMIC CAP. 5PF 50V -25/85		.BC.EFGHIJKLMNOPQ.....
C-1 C 41	VC9-1428-000		10	CERAMIC CAP. 0.1UF 25V -25/80	*	.BC.EFGHIJKLMNOPQ.....
§						
C-1 C 50						
C-1 C 41	WA8-0135-000		10	VARISTOR MFC 125AX333M		A..D.....R.....
§						
C-1 C 50						
C-1 C 51	VC9-1428-000		1	CERAMIC CAP. 0.1UF 25V -25/80	*	ABCDEFGHIJKLMNOPQR.....
C-1 C 52	VC5-1710-471		1	CERAMIC CAP. 470PF 50V -25/85	*	A..D.....R.....
C-1 C 53	VC9-1428-000		1	CERAMIC CAP. 0.1UF 25V -25/80	*	ABCDEFGHIJKLMNOPQR.....
C-1 C 54	VC9-1428-000		1	CERAMIC CAP. 0.1UF 25V -25/80	*	ABCDEFGHIJKLMNOPQR.....
C-1 C 55	VC9-1428-000		1	CERAMIC CAP. 0.1UF 25V -25/80	*	ABCDEFGHIJKLMNOPQR.....
C-1 C 56	VC5-1710-102		1	CERAMIC CAP. 1000PF 50V -25/85	*	A..D.....R.....

C-2

Jef Raskin Document # 062 -- Canon Cat Computer Repair Manual

C-1. CPU PCB UNIT
[COUNTRY CODE AS SHOWN BELOW]

COUNTRY CODE:

A: USA/CANADA E: LATIN(115V) I: SWEDEN/FINLAND M: FRANCE Q: S.AFRICA
B: ASIA F: LATIN(230V) J: NETHERLANDS N: U.K. R: JAPAN
C: OCEANIA G: NORWAY K: W.GERMANY O: SPAIN
D: QUEBEC H: DENMARK L: SWITZERLAND P: ITALY

FIGURE & KEY NO.	PART NUMBER	RANK	Q'TY	DESCRIPTION	REMARKS	COUNTRY CODE
						ABCDEFGHIJKLMNOPQR.....
C-1 C 57	VC5-9870-474		1	CERAMIC CAP. 470000PF -45/85	*	A..D.....R.....
C-1 C 58	VC5-1710-471		1	CERAMIC CAP. 470PF 50V -25/85	*	A..D.....R.....
C-1 C 59	VC5-1710-102		1	CERAMIC CAP. 1000PF 50V -25/85	*	A..D.....R.....
C-1 C 60	WA8-0135-000		1	VARIATOR MFC 125AX333M		A..D.....R.....
C-1 C 62	VC9-1428-000		6	CERAMIC CAP. 0.1UF 25V -25/80	*	.BC.EFGHIJKLMNOQ.....
C-1 C 67						
C-1 C 62	WA8-0135-000		6	VARIATOR MFC 125AX333M		A..D.....R.....
C-1 C 67						
C-1 C 68	VC5-1680-222		1	CERAMIC CAP. 2200PF 50V -25/85		A..D.....R.....
C-1 C 70	VC5-1700-200		1	CERAMIC CAP. 20PF 50V -25/85	*	A..D.....R.....
C-1 C 71	VC5-1700-200		1	CERAMIC CAP. 20PF 50V -25/85	*	A..D.....R.....
C-1 C 72	VC1-2251-107		1	ALUMINUM CAP. 100UF 25V	*	ABCDEFGHIJKLMNOQR.....
C-1 C 73	VC1-2251-107		1	ALUMINUM CAP. 100UF 25V	*	ABCDEFGHIJKLMNOQR.....
C-1 C 76	VC1-2101-105		1	ALUMINUM CAP. 1UF 10V	*	ABCDEFGHIJKLMNOQR.....
C-1 C 77	VC1-2161-107		1	ALUMINUM CAP. 100UF 16V	*	ABCDEFGHIJKLMNOQR.....
C-1 C 78	VC1-2161-475		1	ALUMINUM CAP. 4.7UF 16V		.BC.EFGHIJKLMNOQ.....
C-1 C 79	VC1-2161-107		1	ALUMINUM CAP. 100UF 16V	*	ABCDEFGHIJKLMNOQR.....
C-1 C 80	VC1-2251-476		1	ALUMINUM CAP. 47UF 25V		A..D.....R.....
C-1 C 81	WA8-0135-000		1	VARIATOR MFC 125AX333M		A..D.....R.....
C-1 C 90	VC1-2251-476		1	ALUMINUM CAP. 47UF 25V		A..D.....R.....
C-1 C 91	WA8-0135-000		1	VARIATOR MFC 125AX333M		A..D.....R.....
C-1 C 92	VC5-2580-336		1	ALUMINUM CAP. 33UF 16V		A..D.....R.....
C-1 C 93	VC5-1710-102		1	CERAMIC CAP. 1000PF 50V -25/85	*	A..D.....R.....
C-1 C 94	VC1-2101-105		1	ALUMINUM CAP. 1UF 10V		A..D.....R.....
C-1 C100	VC6-1310-473		1	FILM CAPACITOR 0.047UF 400V		A..D.....R.....
C-1 C101	VC5-1710-102		1	CERAMIC CAP. 1000PF 50V -25/85	*	A..D.....R.....
C-1 C102	VC5-1710-102		1	CERAMIC CAP. 1000PF 50V -25/85	*	A..D.....R.....
C-1 C107	WA8-0135-000		1	VARIATOR MFC 125AX333M		A..D.....R.....
C-1 C108	WA8-0135-000		1	VARIATOR MFC 125AX333M		A..D.....R.....
C-1 C109	VC5-3460-330		1	CERAMIC CAP. 33PF 50V -25/80		A..D.....R.....
C-1 CA 1	VC9-1508-000		1	CAP. ARRAY 100PF 50V X7	*	ABCDEFGHIJKLMNOQR.....
C-1 CA 2	VC9-1508-000		1	CAP. ARRAY 100PF 50V X7	*	ABCDEFGHIJKLMNOQR.....
C-1 CA 3	VC5-8700-101		1	CAP. ARRAY 100PF 50V X8		A..D.....R.....
C-1 CA 4	VC5-8700-101		1	CAP. ARRAY 100PF 50V X8		A..D.....R.....
C-1 CN 1	VS1-0025-009		1	PIN CONNECTOR 9PIN	*	ABCDEFGHIJKLMNOQR.....
C-1 CN 2	VS1-0765-036		1	CONNECTOR 36PIN	*	ABCDEFGHIJKLMNOQR.....
C-1 CN 3	VS1-0706-020		1	CONNECTOR 20PIN	*	ABCDEFGHIJKLMNOQR.....
C-1 CN 4	VS1-0714-020		1	CONNECTOR 20PIN	*	ABCDEFGHIJKLMNOQR.....
C-1 CN 5	VS1-0727-025		1	CONNECTOR 25PIN		.BC.EFGHIJKLMNOQ.....
C-1 CN 5	VS1-0823-025		1	CONNECTOR 25PIN		A.....R.....
C-1 CN 6	WS8-0025-000		1	CONNECTOR 6PIN (MODULAR JACK)	*	A..D.....R.....
C-1 CN 7	WS8-0025-000		1	CONNECTOR 6PIN (MODULAR JACK)	*	A..D.....R.....
C-1 D 1	WA1-0068-000		1	DIODE 1S2075K	*	ABCDEFGHIJKLMNOQR.....
C-1 D 2	WA1-0068-000		1	DIODE 1S2075K	*	ABCDEFGHIJKLMNOQR.....
C-1 D 3	WA1-0068-000		1	DIODE 1S2075K	*	ABCDEFGHIJKLMNOQR.....
C-1 D 4	WA1-0068-000		1	DIODE 1S2075K	*	ABCDEFGHIJKLMNOQR.....
C-1 D 5	WA1-0068-000		1	DIODE 1S2075K	*	ABCDEFGHIJKLMNOQR.....
C-1 D 6	WA1-0068-000		1	DIODE 1S2075K	*	ABCDEFGHIJKLMNOQR.....
C-1 D 7	WA1-0630-000		1	DIODE EMO1Z		A..D.....R.....
C-1 D 8	WA1-0630-000		1	DIODE EMO1Z		A..D.....R.....
C-1 D 10	WA1-0444-000		1	DIODE EK03		.BC.EFGHIJKLMNOQ.....
C-1 D 11	WA1-0068-000		1	DIODE 1S2075K	*	ABCDEFGHIJKLMNOQR.....

C-3

Jef Raskin Document # 062 -- Canon Cat Computer Repair Manual

C-1. CPU PCB UNIT
[COUNTRY CODE AS SHOWN BELOW]

COUNTRY CODE:

A: USA/CANADA E: LATIN(115V) I: SWEDEN/FINLAND M: FRANCE Q: S.AFRICA
B: ASIA F: LATIN(230V) J: NETHERLANDS N: U.K. R: JAPAN
C: OCEANIA G: NORWAY K: W.GERMANY O: SPAIN
D: QUEBEC H: DENMARK L: SWITZERLAND P: ITALY

FIGURE & KEY NO.	PART NUMBER	RANK	Q'TY	DESCRIPTION	REMARKS	COUNTRY CODE
						ABCDEFGHIJKLMNOPQR.....
C-1 FB 1 S	WE8-0012-000		23	DATA LINE FILTER		.BC.EFGHIJKLMNQP.....
C-1 FB 23 C-1 FB 1 S	WE8-0060-000		15	FERRITE BEAD		A..D.....R.....
C-1 FB 15 C-1 FB 17 S	WE8-0060-000		8	FERRITE BEAD		A..D.....R.....
C-1 FB 25 C-1 FB 25	WE8-0012-000		1	DATA LINE FILTER		.BC.EFGHIJKLMNQP.....
C-1 FB 26	WE8-0012-000		1	DATA LINE FILTER		.BC.EFGHIJKLMNQP.....
C-1 IC 1	WA3-1847-000		1	MOS LSI MC68000P8(CPU)	*	ABCDEFGHIJKLMNQP.....
C-1 IC 2	NH7-0097-000		1	MOS LSI MEM27C512-25(B91U**)	*	A..D.....R.....
C-1 IC 2	WA9-0058-000		1	IC SOCKET 28PIN	*	ABCDEFGHIJKLMNQP.....
C-1 IC 3	NH7-0099-000		1	MOS LSI MEM27C512-25(B93U**)	*	A..D.....R.....
C-1 IC 3	WA9-0058-000		1	IC SOCKET 28PIN	*	A..D.....R.....
C-1 IC 4	NH7-0098-000		1	MOS LSI MEM27C512-25(B92U**)	*	A..D.....R.....
C-1 IC 4	WA9-0058-000		1	IC SOCKET 28PIN	*	ABCDEFGHIJKLMNQP.....
C-1 IC 5	NH7-0100-000		1	MOS LSI MEM27C512-25(B94U**)	*	A..D.....R.....
C-1 IC 5	WA9-0058-000		1	IC SOCKET 28PIN	*	A..D.....R.....
C-1 IC 6	NH7-0684-000		1	MOS LSI HG62301A-C11(MASK ROM)		A.....R.....
C-1 IC 6	NH7-0724-000		1	MOS LSI HG62301APC38		.C.....N.....
C-1 IC 6	NH7-0813-000		1	MOS LSI HG62301APD28		.D.....M.....
C-1 IC 6	NH7-1019-000		1	MOS LSI MB831000-15P-263	K.....
C-1 IC 6	WA9-0058-000		1	IC SOCKET 28PIN	*	.BC.EFGHIJKLMNQP.....
C-1 IC 7	NH7-0814-000		1	MOS LSI HG62301APD29		.D.....M.....
C-1 IC 7	NH7-1020-000		1	MOS LSI MB831000-15P-264	K.....
C-1 IC 7	WA9-0058-000		1	IC SOCKET 28PIN	*	.BC.EFGHIJKLMNQP.....
C-1 IC 8	NH7-1021-000		1	MOS LSI MB831000-15P-265	K.....
C-1 IC 8	WA9-0058-000		1	IC SOCKET 28PIN	*	.BC.EFGHIJKLMNQP.....
C-1 IC 10	WA3-0894-000		1	TTL IC HD74LS05P	*	ABCDEFGHIJKLMNQP.....
C-1 IC 11	WA3-3177-000		1	MOS LSI UPD4364C-15LL (RAM)		ABCDEFGHIJKLMNQP.....
C-1 IC 12	WA3-0434-000		1	TTL IC SN74128N		ABCDEFGHIJKLMNQP.....
C-1 IC 13	NH4-5002-000		1	MOS LSI UPD65012 CW-191	*	ABCDEFGHIJKLMNQP.....
C-1 IC 18	WA9-0067-000		1	IC SOCKET 8P		ABCDEFGHIJKLMNQP.....
C-1 IC 19	WA9-0067-000		1	IC SOCKET 8P		ABCDEFGHIJKLMNQP.....
C-1 IC 20	WA9-0067-000		1	IC SOCKET 8P		ABCDEFGHIJKLMNQP.....
C-1 IC 21	WA9-0067-000		1	IC SOCKET 8P		ABCDEFGHIJKLMNQP.....
C-1 IC 22 S	WA3-3023-000		8	MOS LSI MB81464-15 (RAM)		A..D.....R.....
C-1 IC 29						
C-1 IC 30	NH4-5001-000		1	MOS LSI UPD65013 CW-276	*	ABCDEFGHIJKLMNQP.....
C-1 IC 31	NH4-5003-000		1	MOS LSI UPD65012 CW-141	*	ABCDEFGHIJKLMNQP.....
C-1 IC 32	WA3-0894-000		1	TTL IC HD74LS05P	*	ABCDEFGHIJKLMNQP.....
C-1 IC 33	WA3-1197-000		1	TTL IC HD74LS132P		ABCDEFGHIJKLMNQP.....
C-1 IC 34	WA3-3048-000		1	MOS LSI MC68681(DUART)	*	ABCDEFGHIJKLMNQP.....
C-1 IC 35	WA4-0722-000		1	IC UA1488PC	*	ABCDEFGHIJKLMNQP.....
C-1 IC 36	WA4-0723-000		1	IC UA1489APC	*	ABCDEFGHIJKLMNQP.....
C-1 IC 37	WA4-0770-000		1	MOS LSI S35213	*	A..D.....R.....
C-1 IC 38	WA4-0769-000		1	MOS LSI S35212A	*	A..D.....R.....
C-1 IC 39	WA4-0808-000		1	IC MPC 4558C		A..D.....R.....

Jef Raskin Document # 062 -- Canon Cat Computer Repair Manual

C-1. CPU PCB UNIT
[COUNTRY CODE AS SHOWN BELOW]

COUNTRY CODE:

A: USA/CANADA E: LATIN(115V) I: SWEDEN/FINLAND M: FRANCE Q: S.AFRICA
B: ASIA F: LATIN(230V) J: NETHERLANDS N: U.K. R: JAPAN
C: OCEANIA G: NORWAY K: W.GERMANY O: SPAIN
D: QUEBEC H: DENMARK L: SWITZERLAND P: ITALY

FIGURE & KEY NO.	PART NUMBER	RANK	Q'TY	DESCRIPTION	REMARKS	COUNTRY CODE
						ABCDEFGHIJKLMNOPQR.....
C-1 IC 40	WA4-0771-000		1	MOS LSI S2579	*	A..D.....R.....
C-1 IC 42	WA4-0320-000		1	IC UPC7905H	*	ABCDEFGHIJKLMNOPQR.....
C-1 IC 43	WA4-0626-000		1	IC MB3771-M	*	ABCDEFGHIJKLMNOPQR.....
C-1 IC 44	WA3-0343-000		1	TTL IC 74LS38N		.BC.EFGHIJKLMNOPQ.....
C-1 IC 45	WA3-0881-000		1	TTL IC HD74LS14P		.BC.EFGHIJKLMNOPQ.....
C-1 IC 46	WA3-0343-000		1	TTL IC 74LS38N		.BC.EFGHIJKLMNOPQ.....
C-1 IC100	WA3-0137-000		1	TTL IC SN74LS74A		A..D.....R.....
C-1 K 1	WB1-0135-000		1	RELAY 66E-134P-US	*	A..D.....R.....
C-1 K 2	WB1-0135-000		1	RELAY 66E-134P-US	*	A..D.....R.....
C-1 L 1	WE2-0068-000		1	CHOKE COIL 1UH		ABCDEFGHIJKLMNOPQR.....
C-1 L 2	WE2-0068-000		1	CHOKE COIL 1UH		.BC.EFGHIJKLMNOPQ.....
C-1 L 2	WE8-0060-000		1	FERRITE BEAD		A..D.....R.....
C-1 L 3	WE2-0068-000		1	CHOKE COIL 1UH		.BC.EFGHIJKLMNOPQ.....
C-1 L 3	WE8-0060-000		1	FERRITE BEAD		A..D.....R.....
C-1 L 4	WE2-0068-000		1	CHOKE COIL 1UH		ABCDEFGHIJKLMNOPQR.....
C-1 L 5	WE8-0060-000		1	FERRITE BEAD		A..D.....R.....
C-1 LC 1	WE8-0060-000		1	FERRITE BEAD		A..D.....R.....
C-1 LC 2	WE8-0060-000		1	FERRITE BEAD		A..D.....R.....
C-1 LC 3	WE8-0060-000		1	FERRITE BEAD		A..D.....R.....
C-1 PC 1	WG8-0150-000		1	RING DETECTOR PC733H	*	A..D.....R.....
C-1 Q 1	WA2-0876-000		1	TRANSISTOR RN2201		.BC.EFGHIJKLMNOPQ.....
C-1 Q 1	WA2-0882-000		1	TRANSISTOR RN2206		A..D.....R.....
C-1 Q 2	WA2-0796-000		1	TRANSISTOR RN1201	*	A..D.....R.....
C-1 Q 3	WA2-0796-000		1	TRANSISTOR RN1201	*	A..D.....R.....
C-1 Q 4	WA2-0796-000		1	TRANSISTOR RN1201	*	ABCDEFGHIJKLMNOPQR.....
C-1 R 1	VR1-1143-332		1	RESISTOR 3.3K OHM 1/4W	*	.BC.EFGHIJKLMNOPQ.....
C-1 R 1	VR1-1143-473		1	RESISTOR 47K OHM 1/4W	*	A..D.....R.....
C-1 R 2	VR1-1143-473		1	RESISTOR 47K OHM 1/4W	*	ABCDEFGHIJKLMNOPQR.....
C-1 R 3	VR1-1143-102		1	RESISTOR 1K OHM 1/4W	*	ABCDEFGHIJKLMNOPQR.....
C-1 R 4	VR1-1143-331		1	RESISTOR 330 OHM 1/4W	*	.BC.EFGHIJKLMNOPQ.....
C-1 R 4	VR5-0043-300		1	METAL RESISTOR 330 OHM 1/4W		A..D.....R.....
C-1 R 5	VR1-1143-102		1	RESISTOR 1K OHM 1/4W	*	.BC.EFGHIJKLMNOPQ.....
C-1 R 5	VR5-0041-001		1	METAL RESISTOR 1K OHM 1/4W		A..D.....R.....
C-1 R 6	VR1-1143-470		1	RESISTOR 47 OHM 1/4W		.BC.EFGHIJKLMNOPQ.....
C-1 R 6	VR5-0044-709		1	METAL RESISTOR 47 OHM 1/4W		A..D.....R.....
C-1 R 7	VR1-1143-102		1	RESISTOR 1K OHM 1/4W	*	ABCDEFGHIJKLMNOPQR.....
C-1 R 8	VR1-1143-102		1	RESISTOR 1K OHM 1/4W	*	ABCDEFGHIJKLMNOPQR.....
C-1 R 9	VR1-1143-105		1	RESISTOR 1M OHM 1/4W	*	ABCDEFGHIJKLMNOPQR.....
C-1 R 10	VR1-1143-100		9	RESISTOR 10 OHM 1/4W	*	ABCDEFGHIJKLMNOPQR.....
S						
C-1 R 18					
C-1 R 19	VR1-1143-101		6	RESISTOR 100 OHM 1/4W	*	ABCDEFGHIJKLMNOPQR.....
S						
C-1 R 24					
C-1 R 25	VR1-1143-102		1	RESISTOR 1K OHM 1/4W	*	ABCDEFGHIJKLMNOPQR.....
C-1 R 26	VR1-1143-101		1	RESISTOR 100 OHM 1/4W	*	.BC.EFGHIJKLMNOPQ.....
C-1 R 27	VR1-1143-332		1	RESISTOR 3.3K OHM 1/4W	*	ABCDEFGHIJKLMNOPQR.....
C-1 R 28	VR5-0040-223		1	METAL RESISTOR 22K OHM 1/4W		A..D.....R.....
C-1 R 29	VR5-0041-102		1	METAL RESISTOR 11K OHM 1/4W	*	A..D.....R.....
C-1 R 30	VR5-0041-102		1	METAL RESISTOR 11K OHM 1/4W	*	A..D.....R.....
C-1 R 31	VR5-0041-692		1	METAL RESISTOR 16.9K OHM 1/4W		A..D.....R.....
C-1 R 32	VR5-0041-912		1	METAL RESISTOR 19.1K OHM 1/4W		A..D.....R.....
C-1 R 33	VR5-0043-402		1	METAL RESISTOR 34K OHM 1/4W		A..D.....R.....
C-1 R 34	VR1-1143-473		1	RESISTOR 47K OHM 1/4W	*	A..D.....R.....
C-1 R 35	VR1-1143-473		1	RESISTOR 47K OHM 1/4W	*	A..D.....R.....
C-1 R 36	VR5-2950-100		1	METAL OXIDE RES. 10 OHM 1/2W	*	A..D.....R.....

C-5

Jef Raskin Document # 062 -- Canon Cat Computer Repair Manual

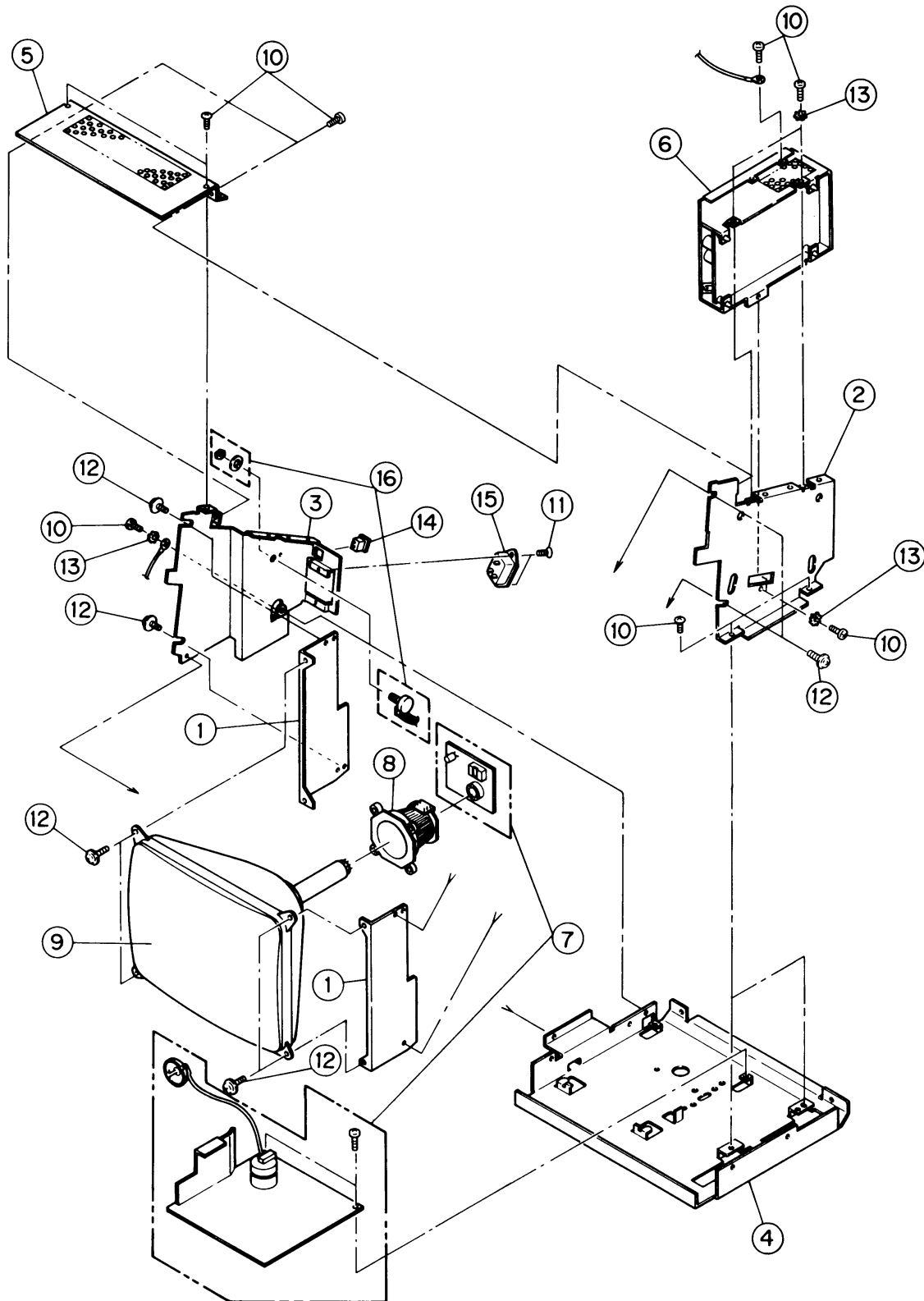
C-1. CPU PCB UNIT
[COUNTRY CODE AS SHOWN BELOW]

COUNTRY CODE:

A: USA/CANADA E: LATIN(115V) I: SWEDEN/FINLAND M: FRANCE Q: S.AFRICA
B: ASIA F: LATIN(230V) J: NETHERLANDS N: U.K. R: JAPAN
C: OCEANIA G: NORWAY K: W.GERMANY O: SPAIN
D: QUEBEC H: DENMARK L: SWITZERLAND P: ITALY

FIGURE & KEY NO.	PART NUMBER	RANK	Q'TY	DESCRIPTION	REMARKS	COUNTRY CODE ABCDEFGHIJKLMNOPQR.....
C-1 R 37	VRS-2950-100		1	METAL OXIDE RES. 10 OHM 1/2W	*	A..D.....R.....
C-1 R 38	VRS-0044-750		1	METAL RESISTOR 475 OHM 1/4W	*	A..D.....R.....
C-1 R 39	VRS-0040-223		1	METAL RESISTOR 22K OHM 1/4W	*	A..D.....R.....
C-1 R 40	VRS-0043-322		1	METAL RESISTOR 33.2K OHM 1/4W	*	A..D.....R.....
C-1 R 42	VRS-0040-223		1	METAL RESISTOR 22K OHM 1/4W	*	A..D.....R.....
C-1 R 43	VRS-0040-223		1	METAL RESISTOR 22K OHM 1/4W	*	A..D.....R.....
C-1 R 44	VRS-0041-102		1	METAL RESISTOR 11K OHM 1/4W	*	A..D.....R.....
C-1 R 45	VR1-1143-106		1	RESISTOR 10M OHM 1/4W	*	A..D.....R.....
C-1 R 46	VR1-1143-106		1	RESISTOR 10M OHM 1/4W	*	A..D.....R.....
C-1 R 50	VRS-0048-062		1	METAL RESISTOR 80.6K OHM 1/4W	*	ABCDEFGHIJKLMNOPQR.....
C-1 R 51	VRS-0042-802		1	METAL RESISTOR 28K OHM 1/4W	*	ABCDEFGHIJKLMNOPQR.....
C-1 R 52	VR1-1143-335		1	RESISTOR 3.3M OHM 1/4W	*	ABCDEFGHIJKLMNOPQR.....
C-1 R 53	VR1-1143-475		1	RESISTOR 4.7M OHM 1/4W	*	ABCDEFGHIJKLMNOPQR.....
C-1 R 54	VR1-1143-332		1	RESISTOR 3.3K OHM 1/4W	*	ABCDEFGHIJKLMNOPQR.....
C-1 R 55	VR1-1143-102		1	RESISTOR 1K OHM 1/4W	*	.BC.EFGHIJKLMNOPQ.....
C-1 R 55	VR1-1143-332		1	RESISTOR 3.3K OHM 1/4W	*	A..D.....R.....
C-1 R 56	VR1-1143-200		1	RESISTOR 20 OHM 1/4W	*	.BC.EFGHIJKLMNOPQ.....
C-1 R 57	VR1-1143-103		1	RESISTOR 10K OHM 1/4W	*	A..D.....R.....
C-1 R100	VR1-1143-332		1	RESISTOR 3.3K OHM 1/4W	*	A..D.....R.....
C-1 R100	VR1-1143-472		1	RESISTOR 4.7K OHM 1/4W	*	.BC.EFGHIJKLMNOPQ.....
C-1 R101	VR1-1143-102		1	RESISTOR 1K OHM 1/4W	*	.BC.EFGHIJKLMNOPQ.....
C-1 R101	VR1-1143-103		1	RESISTOR 10K OHM 1/4W	*	A..D.....R.....
C-1 R102	VR1-1143-103		1	RESISTOR 10K OHM 1/4W	*	A..D.....R.....
C-1 R102	VR1-1143-472		1	RESISTOR 4.7K OHM 1/4W	*	.BC.EFGHIJKLMNOPQ.....
C-1 R103	VR1-1143-103		1	RESISTOR 10K OHM 1/4W	*	A..D.....R.....
C-1 R104	VR1-1143-103		1	RESISTOR 10K OHM 1/4W	*	A..D.....R.....
C-1 R105	VR1-1143-103		1	RESISTOR 10K OHM 1/4W	*	A..D.....R.....
C-1 R106	VR1-1143-221		1	RESISTOR 220 OHM 1/4W	*	A..D.....R.....
C-1 R200	VRS-0041-102		1	METAL RESISTOR 11K OHM 1/4W	*	A..D.....R.....
C-1 R201	VRS-0044-222		1	METAL RESISTOR 42.2K OHM 1/4W	*	A..D.....R.....
C-1 RA 1	VRS-0410-332		1	RESISTOR ARRAY 3.3K OHM 1/8WX7	*	ABCDEFGHIJKLMNOPQR.....
C-1 RA 2	VRS-0580-101		1	RESISTOR ARRAY 100 OHM 1/8WX4	*	.BC.EFGHIJKLMNOPQ.....
C-1 RA 3	VRS-0580-101		1	RESISTOR ARRAY 100 OHM 1/8WX4	*	.BC.EFGHIJKLMNOPQ.....
C-1 RA 4	VRS-0580-101		1	RESISTOR ARRAY 100 OHM 1/8WX4	*	.BC.EFGHIJKLMNOPQ.....
C-1 RA 5	VRS-0580-101		1	RESISTOR ARRAY 100 OHM 1/8WX4	*	.BC.EFGHIJKLMNOPQ.....
C-1 RA 6	VRS-0410-102		1	RESISTOR ARRAY 1K OHM 1/8WX7	*	ABCEEFGHIJKLMNOPQR.....
C-1 RA 7	VRS-0410-102		1	RESISTOR ARRAY 1K OHM 1/8WX7	*	ABCEEFGHIJKLMNOPQR.....
C-1 RA 8	VRS-0410-102		1	RESISTOR ARRAY 1K OHM 1/8WX7	*	ABCEEFGHIJKLMNOPQR.....
C-1 RA 9	VRS-0410-472		1	METAL RESISTOR 4.7K OHM 1/4W	*	ABCDEFGHIJKLMNOPQR.....
C-1 RA 11	VRS-0580-221		1	RESISTOR ARRAY 220 OHM 1/8W X4	*	A..D.....R.....
C-1 RA 12	VRS-0580-221		1	RESISTOR ARRAY 220 OHM 1/8W X4	*	A..D.....R.....
C-1 RA 13	VRS-0580-221		1	RESISTOR ARRAY 220 OHM 1/8W X4	*	A..D.....R.....
C-1 RA 14	VRS-0580-221		1	RESISTOR ARRAY 220 OHM 1/8W X4	*	A..D.....R.....
C-1 RAV	WA8-0129-000		1	SURGE ABSORBER RAV-361LD	*	A..D.....R.....
C-1 SVZ 1	WA8-0038-000		1	VARIATOR VR-61SS	*	A..D.....R.....
C-1 SW 1	WC3-0078-000		1	SLIDE SWITCH	*	ABCDEFGHIJKLMNOPQR.....
C-1 SW 2	WC8-0114-000		1	PUSH SWITCH, SPJ312TE1S	*	ABCDEFGHIJKLMNOPQR.....
C-1 T 1	WE1-0028-000		1	POWER TRANSFORMER	*	A..D.....R.....
C-1 VZ 2	WA8-0040-000		1	VARIATOR SNR-14P470K	*	A..D.....R.....
C-1 X 1	WK2-0358-000		1	CRYSTAL OSCILLATOR 19.968MHZ	*	ABCDEFGHIJKLMNOPQR.....
C-1 X 2	WK2-0359-000		1	CRYSTAL OSCILLATOR 3.6864MHZ	*	.BC.EFGHIJKLMNOPQ.....
C-1 X 3	WK2-0360-000		1	CRYSTAL OSCILLATOR 2.4576MHZ	*	A..D.....R.....
C-1 X 4	WK2-0008-000		1	CRYSTAL OSC. 3579.545KHZ	*	A..D.....R.....
C-1 ZD 1	WA1-0503-000		1	ZENER DIODE HZ3BLL	*	ABCDEFGHIJKLMNOPQR.....
C-1 ZD 2	WA1-0088-000		1	ZENER DIODE HZ15-2	*	A..D.....R.....
C-1 ZD 3	WA1-0088-000		1	ZENER DIODE HZ15-2	*	A..D.....R.....

C-2. CRT/POWER SUPPLY UNIT (MATSUSHITA)



C-7

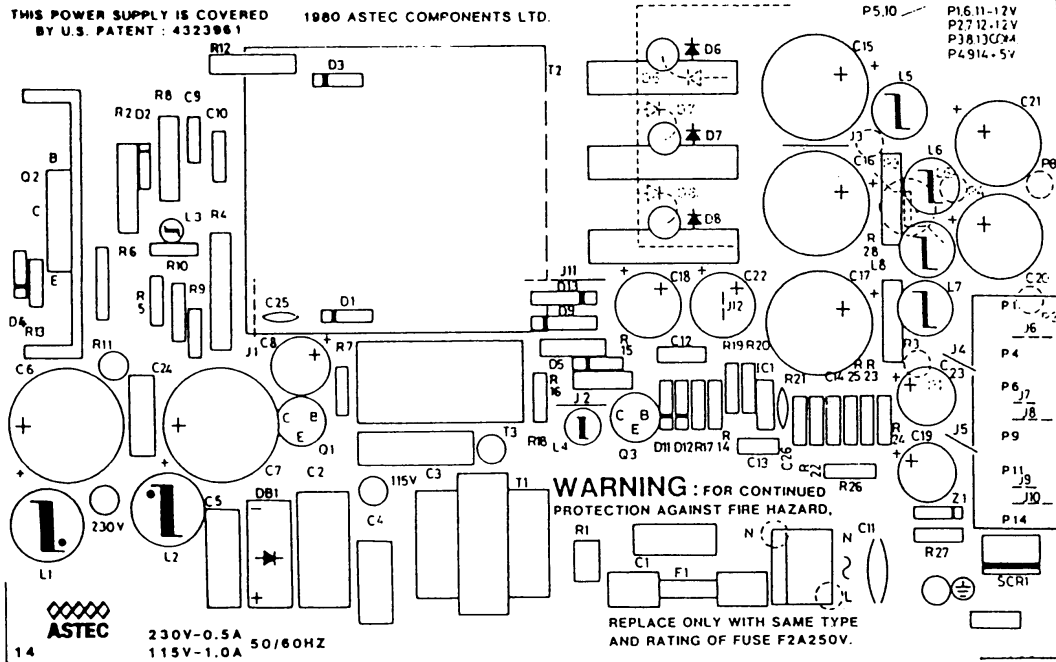
C-2. CRT/POWER SUPPLY UNIT
 [COUNTRY CODE AS SHOWN BELOW]

COUNTRY CODE:

A: USA/CANADA E: LATIN(115V) I: SWEDEN/FINLAND M: FRANCE Q: S.AFRICA
 B: ASIA F: LATIN(230V) J: NETHERLAND N: U.K. R: JAPAN
 C: OCEANIA G: NORWAY K: W.GERMANY O: SPAIN
 D: QUEBEC H: DENMARK L: SWITZERLAND P: ITALY

FIGURE & KEY NO.	PART NUMBER	RANK	Q'TY	DESCRIPTION	REMARKS	COUNTRY CODE
						ABCDEFGHIJKLMNOPQR.....
C-2 1	NY7-6600-000		2	HOLDING PLATE, CRT	*	A.....
C-2 2	NY7-6601-000		1	SIDE PLATE (RIGHT)	*	A.....
C-2 3	NY7-6602-000		1	SIDE PLATE (LEFT)	*	A.....
C-2 4	NY7-6603-000		1	CRT CHASSIS	*	A.....
C-2 5	NY7-6604-000		1	SHIELD PLATE	*	A.....
C-2 6	NY7-6605-000		1	POWER SUPPLY UNIT	*	A.....
C-2 7	NY7-6606-000		1	CRT DRIVE PCB UNIT (PPH)	*	A.....
C-2 8	NY7-6607-000		1	DEFLECTION YORK	*	A.....
C-2 9	NY7-6608-000		1	CRT ASSEMBLY	*	A.....
C-2 10	NY7-6609-000		13	SCREW, PH M3X8	*	A.....
C-2 11	NY7-6610-000		2	SCREW, FTH M3X8	*	A.....
C-2 12	NY7-6565-000		8	SCREW, M4X8	*	A.....
C-2 13	NY7-6653-000		3	WASHER	*	A.....
C-2 14	NY7-6654-000		1	POWER SWITCH	*	A.....
C-2 15	NY7-6656-000		1	RECEPTACLE	*	A.....
C-2 16	NY7-6657-000		1	BRIGHTNESS VR.	*	A.....

C-3. POWER SUPPLY UNIT



C-3. POWER SUPPLY UNIT
[COUNTRY CODE AS SHOWN BELOW]

COUNTRY CODE:

- | | | | | |
|---------------|----------------|-------------------|-----------|-------------|
| A: USA/CANADA | E: LATIN(115V) | I: SWEDEN/FINLAND | M: FRANCE | Q: S.AFRICA |
| B: ASIA | F: LATIN(230V) | J: NETHERLAND | N: U.K. | R: JAPAN |
| C: OCEANIA | G: NORWAY | K: W.GERMANY | O: SPAIN | |
| D: QUEBEC | H: DENMARK | L: SWITZERLAND | P: ITALY | |

FIGURE & KEY NO.	PART NUMBER	RANK	Q'TY	DESCRIPTION	REMARKS	COUNTRY CODE ABCDEFGHIJKLMNQPQR.....
C-3 C 1	NY7-6620-000		1	FILM CAP. 0.01UF 250V	*	A.....
C-3 C 2	NY7-6618-000		1	FILM CAP. 0.22UF 250V	*	A.....
C-3 C 3	NY7-6621-000		1	MPR CAP. 4700PF 250V	*	A.....
C-3 C 4	NY7-6611-000		1	CERAMIC CAP. 4700PF 250V	*	A.....
C-3 C 5	NY7-6617-000		1	FILM CAP. 0.22UF 250V	*	A.....
C-3 C 6	NY7-6613-000		1	ALUMINUM CAP. 100UF 250V	*	A.....
C-3 C 7	NY7-6613-000		1	ALUMINUM CAP. 100UF 250V	*	A.....
C-3 C 8	NY7-6615-000		1	ALUMINUM CAP. 220UF 10V	*	A.....
C-3 C 9	NY7-6649-000		1	CERAMIC CAP. 470PF 2KV	*	A.....
C-3 C 11	NY7-6620-000		1	FILM CAP. 0.01UF 250V	*	A.....
C-3 C 12	NY7-6619-000		1	FILM CAP. 0.22UF 100V	*	A.....
C-3 C 13	NY7-6622-000		1	FILM CAP. 0.22UF 100V	*	A.....
C-3 C 14	NY7-6619-000		1	FILM CAP. 0.22UF 100V	*	A.....
C-3 C 15	NY7-6614-000		1	FILM CAP. 1000UF 16V	*	A.....
C-3 C 16	NY7-6614-000		1	FILM CAP. 1000UF 16V	*	A.....
C-3 C 17	NY7-6614-000		1	FILM CAP. 1000UF 16V	*	A.....
C-3 C 18	NY7-6616-000		1	ALUMINUM CAP. 330UF 16V	*	A.....
C-3 C 20	NY7-6648-000		1	ALUMINUM CAP. 470UF 25V	*	A.....
C-3 C 24	NY7-6617-000		1	FILM CAP. 0.22UF 250V	*	A.....

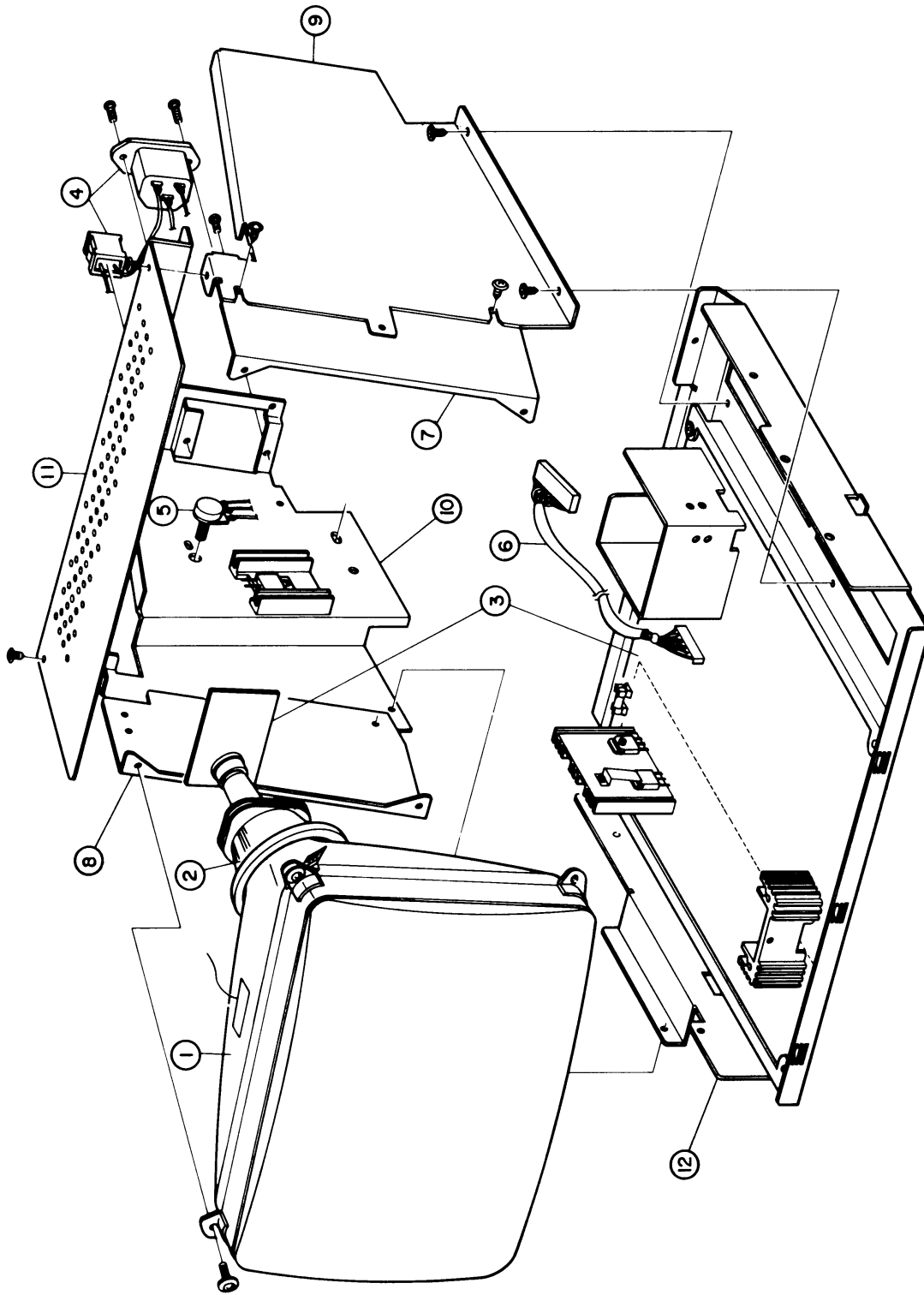
C-9

C-3. POWER SUPPLY UNIT
 [COUNTRY CODE AS SHOWN BELOW]

COUNTRY CODE:
 A: USA/CANADA E: LATIN(115V) I: SWEDEN/FINLAND M: FRANCE Q: S.AFRICA
 B: ASIA F: LATIN(230V) J: NETHERLAND N: U.K. R: JAPAN
 C: OCEANIA G: NORWAY K: W.GERMANY O: SPAIN
 D: QUEBEC H: DENMARK L: SWITZERLAND P: ITALY

FIGURE & KEY NO.	PART NUMBER	RANK	Q'TY	DESCRIPTION	REMARKS	COUNTRY CODE
						ABCDEFGHIJKLMNOPQR.....
C-3 C 25	NY7-6612-000		1	CERAMIC CAP. 0.01UF 100V	*	A.....
C-3 D 1	WA1-0283-000		1	DIODE V19B	*	A.....
C-3 D 2	NY7-6628-000		1	DIODE RGP10J	*	A.....
C-3 D 3	NY7-6631-000		1	DIODE RGP10M	*	A.....
C-3 D 4	NY7-6630-000		1	DIODE 1N4001GP	*	A.....
C-3 D 5	NY7-6626-000		1	DIODE 1N4606	*	A.....
C-3 D 6	NY7-6647-000		1	DIODE	*	A.....
C-3 D 7	NY7-6646-000		1	DIODE	*	A.....
C-3 D 8	NY7-6646-000		1	DIODE	*	A.....
C-3 D 9	NY7-6629-000		1	DIODE RGP10B	*	A.....
C-3 D 11	NY7-6626-000		1	DIODE 1N4606	*	A.....
C-3 D 12	NY7-6626-000		1	DIODE 1N4606	*	A.....
C-3 D 13	NY7-6630-000		1	DIODE 1N4001GP	*	A.....
C-3 DB 1	NY7-6632-000		1	DIODE BRIDGE KBP08-5001	*	A.....
C-3 F 1	NY7-6623-000		1	FUSE 2A 250V	*	A.....
C-3 IC 1	NY7-6625-000		1	IC AS431	*	A.....
C-3 L 3	NY7-6639-000		1	INDUCTOR 2.2UH	*	A.....
C-3 L 4	NY7-6640-000		1	INDUCTOR 1.5MH	*	A.....
C-3 L 5	NY7-6644-000		1	CHOKE COIL	*	A.....
C-3 L 6	NY7-6644-000		1	CHOKE COIL	*	A.....
C-3 L 7	NY7-6641-000		1	CHOKE COIL	*	A.....
C-3 Q 1	X65-6177-000		1	TRANSISTOR 2SC1213A	*	A.....
C-3 Q 2	NY7-6624-000		1	TRANSISTOR 2SC1942-20	*	A.....
C-3 Q 3	WA2-0093-000		1	TRANSISTOR 2SB561	*	A.....
C-3 R 1	NY7-6638-000		1	RESISTOR 4 OHM	*	A.....
C-3 R 2	NY7-6634-000		1	RESISTOR 330K OHM 1/2W	*	A.....
C-3 R 3	NY7-6637-000		1	RESISTOR 180 OHM 1W	*	A.....
C-3 R 4	NY7-6652-000		1	RESISTOR 33 OHM 3W	*	A.....
C-3 R 5	VR1-1143-102		1	RESISTOR 1K OHM 1/4W	*	A.....
C-3 R 6	VR1-1143-270		1	RESISTOR 27 OHM 1/4W	*	A.....
C-3 R 7	VR1-1143-680		1	RESISTOR 68 OHM 1/4W	*	A.....
C-3 R 8	NY7-6650-000		1	RESISTOR 120 OHM 1W	*	A.....
C-3 R 9	VR1-1143-100		1	RESISTOR 10 OHM 1/4W	*	A.....
C-3 R 10	VR1-1143-100		1	RESISTOR 10 OHM 1/4W	*	A.....
C-3 R 11	NY7-6635-000		1	RESISTOR 0.75 OHM 1W	*	A.....
C-3 R 12	NY7-6636-000		1	RESISTOR 1 OHM 1W	*	A.....
C-3 R 13	VR1-1143-569		1	RESISTOR 5.6 OHM 1/4W	*	A.....
C-3 R 14	VR1-1143-330		1	RESISTOR 33 OHM 1/4W	*	A.....
C-3 R 15	NY7-6651-000		1	RESISTOR 270 OHM 1W	*	A.....
C-3 R 16	NY7-6651-000		1	RESISTOR 270 OHM 1W	*	A.....
C-3 R 17	VR1-1143-829		1	RESISTOR 8.2 OHM 1/4W	*	A.....
C-3 R 18	VR1-1143-561		1	RESISTOR 560 OHM 1/4W	*	A.....
C-3 R 19	VR1-1143-560		1	RESISTOR 56 OHM 1/4W	*	A.....
C-3 R 20	VR1-1143-680		1	RESISTOR 68 OHM 1/4W	*	A.....
C-3 R 21	VR1-1143-331		1	RESISTOR 330 OHM 1/4W	*	A.....
C-3 R 22	VR1-1143-471		1	RESISTOR 470 OHM 1/4W	*	A.....
C-3 R 23	VR1-1143-472		1	RESISTOR 4.7K OHM 1/4W	*	A.....
C-3 R 24	VR1-1143-272		1	RESISTOR 2.7K OHM 1/4W	*	A.....
C-3 R 25	VR1-1143-223		1	RESISTOR 22K OHM 1/4W	*	A.....
C-3 R 26	VR1-1143-683		1	RESISTOR 68K OHM 1/4W	*	A.....
C-3 R 27	VR1-1143-220		1	RESISTOR 22 OHM 1/4W	*	A.....
C-3 SCR 1	NY7-6633-000		1	THYRISTOR C122U	*	A.....
C-3 T 1	NY7-6645-000		1	TRANSFORMER	*	A.....
C-3 T 2	NY7-6642-000		1	TRANSFORMER	*	A.....
C-3 T 3	NY7-6643-000		1	TRANSFORMER	*	A.....
C-3 Z 1	NY7-6627-000		1	ZENER DIODE A40MA	*	A.....

C-4. CRT/POWER SUPPLY UNIT (GOLDSTAR)



C-11

C-4. CRT/POWER SUPPLY UNIT (GOLDSTAR)
 [COUNTRY CODE AS SHOWN BELOW]

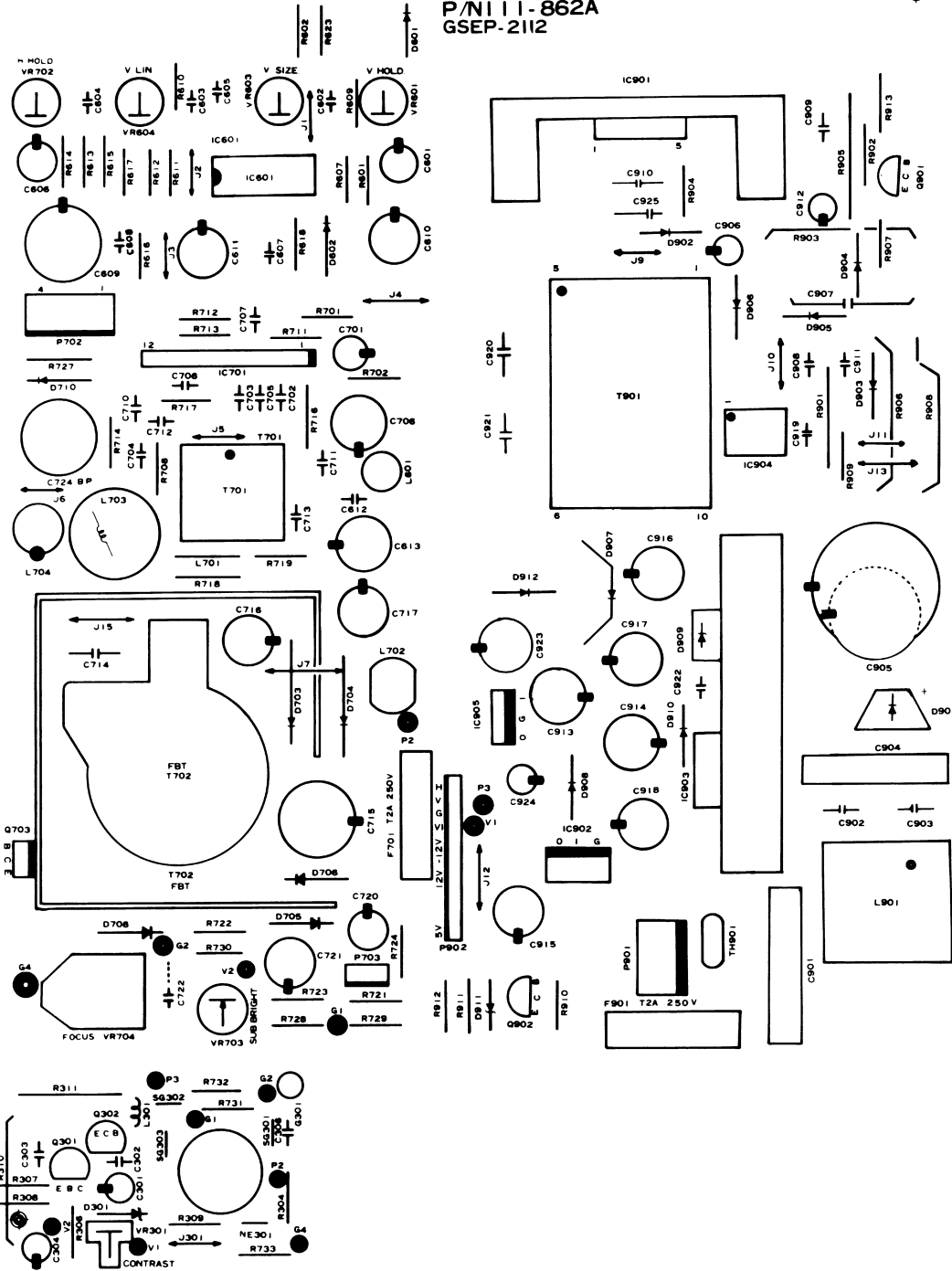
COUNTRY CODE:

A: USA/CANADA E: LATIN(115V) I: SWEDEN/FINLAND M: FRANCE Q: S.AFRICA
 B: ASIA F: LATIN(230V) J: NETHERLAND N: U.K. R: JAPAN
 C: OCEANIA G: NORWAY K: W.GERMANY O: SPAIN
 D: QUEBEC H: DENMARK L: SWITZERLAND P: ITALY

FIGURE & KEY NO.	PART NUMBER	RANK	Q'TY	DESCRIPTION	REMARKS	COUNTRY CODE
						ABCDEFGHIJKLMNPOQR.....
C-4 1	NY7-0931-000		1	CRT ASSEMBLY	*	A.....
C-4 2	NY7-0932-000		1	DEFLECTION YORK	*	A.....
C-4 3	NY7-0933-000		1	CRT/POWER PCB UNIT (PPH)	*	A.....
C-4 4	NY7-0934-000		1	SWITCH/RECEPTACLE ASSEMBLY	*	A.....
C-4 5	NY7-0935-000		1	BRIGHT VOLUME ASSEMBLY	*	A.....
C-4 6	NY7-0936-000		1	CABLE ASSEMBLY	*	A.....
C-4 7	NY7-0937-000		1	HOLDING PLATE(RIGHT), CRT	*	A.....
C-4 8	NY7-0938-000		1	HOLDING PLATE(LEFT), CRT	*	A.....
C-4 9	NY7-0939-000		1	SIDE PLATE(RIGHT), CRT	*	A.....
C-4 10	NY7-0940-000		1	SIDE PLATE(LEFT), CRT	*	A.....
C-4 11	NY7-0941-000		1	SHIELD PLATE, CRT	*	A.....
C-4 12	NY7-0942-000		1	PCB SUPPORTER ASSEMBLY	*	A.....

C-5. CRT/POWER SUPPLY PCB ASSEMBLY

GOLD STAR Co., Ltd
P/N 111-862A
GSEP-2112



C-13

C-5. CRT/POWER SUPPLY PCB ASSEMBLY
[COUNTRY CODE AS SHOWN BELOW]

COUNTRY CODE:

A: USA/CANADA E: LATIN(115V) I: SWEDEN/FINLAND M: FRANCE Q: S.AFRICA
B: ASIA F: LATIN(230V) J: NETHERLANDS N: U.K. R: JAPAN
C: OCEANIA G: NORWAY K: W.GERMANY O: SPAIN
D: QUEBEC H: DENMARK L: SWITZERLAND P: ITALY

FIGURE & KEY NO.	PART NUMBER	RANK	Q'TY	DESCRIPTION	REMARKS	COUNTRY CODE
						A.....
C-5 C301	NY7-0810-000		1	ALUMINUM CAP. 47UF 16V		A.....
C-5 C302	NY7-0828-000		1	CERAMIC CAP. 0.01UF 50V		A.....
C-5 C303	NY7-0802-000		1	CERAMIC CAP. 100PF		A.....
C-5 C304	NY7-0820-000		1	ALUMINUM CAP. 2.2UF 100V		A.....
C-5 C306	NY7-0826-000		1	CERAMIC CAP. 0.0022UF 500V		A.....
C-5 C601	NY7-0815-000		1	ALUMINUM CAP. 0.1UF 50V		A.....
C-5 C602	NY7-0862-000		1	FILM CAP. 0.1UF 100V		A.....
C-5 C603	NY7-0862-000		1	FILM CAP. 0.1UF 100V		A.....
C-5 C604	NY7-0862-000		1	FILM CAP. 0.1UF 100V		A.....
C-5 C605	NY7-0804-000		1	CERAMIC CAP. 270PF		A.....
C-5 C606	NY7-0813-000		1	ALUMINUM CAP. 22UF 25V		A.....
C-5 C607	NY7-0862-000		1	FILM CAP. 0.1UF 100V		A.....
C-5 C608	NY7-0803-000		1	CERAMIC CAP. 120PF 50V		A.....
C-5 C609	NY7-0809-000		1	ALUMINUM CAP. 220UF 16V		A.....
C-5 C610	NY7-0808-000		1	ALUMINUM CAP. 220UF 16V		A.....
C-5 C611	NY7-0814-000		1	ALUMINUM CAP. 220UF 25V		A.....
C-5 C612	NY7-0829-000		1	CERAMIC CAP. 0.1UF 50V		A.....
C-5 C613	NY7-0807-000		1	ALUMINUM CAP. 1000UF 16V		A.....
C-5 C701	NY7-0817-000		1	ALUMINUM CAP. 2.2UF 50V		A.....
C-5 C702	NY7-0831-000		1	FILM CAP. 0.015UF 100V		A.....
C-5 C703	NY7-0831-000		1	FILM CAP. 0.015UF 100V		A.....
C-5 C705	NY7-0828-000		1	CERAMIC CAP. 0.01UF 50V		A.....
C-5 C706	NY7-0808-000		1	ALUMINUM CAP. 220UF 16V		A.....
C-5 C707	NY7-0832-000		1	CERAMIC CAP. 0.0022UF		A.....
C-5 C708	NY7-0860-000		1	FILM CAP. 0.0056UF 100V		A.....
C-5 C710	NY7-0864-000		1	FILM CAP. 0.0027UF 100V		A.....
C-5 C711	NY7-0833-000		1	FILM CAP. 0.022UF 100V		A.....
C-5 C712	NY7-0833-000		1	FILM CAP. 0.022UF 100V		A.....
C-5 C713	NY7-0834-000		1	FILM CAP. 0.033UF 100V		A.....
C-5 C714	NY7-0867-000		1	FILM CAP. 0.012UF 400V		A.....
C-5 C715	NY7-0818-000		1	ALUMINUM CAP. 470UF 50V		A.....
C-5 C716	NY7-0808-000		1	ALUMINUM CAP. 220UF 16V		A.....
C-5 C717	NY7-0808-000		1	ALUMINUM CAP. 220UF 16V		A.....
C-5 C720	NY7-0819-000		1	ALUMINUM CAP. 10UF 100V		A.....
C-5 C721	NY7-0806-000		1	ALUMINUM CAP. 47UF 100V		A.....
C-5 C722	NY7-0827-000		1	CERAMIC CAP. 0.01UF 1KV		A.....
C-5 C724	NY7-0824-000		1	ALUMINUM CAP. 3.3UF 50V		A.....
C-5 C901	NY7-0859-000		1	FILM CAP. 0.1UF 125V		A.....
C-5 C902	NY7-0836-000		1	CERAMIC CAP. 0.0022UF		A.....
C-5 C903	NY7-0836-000		1	CERAMIC CAP. 0.0022UF		A.....
C-5 C904	NY7-0859-000		1	FILM CAP. 0.1UF 125V		A.....
C-5 C905	NY7-0823-000		1	ALUMINUM CAP. 120UF 200V		A.....
C-5 C906	NY7-0812-000		1	ALUMINUM CAP. 10UF 25V		A.....
C-5 C907	NY7-0868-000		1	FILM CAP. 0.047UF 800V		A.....
C-5 C908	NY7-0835-000		1	FILM CAP. 0.0047UF 100V		A.....
C-5 C909	NY7-0861-000		1	FILM CAP. 0.033UF 100V		A.....
C-5 C910	NY7-0865-000		1	FILM CAP. 0.047UF 200V		A.....
C-5 C911	NY7-0861-000		1	FILM CAP. 0.033UF 100V		A.....
C-5 C912	NY7-0816-000		1	ALUMINUM CAP. 10UF 50V		A.....
C-5 C913	NY7-0822-000		1	ALUMINUM CAP. 1000UF 25V		A.....
C-5 C914	NY7-0822-000		1	ALUMINUM CAP. 1000UF 25V		A.....
C-5 C915	NY7-0811-000		1	ALUMINUM CAP. 470UF 16V		A.....
C-5 C916	NY7-0821-000		1	ALUMINUM CAP. 1600UF 10V		A.....
C-5 C917	NY7-0821-000		1	ALUMINUM CAP. 1600UF 10V		A.....
C-5 C918	NY7-0805-000		1	ALUMINUM CAP. 2200UF 10V		A.....
C-5 C919	NY7-0833-000		1	FILM CAP. 0.022UF 100V		A.....
C-5 C920	NY7-0836-000		1	CERAMIC CAP. 0.0022UF		A.....
C-5 C921	NY7-0836-000		1	CERAMIC CAP. 0.0022UF		A.....
C-5 C922	NY7-0804-000		1	CERAMIC CAP. 270PF		A.....
C-5 C923	NY7-0929-000		1	ALUMINUM CAP. 220UF 25V		A.....

Jef Raskin Document # 062 -- Canon Cat Computer Repair Manual

C-5. CRT/POWER SUPPLY PCB ASSEMBLY
 [COUNTRY CODE AS SHOWN BELOW]

COUNTRY CODE:

A: USA/CANADA E: LATIN(115V) I: SWEDEN/FINLAND M: FRANCE Q: S.AFRICA
 B: ASIA F: LATIN(230V) J: NETHERLANDS N: U.K. R: JAPAN
 C: OCEANIA G: NORWAY K: W.GERMANY O: SPAIN
 D: QUEBEC H: DENMARK L: SWITZERLAND P: ITALY

FIGURE & KEY NO.	PART NUMBER	RANK	Q'TY	DESCRIPTION	REMARKS	COUNTRY CODE
						A.....
C-5 C924	NY7-0810-000		1	ALUMINUM CAP. 47UF 16V		A.....
C-5 C925	NY7-0866-000		1	FILM CAP. 0.001UF 630V		A.....
C-5 D301	NY7-0846-000		1	ZENER DIODE 7.0		A.....
C-5 D601	NY7-0849-000		1	DIODE KDS 1555		A.....
C-5 D602	NY7-0908-000		1	DIODE RGP10D		A.....
C-5 D703	NY7-0910-000		1	DIODE RGP 30G		A.....
C-5 D704	NY7-0910-000		1	DIODE RGP 30G		A.....
C-5 D705	NY7-0909-000		1	DIODE RGP10J		A.....
C-5 D706	NY7-0908-000		1	DIODE RGP10D		A.....
C-5 D708	NY7-0911-000		1	DIODE RGP10M		A.....
C-5 D710	NY7-0908-000		1	DIODE RGP10D		A.....
C-5 D901	NY7-0869-000		1	DIODE RB-156		A.....
C-5 D902	NY7-0838-000		1	DIODE ES1F		A.....
C-5 D903	NY7-0908-000		1	DIODE RGP10D		A.....
C-5 D904	NY7-0908-000		1	DIODE RGP10D		A.....
C-5 D905	NY7-0908-000		1	DIODE RGP10D		A.....
C-5 D906	NY7-0908-000		1	DIODE RGP10D		A.....
C-5 D907	NY7-0837-000		1	DIODE RL4Z		A.....
C-5 D908	NY7-0908-000		1	DIODE RGP10D		A.....
C-5 D909	NY7-0918-000		1	DIODE S8S840T		A.....
C-5 D910	NY7-0908-000		1	DIODE RGP10D		A.....
C-5 D911	NY7-0906-000		1	DIODE RD5 1EB2		A.....
C-5 D912	NY7-0908-000		1	DIODE RGP10D		A.....
C-5 F901	NY7-0926-000		1	FUSE 2A250V		A.....
C-5 F902	NY7-0926-000		1	FUSE 2A250V		A.....
C-5 IC601	NY7-0848-000		1	IC TDA 1170N (V.DRIVER)		A.....
C-5 IC701	NY7-0801-000		1	IC AN 5790N (H.DRIVER)		A.....
C-5 IC901	NY7-0925-000		1	IC STR11006		A.....
C-5 IC902	NY7-0841-000		1	IC SI-3122V		A.....
C-5 IC903	NY7-0847-000		1	IC S1-3522V		A.....
C-5 IC904	NY7-0843-000		1	IC H11C4		A.....
C-5 IC905	NY7-0853-000		1	IC L78M12CV		A.....
C-5 L301	NY7-0863-000		1	COIL 2.2UH		A.....
C-5 L601	NY7-0927-000		1	CHOKE COIL 10.3UH		A.....
C-5 L701	NY7-0830-000		1	COIL, FERRITE BEAD		A.....
C-5 L702	NY7-0825-000		1	CHOKE COIL 3.3UH		A.....
C-5 L703	NY7-0842-000		1	COIL (H.SIZE)		A.....
C-5 L704	NY7-0855-000		1	COIL, (H.LIN)		A.....
C-5 L901	NY7-0854-000		1	COIL, LINE FILTER		A.....
C-5 NE301	NY7-0928-000		1	NEON LAMP 95V		A.....
C-5 P702	NY7-0858-000		1	CONNECTOR 4PIN		A.....
C-5 P703	NY7-0856-000		1	CONNECTOR 3PIN		A.....
C-5 P901	NY7-0857-000		1	CONNECTOR 2PIN		A.....
C-5 Q301	NY7-0798-000		1	TRANSISTOR 2N3P04		A.....
C-5 Q302	NY7-0852-000		1	TRANSISTOR KTC2229		A.....
C-5 Q703	NY7-0799-000		1	TRANSISTOR 2SD1163A		A.....
C-5 Q901	NY7-0851-000		1	TRANSISTOR KTC2120Y		A.....
C-5 Q902	NY7-0850-000		1	TRANSISTOR KTC1815Y		A.....
C-5 R304	NY7-0894-000		1	RESISTOR 470 OHM 1/8W		A.....
C-5 R306	NY7-0891-000		1	RESISTOR 33 OHM 1/8W		A.....
C-5 R307	NY7-0898-000		1	RESISTOR 51 OHM 1/8W		A.....
C-5 R308	NY7-0871-000		1	RESISTOR 100 OHM 1/8W		A.....
C-5 R309	NY7-0882-000		1	RESISTOR 220 OHM 1/8W		A.....
C-5 R310	NY7-0916-000		1	METAL OXIDE RES. 680 OHM 2W		A.....
C-5 R311	NY7-0913-000		1	METAL OXIDE RES. 300 OHM 1W		A.....
C-5 R601	NY7-0883-000		1	RESISTOR 22K OHM 1/8W		A.....
C-5 R602	NY7-0885-000		1	RESISTOR 2.4K OHM 1/8W		A.....
C-5 R607	NY7-0874-000		1	RESISTOR 120K OHM 1/8W		A.....
C-5 R609	NY7-0876-000		1	RESISTOR 130K OHM 1/8W		A.....
C-5 R610	NY7-0897-000		1	RESISTOR 470K OHM 1/8W		A.....

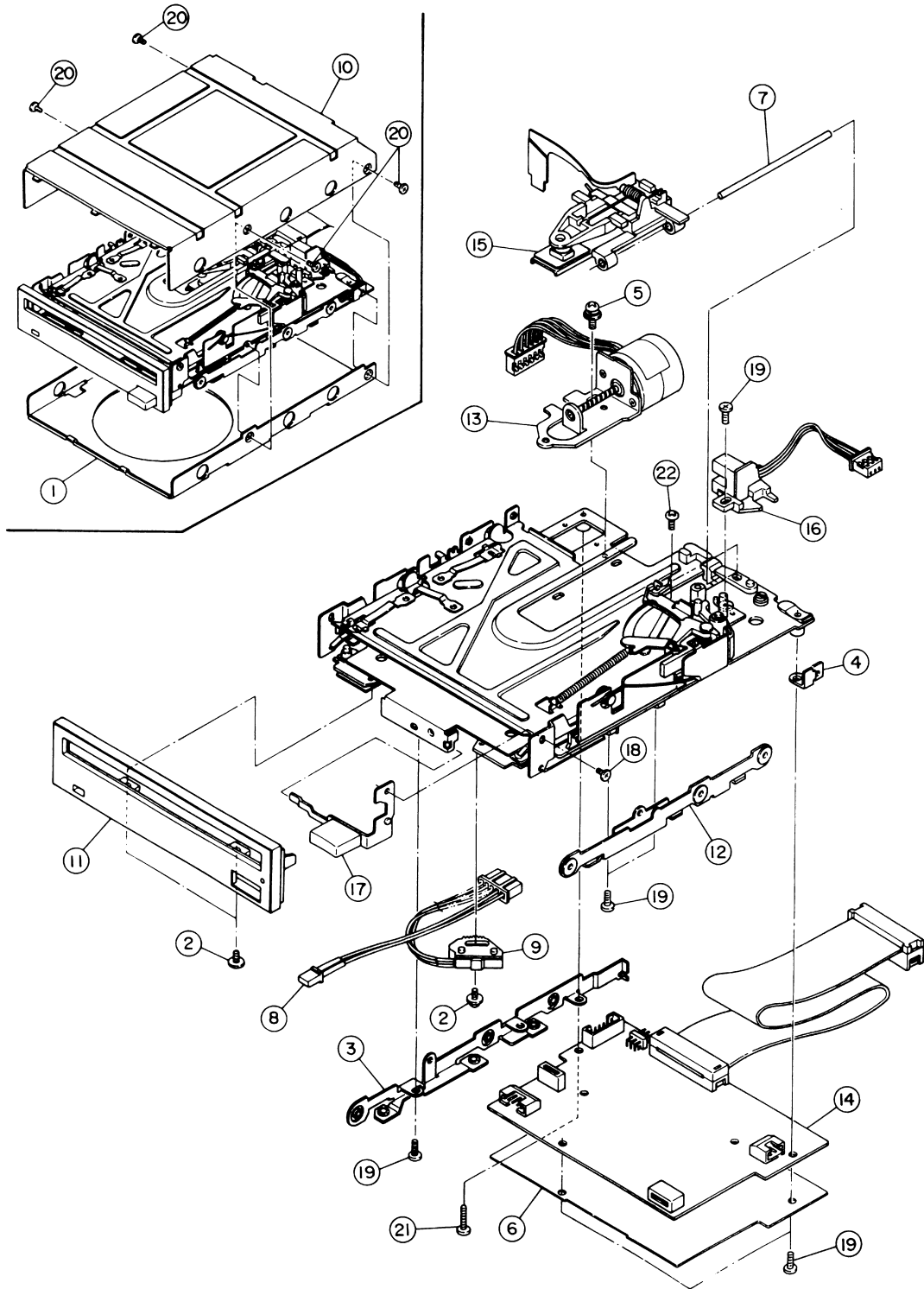
C-5. CRT/POWER SUPPLY PCB ASSEMBLY
 [COUNTRY CODE AS SHOWN BELOW]

COUNTRY CODE:

A: USA/CANADA E: LATIN(115V) I: SWEDEN/FINLAND M: FRANCE Q: S.AFRICA
 B: ASIA F: LATIN(230V) J: NETHERLANDS N: U.K. R: JAPAN
 C: OCEANIA G: NORWAY K: W.GERMANY O: SPAIN
 D: QUEBEC H: DENMARK L: SWITZERLAND P: ITALY

FIGURE & KEY NO.	PART NUMBER	RANK	Q'TY	DESCRIPTION	REMARKS	COUNTRY CODE A.....
C-5 R611	NY7-0895-000		1	RESISTOR 47K OHM 1/8W		A.....
C-5 R612	NY7-0886-000		1	RESISTOR 24K OHM 1/8W		A.....
C-5 R613	NY7-0899-000		1	RESISTOR 5.6K OHM 1/8W		A.....
C-5 R614	NY7-0881-000		1	RESISTOR 1.5 OHM 1/8W		A.....
C-5 R615	NY7-0902-000		1	RESISTOR 6.8K OHM 1/8W		A.....
C-5 R616	NY7-0875-000		1	RESISTOR 130K OHM 1/8W		A.....
C-5 R617	NY7-0899-000		1	RESISTOR 5.6K OHM 1/8W		A.....
C-5 R618	NY7-0893-000		1	RESISTOR 3.3 OHM 1/8W		A.....
C-5 R623	NY7-0885-000		1	RESISTOR 2.4K OHM 1/8W		A.....
C-5 R701	NY7-0901-000		1	RESISTOR 680 OHM 1/8W		A.....
C-5 R702	NY7-0872-000		1	RESISTOR 1K OHM 1/8W		A.....
C-5 R708	NY7-0887-000		1	RESISTOR 24K OHM 1/8W		A.....
C-5 R711	NY7-0872-000		1	RESISTOR 1K OHM 1/8W		A.....
C-5 R712	NY7-0889-000		1	RESISTOR 27K OHM 1/8W		A.....
C-5 R713	NY7-0878-000		1	RESISTOR 18K OHM 1/8W		A.....
C-5 R714	NY7-0888-000		1	RESISTOR 2.7K OHM 1/8W		A.....
C-5 R716	NY7-0840-000		1	RESISTOR 18 OHM 1/2W		A.....
C-5 R717	NY7-0871-000		1	RESISTOR 100 OHM 1/8W		A.....
C-5 R718	NY7-0904-000		1	RESISTOR 5.6 OHM 1/2W		A.....
C-5 R719	NY7-0904-000		1	RESISTOR 5.6 OHM 1/2W		A.....
C-5 R721	NY7-0884-000		1	RESISTOR 220K OHM 1/8W		A.....
C-5 R722	NY7-0873-000		1	RESISTOR 100K OHM 1/8W		A.....
C-5 R723	NY7-0892-000		1	RESISTOR 33K OHM 1/8W		A.....
C-5 R724	NY7-0890-000		1	RESISTOR 30K OHM 1/8W		A.....
C-5 R727	NY7-0905-000		1	RESISTOR 680 OHM 1/2W		A.....
C-5 R728	NY7-0873-000		1	RESISTOR 100K OHM 1/8W		A.....
C-5 R729	NY7-0880-000		1	RESISTOR 180K OHM 1/8W		A.....
C-5 R730	NY7-0896-000		1	RESISTOR 47K OHM 1/8W		A.....
C-5 R731	NY7-0892-000		1	RESISTOR 33K OHM 1/8W		A.....
C-5 R732	NY7-0892-000		1	RESISTOR 33K OHM 1/8W		A.....
C-5 R733	NY7-0892-000		1	RESISTOR 33K OHM 1/8W		A.....
C-5 R901	NY7-0912-000		1	METAL RESISTOR 0.39 OHM 1W		A.....
C-5 R902	NY7-0903-000		1	RESISTOR 150K OHM 1/2W		A.....
C-5 R903	NY7-0907-000		1	METAL OXIDE RES. 68K OHM 5W		A.....
C-5 R904	NY7-0870-000		1	RESISTOR 10 OHM 1/8W		A.....
C-5 R905	NY7-0914-000		1	METAL OXIDE RESISTOR 15 OHM 2W		A.....
C-5 R906	NY7-0917-000		1	METAL OXIDE RESISTOR 33 OHM 3W		A.....
C-5 R907	NY7-0879-000		1	RESISTOR 18K OHM 1/8W		A.....
C-5 R908	NY7-0915-000		1	METAL OXIDE RES. 47K OHM 2W		A.....
C-5 R909	NY7-0900-000		1	RESISTOR 56K OHM 1/8W		A.....
C-5 R910	NY7-0894-000		1	RESISTOR 470 OHM 1/8W		A.....
C-5 R911	NY7-0877-000		1	RESISTOR 160 OHM 1/8W		A.....
C-5 R912	NY7-0871-000		1	RESISTOR 100 OHM 1/8W		A.....
C-5 R913	NY7-0903-000		1	RESISTOR 150K OHM 1/2W		A.....
C-5 SC301	NY7-0800-000		1	SPARK GAP		A.....
C-5 SC302	NY7-0800-000		1	SPARK GAP		A.....
C-5 SC303	NY7-0800-000		1	SPARK GAP		A.....
C-5 T701	NY7-0845-000		1	TRANSFORMER (H.DRIVER)		A.....
C-5 T702	NY7-0839-000		1	TRANSFORMER (F.B.T.)		A.....
C-5 T901	NY7-0919-000		1	TRANSFORMER		A.....
C-5 TH901	NY7-0930-000		1	THERMISTOR		A.....
C-5 VR301	NY7-0923-000		1	VARIABLE RESISTOR 470 OHM		A.....
C-5 VR601	NY7-0922-000		1	VARIABLE RESISTOR 220K OHM		A.....
C-5 VR603	NY7-0920-000		1	VARIABLE RESISTOR 100K OHM		A.....
C-5 VR604	NY7-0920-000		1	VARIABLE RESISTOR 100K OHM		A.....
C-5 VR702	NY7-0921-000		1	VARIABLE RESISTOR 1K OHM		A.....
C-5 VR703	NY7-0924-000		1	VARIABLE RESISTOR 220K OHM		A.....
C-5 VR704	NY7-0844-000		1	VARIABLE RESISTOR 3.3M		A.....

C-6. MICRO FDD UNIT



C-17

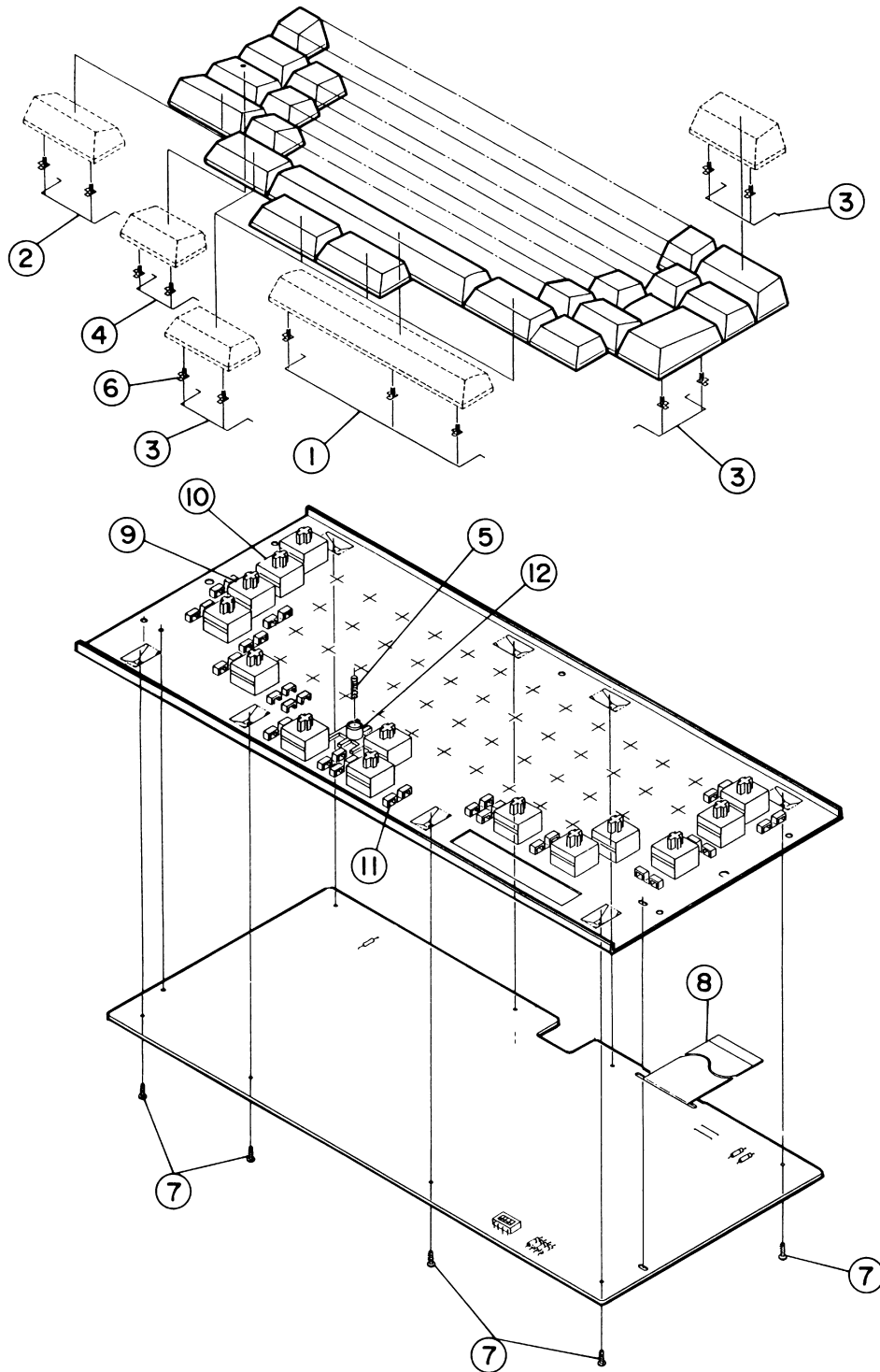
C-6. MICRO FDD UNIT
 [COUNTRY CODE AS SHOWN BELOW]

COUNTRY CODE:

A: USA/CANADA E: LATIN(115V) I: SWEDEN/FINLAND M: FRANCE Q: S.AFRICA
 B: ASIA F: LATIN(230V) J: NETHERLAND N: U.K. R: JAPAN
 C: OCEANIA G: NORWAY K: W.GERMANY O: SPAIN
 D: QUEBEC H: DENMARK L: SWITZERLAND P: ITALY

FIGURE & KEY NO.	PART NUMBER	RANK	Q'TY	DESCRIPTION	REMARKS	COUNTRY CODE
						ABCDEFGHIJKLMNOPQR.....
C-6 1	NY7-9166-000		1	BASE CASE		ABCDEFGHIJKLMNOPQR.....
C-6 2	NY7-9168-000		3	SCREW		ABCDEFGHIJKLMNOPQR.....
C-6 3	NY7-9169-000		1	FRAME (LEFT)		ABCDEFGHIJKLMNOPQR.....
C-6 4	NY7-9171-000		1	FRAME (RIGHT.2)		ABCDEFGHIJKLMNOPQR.....
C-6 5	NY7-9173-000		1	SCREW		ABCDEFGHIJKLMNOPQR.....
C-6 6	NY7-9175-000		1	INSULATION SHEET		ABCDEFGHIJKLMNOPQR.....
C-6 7	NY7-9177-000		1	SHAFT, HEAD GUIDE		ABCDEFGHIJKLMNOPQR.....
C-6 8	NY7-9245-000		1	LED ASSEMBLY	*	ABCDEFGHIJKLMNOPQR.....
C-6 9	NY7-9180-000		1	INDEX SENSOR		ABCDEFGHIJKLMNOPQR.....
C-6 10	NY7-9182-000		1	UPPER CASE		ABCDEFGHIJKLMNOPQR.....
C-6 11	NY7-9183-000		1	FRONT PANEL		ABCDEFGHIJKLMNOPQR.....
C-6 12	NY7-9246-000		1	FRAME (RIGHT.1)	*	ABCDEFGHIJKLMNOPQR.....
C-6 13	NY7-9247-000		1	HEAD MOTOR ASSEMBLY	*	ABCDEFGHIJKLMNOPQR.....
C-6 14	NY7-9248-000		1	FDD PCB ASSEMBLY (CEM-3/CU18)	*	ABCDEFGHIJKLMNOPQR.....
C-6 15	NY7-9249-000		1	HEAD UNIT	*	ABCDEFGHIJKLMNOPQR.....
C-6 16	NY7-9188-000		1	TRACK.00 SWITCH ASSEMBLY		ABCDEFGHIJKLMNOPQR.....
C-6 17	NY7-9250-000		1	EJECT KNOB ASSEMBLY	*	ABCDEFGHIJKLMNOPQR.....
C-6 18	XA1-1200-207		1	SCREW, PH M2X2	*	ABCDEFGHIJKLMNOPQR.....
C-6 19	XA4-6260-507		6	SCREW, PH M2.6X5	*	ABCDEFGHIJKLMNOPQR.....
C-6 20	XA1-7170-187		4	SCREW, PH M1.7X1.8	*	ABCDEFGHIJKLMNOPQR.....
C-6 21	XA1-7250-807		1	SCREW, PH M2.5X8	*	ABCDEFGHIJKLMNOPQR.....
C-6 22	XA1-6250-357		2	SCREW, PH M2.5X3.5	*	ABCDEFGHIJKLMNOPQR.....

C-7. KEYBOARD UNIT



C-19

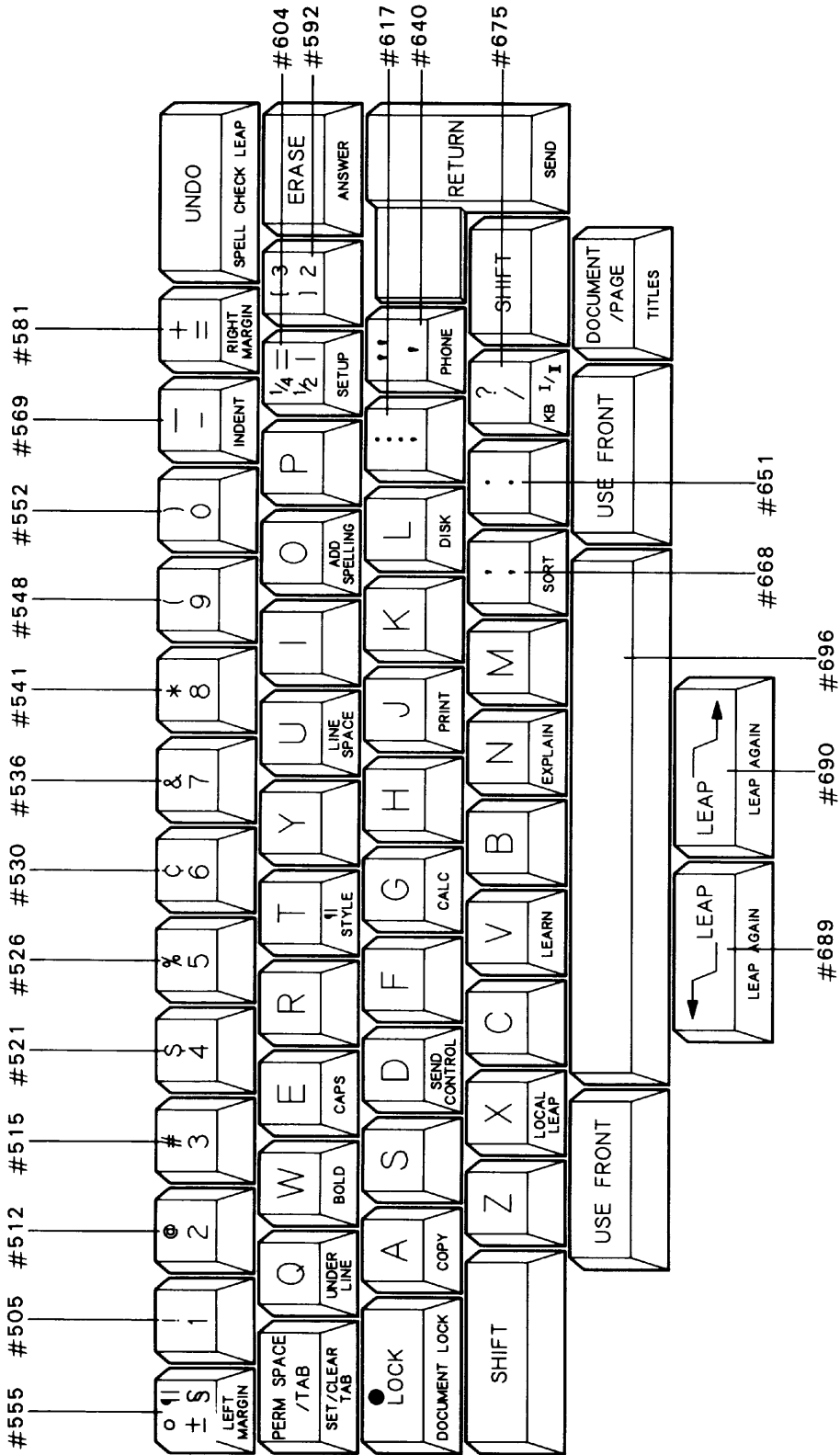
C-7. KEYBOARD UNIT
 [COUNTRY CODE AS SHOWN BELOW]

COUNTRY CODE:

A: USA/CANADA E: LATIN(115V) I: SWEDEN/FINLAND M: FRANCE Q: S.AFRICA
 B: ASIA F: LATIN(230V) J: NETHERLAND N: U.K. R: JAPAN
 C: OCEANIA G: NORWAY K: W.GERMANY O: SPAIN
 D: QUEBEC H: DENMARK L: SWITZERLAND P: ITALY

FIGURE & KEY NO.	PART NUMBER	RANK	Q'TY	DESCRIPTION	REMARKS	COUNTRY CODE
						ABCDEFGHIJKLMNOPQR.....
C-7	WA1-0068-000		59	DIODE 1S2075		ABCD.....R.....
C-7	WA1-0068-000		61	DIODE 1S2075	EFGHIJKLMNQP.....
C-7 1	NY7-4555-000		1	LEVER (6U)	*	ABCDEFGHIJKLMNOPQR.....
C-7 2	NY7-4556-000		1	LEVER (2.25U)	*	ABCDEFGHIJKLMNOPQR.....
C-7 3	NY7-4557-000		6	LEVER (2U)	*	ABCDEFGHIJKLMNOPQR.....
C-7 4	NY7-4558-000		1	LEVER (1.75U)	*	ABCDEFGHIJKLMNOPQR.....
C-7 5	NY7-4559-000		1	SPRING, SPACE KEY	*	ABCDEFGHIJKLMNOPQR.....
C-7 6	NY7-4560-000		19	LEVER HOLDER	*	ABCD.....R.....
C-7 6	NY7-4560-000		17	LEVER HOLDER	*EFGHIJKLMNQP.....
C-7 7	NY7-4561-000		10	SCREW, PH M2.6X6	*	ABCDEFGHIJKLMNOPQR.....
C-7 8	NY7-4562-000		1	KEYBOARD CABLE	*	ABCDEFGHIJKLMNOPQR.....
C-7 9	NY7-4563-000		1	PUSH SWITCH WITH LED	*	ABCDEFGHIJKLMNOPQR.....
C-7 10	NY7-4564-000		58	PUSH SWITCH	*	ABCD.....R.....
C-7 10	NY7-4564-000		60	PUSH SWITCH	*EFGHIJKLMNQP.....
C-7 11	NY7-4565-000		18	HOOK	*	ABCD.....R.....
C-7 11	NY7-4565-000		16	HOOK	*EFGHIJKLMNQP.....
C-7 12	NY7-4566-000		1	GUIDE, SPACE	*	ABCDEFGHIJKLMNOPQR.....
C-7 R 1	VR1-1143-102		1	RESISTOR 1K OHM 1/4W		ABCDEFGHIJKLMNOPQR.....

C-8. KEYS (U.S.A./CANADA/ASIA/OCEANIA)



C-21

Jef Raskin Document # 062 -- Canon Cat Computer Repair Manual

C-8. KEYTOPS (USA/CANADA/ASIA/OCEANIA)
 [COUNTRY CODE AS SHOWN BELOW]

COUNTRY CODE:

A: USA/CANADA E: LATIN(115V) I: SWEDEN/FINLAND M: FRANCE Q: S.AFRICA
 B: ASIA F: LATIN(230V) J: NETHERLANDS N: U.K. R: JAPAN
 C: OCEANIA G: NORWAY K: W.GERMANY O: SPAIN
 D: QUEBEC H: DENMARK L: SWITZERLAND P: ITALY

FIGURE & KEY NO.	PART NUMBER	RANK	Q'TY	DESCRIPTION	REMARKS	COUNTRY CODE
						ABCDEFGHIJKLMNOPQR.....
C-8	NY7-4790-000		1	KEYTOP (#505)	*	ABCD...IJK...R.....
C-8	NY7-4797-000		1	KEYTOP (#512)	*	ABC.....R.....
C-8	NY7-4800-000		1	KEYTOP (#515)	*	ABCDEF.....R.....
C-8	NY7-4806-000		1	KEYTOP (#521)	*	ABCDEFGHIJKL...R.....
C-8	NY7-4811-000		1	KEYTOP (#526)	*	ABCDEFGHIJKL...QR.....
C-8	NY7-4815-000		1	KEYTOP (#530)	*	ABCD.....R.....
C-8	NY7-4821-000		1	KEYTOP (#536)	*	ABCDEF.....N...R.....
C-8	NY7-4826-000		1	KEYTOP (#541)	*	ABCD.....R.....
C-8	NY7-4833-000		1	KEYTOP (#548)	*	ABCDEF.....N...R.....
C-8	NY7-4837-000		1	KEYTOP (#552)	*	ABCDEF.....N...R.....
C-8	NY7-4840-000		1	KEYTOP (#555)	*	ABC.....R.....
C-8	NY7-4853-000		1	KEYTOP (#569)	*	ABC.....R.....
C-8	NY7-4865-000		1	KEYTOP (#581)	*	ABC.....N.....
C-8	NY7-4875-000		1	KEYTOP R	*	ABCDEFGHIJKLMNOPQR.....
C-8	NY7-4876-000		1	KEYTOP Y	*	ABCDEFGHIJ...MNOPQR.....
C-8	NY7-4877-000		1	KEYTOP I	*	ABCDEFGHIJKLMNOPQR.....
C-8	NY7-4879-000		1	KEYTOP P	*	ABCDEFGHIJKLMNOPQR.....
C-8	NY7-4882-000		1	KEYTOP (#592)	*	ABC.....R.....
C-8	NY7-4894-000		1	KEYTOP Q	*	ABC...GHIJ...N...QR.....
C-8	NY7-4896-000		1	KEYTOP W	*	ABC...GHIJ...N...QR.....
C-8	NY7-4898-000		1	KEYTOP E	*	ABCDEFGHIJKLMNOPQR.....
C-8	NY7-4899-000		1	KEYTOP T	*	ABC...GHIJ...N...QR.....
C-8	NY7-4901-000		1	KEYTOP U	*	ABCD...GHIJ...N...QR.....
C-8	NY7-4903-000		1	KEYTOP O	*	ABC.....N...R.....
C-8	NY7-4907-000		1	KEYTOP (#604)	*	ABC.....R.....
C-8	NY7-4920-000		1	KEYTOP S	*	ABCDEFGHIJKLMNOPQR.....
C-8	NY7-4921-000		1	KEYTOP F	*	ABCDEFGHIJKLMNOPQR.....
C-8	NY7-4922-000		1	KEYTOP H	*	ABCDEFGHIJKLMNOPQR.....
C-8	NY7-4923-000		1	KEYTOP K	*	ABCDEFGHIJKLMNOPQR.....
C-8	NY7-4925-000		1	KEYTOP (#617)	*	ABCD.....R.....
C-8	NY7-4944-000		1	KEYTOP A	*	ABC...GHIJ...N...QR.....
C-8	NY7-4946-000		1	KEYTOP D	*	ABC...GHIJ...N...QR.....
C-8	NY7-4948-000		1	KEYTOP G	*	ABC...GHIJ...N...QR.....
C-8	NY7-4950-000		1	KEYTOP J	*	ABC...GHIJ...N...QR.....
C-8	NY7-4952-000		1	KEYTOP L	*	ABC...GHIJ...N...QR.....
C-8	NY7-4959-000		1	KEYTOP (#640)	*	ABC.....R.....
C-8	NY7-4969-000		1	KEYTOP Z	*	ABCDEFGHIJ...NO...QR.....
C-8	NY7-4970-000		1	KEYTOP C	*	ABCDEFGHIJKLMNOPQR.....
C-8	NY7-4971-000		1	KEYTOP B	*	ABCDEFGHIJKLMNOPQR.....
C-8	NY7-4972-000		1	KEYTOP M	*	ABCDEFGHIJKL...NOPQR.....
C-8	NY7-4976-000		1	KEYTOP (#651)	*	ABCDEF.....N...QR.....
C-8	NY7-4993-000		1	KEYTOP X	*	ABC...GHIJ...N...QR.....
C-8	NY7-4995-000		1	KEYTOP V	*	ABC...GHIJ...N...QR.....
C-8	NY7-4997-000		1	KEYTOP N	*	ABC...GHIJ...N...QR.....
C-8	NY7-4999-000		1	KEYTOP (#668)	*	ABC.....QR.....
C-8	NY7-8007-000		1	KEYTOP (#675)	*	ABC.....R.....
C-8	NY7-8016-000		1	KEYTOP PERM SPACE/TAB	*	ABC...GHIJ...N...QR.....
C-8	NY7-8018-000		1	KEYTOP ERASE	*	ABC...GHIJ...N...QR.....
C-8	NY7-8020-000		1	KEYTOP SHIFT	*	ABC...GHIJ...N...QR.....
C-8	NY7-8021-000		1	KEYTOP DOCUMENT/PAGE	*	ABC...GHIJ...N...QR.....
C-8	NY7-8023-000		1	KEYTOP UNDO	*	ABC.....N...R.....
C-8	NY7-8027-000		2	KEYTOP USE FRONT	*	ABC...GHIJ...N...QR.....
C-8	NY7-8029-000		1	KEYTOP (#689)	*	ABC...GHIJ...N...QR.....
C-8	NY7-8030-000		1	KEYTOP (#690)	*	ABC...GHIJ...N...QR.....
C-8	NY7-8034-000		1	KEYTOP SHIFT	*	ABC.....R.....
C-8	NY7-8037-000		1	KEYTOP LOCK	*	ABC...GHIJ...N...QR.....
C-8	NY7-8039-000		1	KEYTOP (#696)	*	ABCDEFGHIJKLMNOPQR.....
C-8	NY7-8040-000		1	KEYTOP RETURN	*	ABC.....R.....

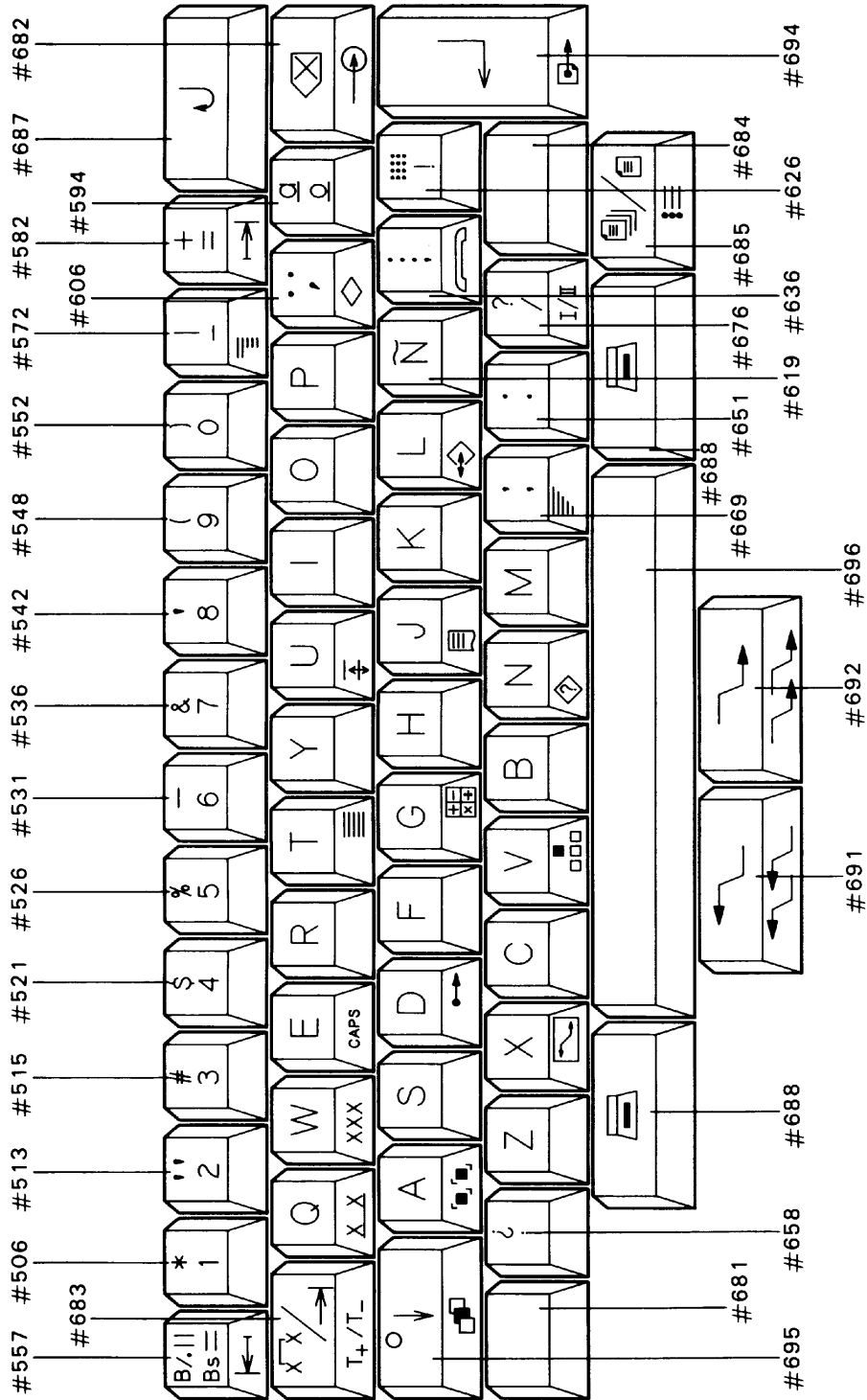
C-9. KEYTOPS (QUEBEC)
 [COUNTRY CODE AS SHOWN BELOW]

COUNTRY CODE:

A: USA/CANADA E: LATIN(115V) I: SWEDEN/FINLAND M: FRANCE Q: S.AFRICA
 B: ASIA F: LATIN(230V) J: NETHERLANDS N: U.K. R: JAPAN
 C: OCEANIA G: NORWAY K: W.GERMANY O: SPAIN
 D: QUEBEC H: DENMARK L: SWITZERLAND P: ITALY

FIGURE & KEY NO.	PART NUMBER	RANK	Q'TY	DESCRIPTION	REMARKS	COUNTRY CODE
						ABCDEFGHIJKLMNOPQR.....
C-9	NY7-4790-000		1	KEYTOP (#505)	*	ABCD...IJK...R.....
C-9	NY7-4798-000		1	KEYTOP (#513)	*	...DEFGHIJKL..NO.Q.....
C-9	NY7-4800-000		1	KEYTOP (#515)	*	ABCDEF.....R.....
C-9	NY7-4806-000		1	KEYTOP (#521)	*	ABCDEFGHIJKL...R.....
C-9	NY7-4811-000		1	KEYTOP (#526)	*	ABCDEFGHIJKL...QR.....
C-9	NY7-4815-000		1	KEYTOP (#530)	*	ABCD.....
C-9	NY7-4821-000		1	KEYTOP (#536)	*	ABCDEF.....N...R.....
C-9	NY7-4826-000		1	KEYTOP (#541)	*	ABCD.....
C-9	NY7-4833-000		1	KEYTOP (#548)	*	ABCDEF.....N...R.....
C-9	NY7-4837-000		1	KEYTOP (#552)	*	ABCDEF.....N...R.....
C-9	NY7-4841-000		1	KEYTOP (#556)	*	...D.....
C-9	NY7-4854-000		1	KEYTOP (#570)	*	...D.....
C-9	NY7-4867-000		1	KEYTOP (#583)	*	...D.....
C-9	NY7-4875-000		1	KEYTOP R	*	ABCDEFGHIJKLMNOPQR.....
C-9	NY7-4876-000		1	KEYTOP Y	*	ABCDEFGHIJ...MNOPQR.....
C-9	NY7-4877-000		1	KEYTOP I	*	ABCDEFGHIJKLMNOPQR.....
C-9	NY7-4879-000		1	KEYTOP P	*	ABCDEFGHIJKLMNOPQR.....
C-9	NY7-4883-000		1	KEYTOP (#593)	*	...D.....
C-9	NY7-4895-000		1	KEYTOP Q	*	...DEF...KL..OP.....
C-9	NY7-4897-000		1	KEYTOP W	*	...DEF...KL..O.....
C-9	NY7-4898-000		1	KEYTOP E	*	ABCDEFGHIJKLMNOPQR.....
C-9	NY7-4900-000		1	KEYTOP T	*	...DEF...KLM.OP.....
C-9	NY7-4902-000		1	KEYTOP U	*	...DEF...KLM.OP.....
C-9	NY7-4904-000		1	KEYTOP O	*	...D...K..M.....
C-9	NY7-4908-000		1	KEYTOP (#605)	*	...D.....
C-9	NY7-4920-000		1	KEYTOP S	*	ABCDEFGHIJKLMNOPQR.....
C-9	NY7-4921-000		1	KEYTOP F	*	ABCDEFGHIJKLMNOPQR.....
C-9	NY7-4922-000		1	KEYTOP H	*	ABCDEFGHIJKLMNOPQR.....
C-9	NY7-4923-000		1	KEYTOP K	*	ABCDEFGHIJKLMNOPQR.....
C-9	NY7-4925-000		1	KEYTOP (#617)	*	ABCD.....R.....
C-9	NY7-4945-000		1	KEYTOP A	*	...DEF...KL..OP.....
C-9	NY7-4947-000		1	KEYTOP D	*	...DEF...KLM.OP.....
C-9	NY7-4949-000		1	KEYTOP G	*	...DEF...KLM.OP.....
C-9	NY7-4951-000		1	KEYTOP J	*	...DEF...KLM.OP.....
C-9	NY7-4953-000		1	KEYTOP L	*	...DEF...KLM.OP.....
C-9	NY7-4960-000		1	KEYTOP (#641)	*	...D.....
C-9	NY7-4969-000		1	KEYTOP Z	*	ABCDEFGHIJ...NO.QR.....
C-9	NY7-4970-000		1	KEYTOP C	*	ABCDEFGHIJKLMNOPQR.....
C-9	NY7-4971-000		1	KEYTOP B	*	ABCDEFGHIJKLMNOPQR.....
C-9	NY7-4972-000		1	KEYTOP M	*	ABCDEFGHIJKL..NOPQR.....
C-9	NY7-4976-000		1	KEYTOP (#651)	*	ABCDEF.....N...QR.....
C-9	NY7-4994-000		1	KEYTOP X	*	...DEF...KLM.OP.....
C-9	NY7-4996-000		1	KEYTOP V	*	...DEF...KLM.OP.....
C-9	NY7-4998-000		1	KEYTOP N	*	...DEF...KLM.OP.....
C-9	NY7-8002-000		1	KEYTOP (#670)	*	...D.....
C-9	NY7-8009-000		1	KEYTOP (#677)	*	...D.....
C-9	NY7-8015-000		1	KEYTOP (#682)	*	...DEF...KLM.OP.....
C-9	NY7-8017-000		1	KEYTOP (#683)	*	...DEF...KLM.OP.....
C-9	NY7-8019-000		1	KEYTOP (#684)	*	...DEF...KLM.OP.....
C-9	NY7-8022-000		1	KEYTOP (#685)	*	...DEF...KLM.OP.....
C-9	NY7-8024-000		1	KEYTOP (#686)	*	...D...K..M.....
C-9	NY7-8028-000		2	KEYTOP (#688)	*	...DEF...KLM.OP.....
C-9	NY7-8031-000		1	KEYTOP (#691)	*	...DEF...KLM.OP.....
C-9	NY7-8032-000		1	KEYTOP (#692)	*	...DEF...KLM.OP.....
C-9	NY7-8033-000		1	KEYTOP (#693)	*	...D.....
C-9	NY7-8038-000		1	KEYTOP (#695)	*	...DEF...KLM.OP.....
C-9	NY7-8039-000		1	KEYTOP (#696)	*	ABCDEFGHIJKLMNOPQR.....
C-9	NY7-8041-000		1	KEYTOP (#697)	*	...D.....

C-10. KEYTOPS (LATIN)



C-25

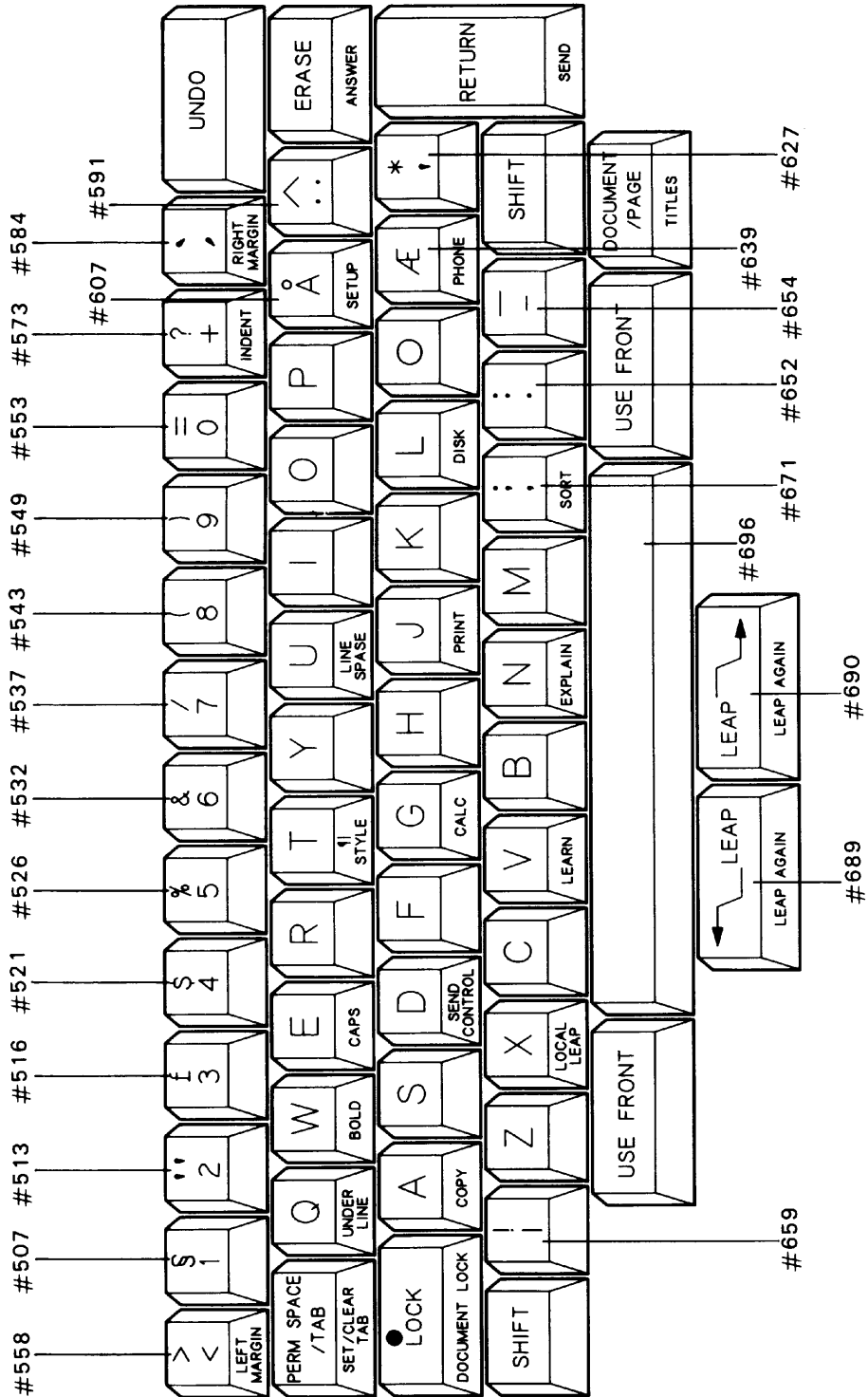
C-10. KEYTOPS (LATIN)
 [COUNTRY CODE AS SHOWN BELOW]

COUNTRY CODE:

A: USA/CANADA E: LATIN(115V) I: SWEDEN/FINLAND M: FRANCE Q: S.AFRICA
 B: ASIA F: LATIN(230V) J: NETHERLANDS N: U.K. R: JAPAN
 C: OCEANIA G: NORWAY K: W.GERMANY O: SPAIN
 D: QUEBEC H: DENMARK L: SWITZERLAND P: ITALY

FIGURE & KEY NO.	PART NUMBER	RANK	Q'TY	DESCRIPTION	REMARKS	COUNTRY CODE
						ABCDEFGHIJKLMNOPQR.....
C-10	NY7-4791-000		1	KEYTOP (#506)	*	...EF.....N.....
C-10	NY7-4798-000		1	KEYTOP (#513)	*	...DEFGHIJKL.NO.Q.....
C-10	NY7-4800-000		1	KEYTOP (#515)	*	ABCDEF.....R.....
C-10	NY7-4806-000		1	KEYTOP (#521)	*	ABCDEFGHIJKL.....R.....
C-10	NY7-4811-000		1	KEYTOP (#526)	*	ABCDEFGHIJKL.....QR.....
C-10	NY7-4816-000		1	KEYTOP (#531)	*	...EF.....N.....
C-10	NY7-4821-000		1	KEYTOP (#536)	*	ABCDEF.....N...R.....
C-10	NY7-4827-000		1	KEYTOP (#542)	*	...EF.....N.....
C-10	NY7-4833-000		1	KEYTOP (#548)	*	ABCDEF.....N...R.....
C-10	NY7-4837-000		1	KEYTOP (#552)	*	ABCDEF.....N...R.....
C-10	NY7-4842-000		1	KEYTOP (#557)	*	...EF.....
C-10	NY7-4856-000		1	KEYTOP (#572)	*	...EF.....
C-10	NY7-4866-000		1	KEYTOP (#582)	*	...EF.....
C-10	NY7-4875-000		1	KEYTOP R	*	ABCDEFGHIJKLMNOPQR.....
C-10	NY7-4876-000		1	KEYTOP Y	*	ABCDEFGHIJ...MNOPQR.....
C-10	NY7-4877-000		1	KEYTOP I	*	ABCDEFGHIJKLMNOPQR.....
C-10	NY7-4878-000		1	KEYTOP O	*	...EFGHIJ...L...OPQ.....
C-10	NY7-4879-000		1	KEYTOP P	*	ABCDEFGHIJKLMNOPQR.....
C-10	NY7-4884-000		1	KEYTOP (#594)	*	...EF.....
C-10	NY7-4895-000		1	KEYTOP Q	*	...DEF....KL...OP.....
C-10	NY7-4897-000		1	KEYTOP W	*	...DEF....KL...O.....
C-10	NY7-4898-000		1	KEYTOP E	*	ABCDEFGHIJKLMNOPQR.....
C-10	NY7-4900-000		1	KEYTOP T	*	...DEF....KLM.OP.....
C-10	NY7-4902-000		1	KEYTOP U	*	...DEF....KLM.OP.....
C-10	NY7-4909-000		1	KEYTOP (#606)	*	...EF.....
C-10	NY7-4920-000		1	KEYTOP S	*	ABCDEFGHIJKLMNOPQR.....
C-10	NY7-4921-000		1	KEYTOP F	*	ABCDEFGHIJKLMNOPQR.....
C-10	NY7-4922-000		1	KEYTOP H	*	ABCDEFGHIJKLMNOPQR.....
C-10	NY7-4923-000		1	KEYTOP K	*	ABCDEFGHIJKLMNOPQR.....
C-10	NY7-4927-000		1	KEYTOP (#619)	*	...EF.....O.....
C-10	NY7-4934-000		1	KEYTOP (#626)	*	...EF.....
C-10	NY7-4945-000		1	KEYTOP A	*	...DEF....KL...OP.....
C-10	NY7-4947-000		1	KEYTOP D	*	...DEF....KLM.OP.....
C-10	NY7-4949-000		1	KEYTOP G	*	...DEF....KLM.OP.....
C-10	NY7-4951-000		1	KEYTOP J	*	...DEF....KLM.OP.....
C-10	NY7-4953-000		1	KEYTOP L	*	...DEF....KLM.OP.....
C-10	NY7-4955-000		1	KEYTOP (#636)	*	...EF.....
C-10	NY7-4969-000		1	KEYTOP Z	*	ABCDEFGHIGHIJ...NO.QR.....
C-10	NY7-4970-000		1	KEYTOP C	*	ABCDEFGHIJKLMNOPQR.....
C-10	NY7-4971-000		1	KEYTOP B	*	ABCDEFGHIJKLMNOPQR.....
C-10	NY7-4972-000		1	KEYTOP M	*	ABCDEFGHIJKLMNOPQR.....
C-10	NY7-4976-000		1	KEYTOP (#651)	*	ABCDEF.....N...QR.....
C-10	NY7-4983-000		1	KEYTOP (#658)	*	...EF.....
C-10	NY7-4994-000		1	KEYTOP X	*	...DEF....KLM.OP.....
C-10	NY7-4996-000		1	KEYTOP V	*	...DEF....KLM.OP.....
C-10	NY7-4998-000		1	KEYTOP N	*	...DEF....KLM.OP.....
C-10	NY7-8001-000		1	KEYTOP (#669)	*	...EF.....
C-10	NY7-8008-000		1	KEYTOP (#676)	*	...EF.....
C-10	NY7-8013-000		1	KEYTOP (#681)	*	...EF....KLM.OP.....
C-10	NY7-8015-000		1	KEYTOP (#682)	*	...DEF....KLM.OP.....
C-10	NY7-8017-000		1	KEYTOP (#683)	*	...DEF....KLM.OP.....
C-10	NY7-8019-000		1	KEYTOP (#684)	*	...DEF....KLM.OP.....
C-10	NY7-8022-000		1	KEYTOP (#685)	*	...DEF....KLM.OP.....
C-10	NY7-8026-000		1	KEYTOP (#687)	*	...EF....L...OP.....
C-10	NY7-8028-000		2	KEYTOP (#688)	*	...DEF....KLM.OP.....
C-10	NY7-8031-000		1	KEYTOP (#691)	*	...DEF....KLM.OP.....
C-10	NY7-8032-000		1	KEYTOP (#692)	*	...DEF....KLM.OP.....
C-10	NY7-8036-000		1	KEYTOP (#694)	*	...EF....KLM.OP.....
C-10	NY7-8038-000		1	KEYTOP (#695)	*	...DEF....KLM.OP.....
C-10	NY7-8039-000		1	KEYTOP (#696)	*	ABCDEFGHIJKLMNOPQR.....

C-11. KEYTOPS (NORWAY)



Jef Raskin Document # 062 -- Canon Cat Computer Repair Manual

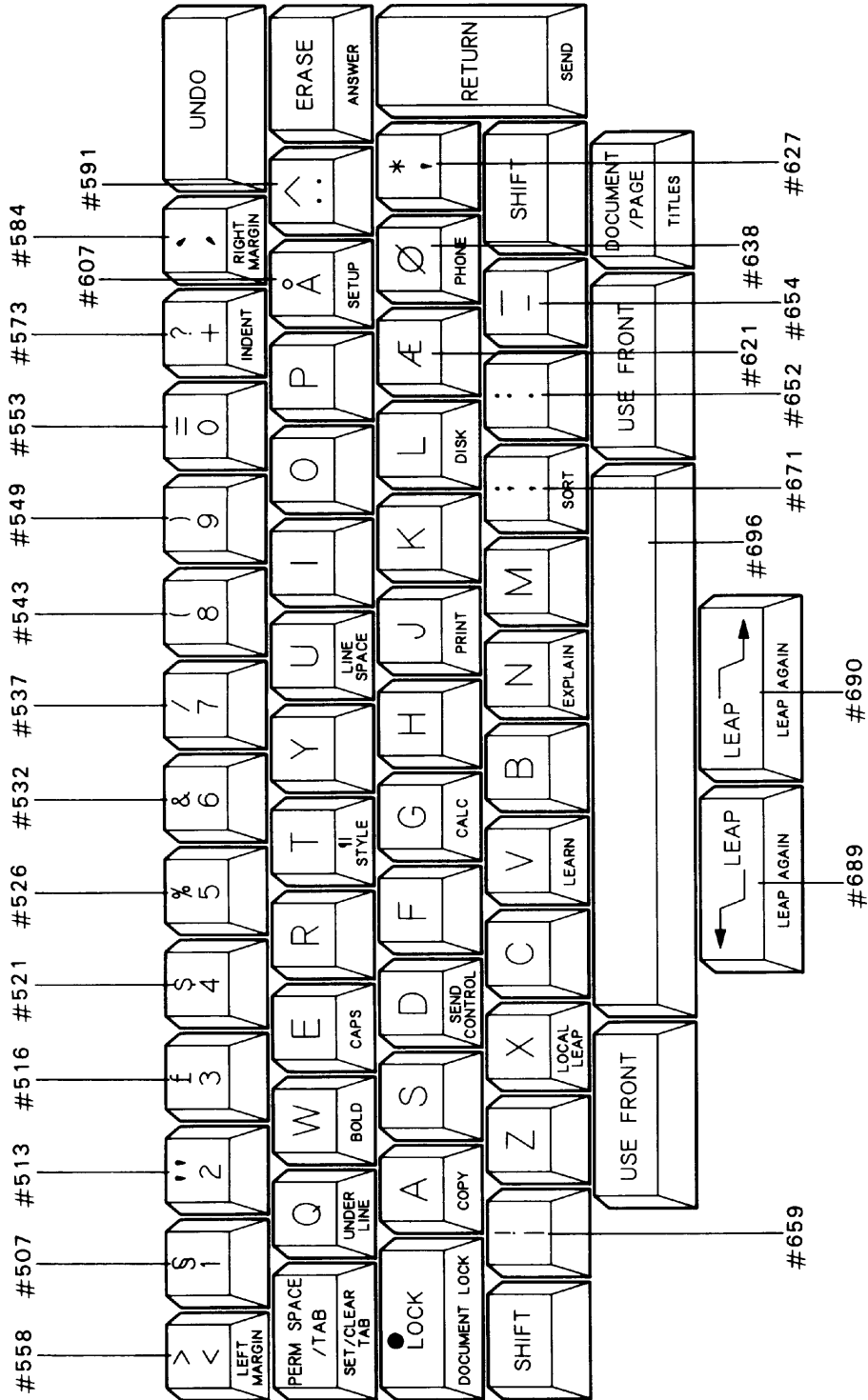
C-11. KEYTOPS (NORWAY)
 [COUNTRY CODE AS SHOWN BELOW]

COUNTRY CODE:

A: USA/CANADA E: LATIN(115V) I: SWEDEN/FINLAND M: FRANCE Q: S.AFRICA
 B: ASIA F: LATIN(230V) J: NETHERLANDS N: U.K. R: JAPAN
 C: OCEANIA G: NORWAY K: W.GERMANY O: SPAIN
 D: QUEBEC H: DENMARK L: SWITZERLAND P: ITALY

FIGURE & KEY NO.	PART NUMBER	RANK	Q'TY	DESCRIPTION	REMARKS	COUNTRY CODE
						ABCDEFGHIJKLMNPOQR.....
C-11	NY7-4792-000		1	KEYTOP (#507)	*GH.....
C-11	NY7-4798-000		1	KEYTOP (#513)	*	...DEFGHIJKL..NO..Q.....
C-11	NY7-4801-000		1	KEYTOP (#516)	*GHIJ.....
C-11	NY7-4806-000		1	KEYTOP (#521)	*	ABCDEFGHIJKL...R.....
C-11	NY7-4811-000		1	KEYTOP (#526)	*	ABCDEFGHIJKL...QR.....
C-11	NY7-4817-000		1	KEYTOP (#532)	*GHIJKL..O..Q.....
C-11	NY7-4822-000		1	KEYTOP (#537)	*GHIJKL.....
C-11	NY7-4828-000		1	KEYTOP (#543)	*GHIJKL...Q.....
C-11	NY7-4834-000		1	KEYTOP (#549)	*GHIJKL...Q.....
C-11	NY7-4838-000		1	KEYTOP (#553)	*GHIJKL..O..Q.....
C-11	NY7-4843-000		1	KEYTOP (#558)	*GH..J.....
C-11	NY7-4857-000		1	KEYTOP (#573)	*GHI.....
C-11	NY7-4868-000		1	KEYTOP (#584)	*GHI.....Q.....
C-11	NY7-4875-000		1	KEYTOP R	*	ABCDEFGHIJKLMNPOQR.....
C-11	NY7-4876-000		1	KEYTOP Y	*	ABCDEFGHIJ...MNPOQR.....
C-11	NY7-4877-000		1	KEYTOP I	*	ABCDEFGHIJKLMNPOQR.....
C-11	NY7-4878-000		1	KEYTOP O	*	...EFGHIJ..L..OPQ.....
C-11	NY7-4879-000		1	KEYTOP P	*	ABCDEFGHIJKLMNPOQR.....
C-11	NY7-4881-000		1	KEYTOP (#591)	*GH.....
C-11	NY7-4894-000		1	KEYTOP Q	*	ABC...GHIJ...N..QR.....
C-11	NY7-4896-000		1	KEYTOP W	*	ABC...GHIJ...N..QR.....
C-11	NY7-4898-000		1	KEYTOP E	*	ABCDEFGHIJKLMNPOQR.....
C-11	NY7-4899-000		1	KEYTOP T	*	ABC...GHIJ...N..QR.....
C-11	NY7-4901-000		1	KEYTOP U	*	ABCD...GHIJ...N..QR.....
C-11	NY7-4910-000		1	KEYTOP (#607)	*GHI.....
C-11	NY7-4920-000		1	KEYTOP S	*	ABCDEFGHIJKLMNPOQR.....
C-11	NY7-4921-000		1	KEYTOP F	*	ABCDEFGHIJKLMNPOQR.....
C-11	NY7-4922-000		1	KEYTOP H	*	ABCDEFGHIJKLMNPOQR.....
C-11	NY7-4923-000		1	KEYTOP K	*	ABCDEFGHIJKLMNPOQR.....
C-11	NY7-4928-000		1	KEYTOP (#620)	*G.....
C-11	NY7-4935-000		1	KEYTOP (#627)	*GHI.....
C-11	NY7-4944-000		1	KEYTOP A	*	ABC...GHIJ...N..QR.....
C-11	NY7-4946-000		1	KEYTOP D	*	ABC...GHIJ...N..QR.....
C-11	NY7-4948-000		1	KEYTOP G	*	ABC...GHIJ...N..QR.....
C-11	NY7-4950-000		1	KEYTOP J	*	ABC...GHIJ...N..QR.....
C-11	NY7-4952-000		1	KEYTOP L	*	ABC...GHIJ...N..QR.....
C-11	NY7-4958-000		1	KEYTOP (#639)	*G.....
C-11	NY7-4969-000		1	KEYTOP Z	*	ABCDEFGHIJ...NO..QR.....
C-11	NY7-4970-000		1	KEYTOP C	*	ABCDEFGHIJKLMNPOQR.....
C-11	NY7-4971-000		1	KEYTOP B	*	ABCDEFGHIJKLMNPOQR.....
C-11	NY7-4972-000		1	KEYTOP M	*	ABCDEFGHIJKLMNPOQR.....
C-11	NY7-4977-000		1	KEYTOP (#652)	*GHIJKL..O.....
C-11	NY7-4979-000		1	KEYTOP (#654)	*GHIJK.....
C-11	NY7-4984-000		1	KEYTOP (#659)	*GH.....
C-11	NY7-4993-000		1	KEYTOP X	*	ABC...GHIJ...N..QR.....
C-11	NY7-4995-000		1	KEYTOP V	*	ABC...GHIJ...N..QR.....
C-11	NY7-4997-000		1	KEYTOP N	*	ABC...GHIJ...N..QR.....
C-11	NY7-8003-000		1	KEYTOP (#671)	*GHIJ.....
C-11	NY7-8014-000		1	KEYTOP SHIFT	*GHIJ...N..Q.....
C-11	NY7-8016-000		1	KEYTOP PERM SPACE/TAB	*	ABC...GHIJ...N..QR.....
C-11	NY7-8018-000		1	KEYTOP ERASE	*	ABC...GHIJ...N..QR.....
C-11	NY7-8020-000		1	KEYTOP SHIFT	*	ABC...GHIJ...N..QR.....
C-11	NY7-8021-000		1	KEYTOP DOCUMENT/PAGE	*	ABC...GHIJ...N..QR.....
C-11	NY7-8025-000		1	KEYTOP UNDO	*GHIJ...Q.....
C-11	NY7-8027-000		2	KEYTOP USE FRONT	*	ABC...GHIJ...N..QR.....
C-11	NY7-8029-000		1	KEYTOP (#689)	*	ABC...GHIJ...N..QR.....
C-11	NY7-8030-000		1	KEYTOP (#690)	*	ABC...GHIJ...N..QR.....
C-11	NY7-8035-000		1	KEYTOP RETURN	*GHIJ...N..Q.....
C-11	NY7-8037-000		1	KEYTOP LOCK	*	ABC...GHIJ...N..QR.....
C-11	NY7-8039-000		1	KEYTOP (#696)	*	ABCDEFGHIJKLMNPOQR.....

C-12. KEYTOPS (DENMARK)



C-12. KEYTOPS (DENMARK)
 [COUNTRY CODE AS SHOWN BELOW]

COUNTRY CODE:

A: USA/CANADA E: LATIN(115V) I: SWEDEN/FINLAND M: FRANCE Q: S.AFRICA
 B: ASIA F: LATIN(230V) J: NETHERLANDS N: U.K. R: JAPAN
 C: OCEANIA G: NORWAY K: W.GERMANY O: SPAIN
 D: QUEBEC H: DENMARK L: SWITZERLAND P: ITALY

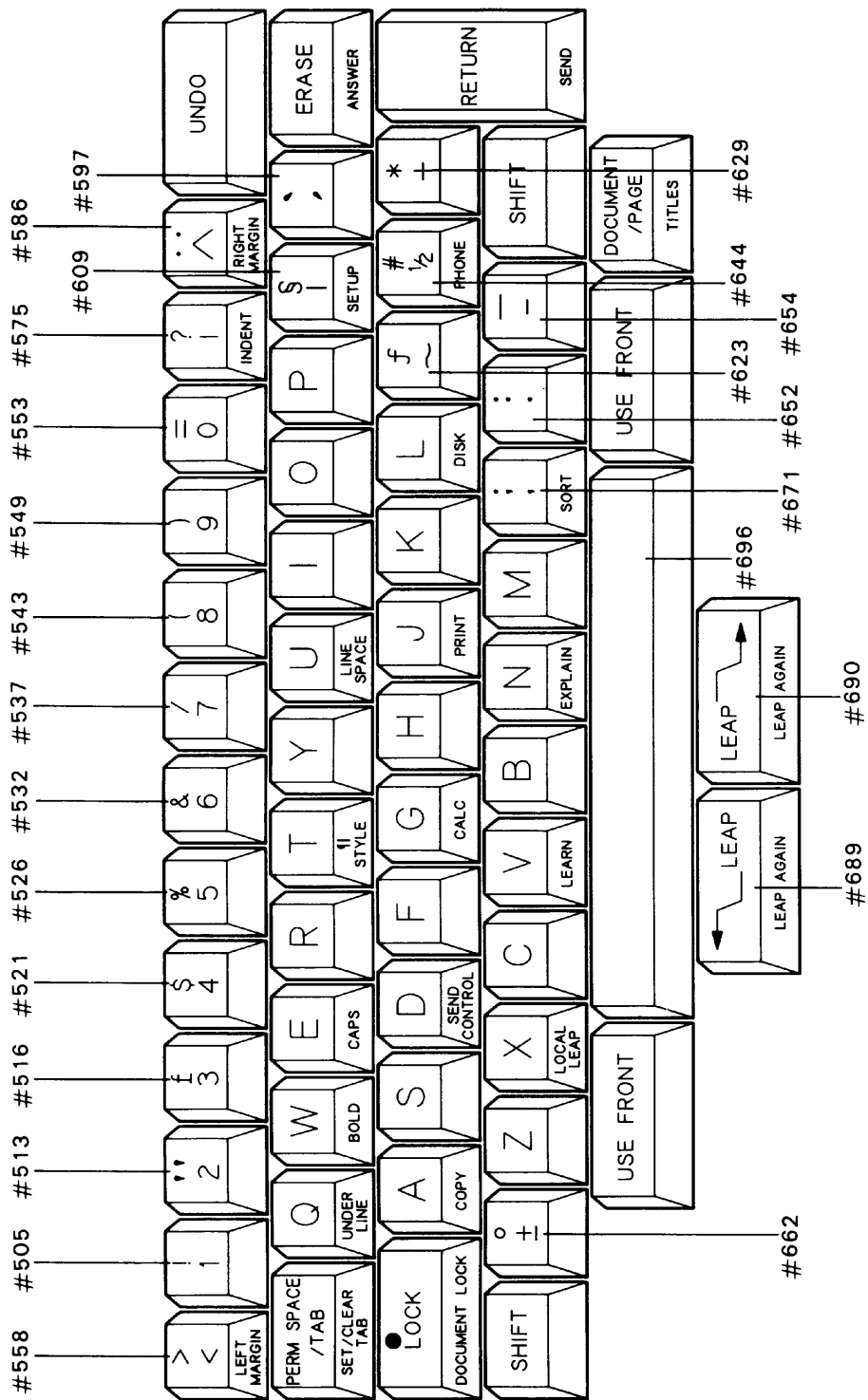
FIGURE & KEY NO.	PART NUMBER	RANK	Q'TY	DESCRIPTION	REMARKS	COUNTRY CODE
						ABCDEFGHIJKLMNOPQR.....
C-12	NY7-4792-000		1	KEYTOP (#507)	*GH.....
C-12	NY7-4798-000		1	KEYTOP (#513)	*	...DEFGHIJKL.NO.Q.....
C-12	NY7-4801-000		1	KEYTOP (#516)	*GHIJ.....
C-12	NY7-4806-000		1	KEYTOP (#521)	*	ABCDEFGHIJKL.....R.....
C-12	NY7-4811-000		1	KEYTOP (#526)	*	ABCDEFGHIJKL.....QR.....
C-12	NY7-4817-000		1	KEYTOP (#532)	*GHIJKL..O.Q.....
C-12	NY7-4822-000		1	KEYTOP (#537)	*GHIJKL.....
C-12	NY7-4828-000		1	KEYTOP (#543)	*GHIJKL.....Q.....
C-12	NY7-4834-000		1	KEYTOP (#549)	*GHIJKL.....Q.....
C-12	NY7-4838-000		1	KEYTOP (#553)	*GHIJKL..O.Q.....
C-12	NY7-4843-000		1	KEYTOP (#558)	*GH.J.....
C-12	NY7-4857-000		1	KEYTOP (#573)	*GHI.....
C-12	NY7-4868-000		1	KEYTOP (#584)	*GHI.....Q.....
C-12	NY7-4875-000		1	KEYTOP R	*	ABCDEFGHIJKLMNOPQR.....
C-12	NY7-4876-000		1	KEYTOP Y	*	ABCDEFGHIJ..MNOPQR.....
C-12	NY7-4877-000		1	KEYTOP I	*	ABCDEFGHIJKLMNOPQR.....
C-12	NY7-4878-000		1	KEYTOP O	*	...EFGHIJ.L..OPQ.....
C-12	NY7-4879-000		1	KEYTOP P	*	ABCDEFGHIJKLMNOPQR.....
C-12	NY7-4881-000		1	KEYTOP (#591)	*GH.....
C-12	NY7-4894-000		1	KEYTOP Q	*	ABC...GHIJ...N..QR.....
C-12	NY7-4896-000		1	KEYTOP W	*	ABC...GHIJ...N..QR.....
C-12	NY7-4898-000		1	KEYTOP E	*	ABCDEFGHIJKLMNOPQR.....
C-12	NY7-4899-000		1	KEYTOP T	*	ABC...GHIJ...N..QR.....
C-12	NY7-4901-000		1	KEYTOP U	*	ABCD...GHIJ...N..QR.....
C-12	NY7-4910-000		1	KEYTOP (#607)	*GHI.....
C-12	NY7-4920-000		1	KEYTOP S	*	ABCDEFGHIJKLMNOPQR.....
C-12	NY7-4921-000		1	KEYTOP F	*	ABCDEFGHIJKLMNOPQR.....
C-12	NY7-4922-000		1	KEYTOP H	*	ABCDEFGHIJKLMNOPQR.....
C-12	NY7-4923-000		1	KEYTOP K	*	ABCDEFGHIJKLMNOPQR.....
C-12	NY7-4929-000		1	KEYTOP (#621)	*H.....
C-12	NY7-4935-000		1	KEYTOP (#627)	*GHI.....
C-12	NY7-4944-000		1	KEYTOP A	*	ABC...GHIJ...N..QR.....
C-12	NY7-4946-000		1	KEYTOP D	*	ABC...GHIJ...N..QR.....
C-12	NY7-4948-000		1	KEYTOP G	*	ABC...GHIJ...N..QR.....
C-12	NY7-4950-000		1	KEYTOP J	*	ABC...GHIJ...N..QR.....
C-12	NY7-4952-000		1	KEYTOP L	*	ABC...GHIJ...N..QR.....
C-12	NY7-4957-000		1	KEYTOP (#638)	*H.....
C-12	NY7-4969-000		1	KEYTOP Z	*	ABCDEFGHIJ..NO.QR.....
C-12	NY7-4970-000		1	KEYTOP C	*	ABCDEFGHIJKLMNOPQR.....
C-12	NY7-4971-000		1	KEYTOP B	*	ABCDEFGHIJKLMNOPQR.....
C-12	NY7-4972-000		1	KEYTOP M	*	ABCDEFGHIJKLMNOPQR.....
C-12	NY7-4977-000		1	KEYTOP (#652)	*GHIJKL..O.....
C-12	NY7-4979-000		1	KEYTOP (#654)	*GHIJK.....
C-12	NY7-4984-000		1	KEYTOP (#659)	*GH.....
C-12	NY7-4993-000		1	KEYTOP X	*	ABC...GHIJ...N..QR.....
C-12	NY7-4995-000		1	KEYTOP V	*	ABC...GHIJ...N..QR.....
C-12	NY7-4997-000		1	KEYTOP N	*	ABC...GHIJ...N..QR.....
C-12	NY7-8003-000		1	KEYTOP (#671)	*GHIJ.....
C-12	NY7-8014-000		1	KEYTOP SHIFT	*GHIJ...N..Q.....
C-12	NY7-8016-000		1	KEYTOP PERM SPACE/TAB	*	ABC...GHIJ...N..QR.....
C-12	NY7-8018-000		1	KEYTOP ERASE	*	ABC...GHIJ...N..QR.....
C-12	NY7-8020-000		1	KEYTOP SHIFT	*	ABC...GHIJ...N..QR.....
C-12	NY7-8021-000		1	KEYTOP DOCUMENT/PAGE	*	ABC...GHIJ...N..QR.....
C-12	NY7-8025-000		1	KEYTOP UNDO	*GHIJ...Q.....
C-12	NY7-8027-000		2	KEYTOP USE FRONT	*	ABC...GHIJ...N..QR.....
C-12	NY7-8029-000		1	KEYTOP (#689)	*	ABC...GHIJ...N..QR.....
C-12	NY7-8030-000		1	KEYTOP (#690)	*	ABC...GHIJ...N..QR.....
C-12	NY7-8035-000		1	KEYTOP RETURN	*GHIJ...N..Q.....
C-12	NY7-8037-000		1	KEYTOP LOCK	*	ABC...GHIJ...N..QR.....
C-12	NY7-8039-000		1	KEYTOP (#696)	*	ABCDEFGHIJKLMNOPQR.....

C-13. KEYTOPS (SWEDEN/FINLAND)
 [COUNTRY CODE AS SHOWN BELOW]

COUNTRY CODE:
 A: USA/CANADA E: LATIN(115V) I: SWEDEN/FINLAND M: FRANCE Q: S.AFRICA
 B: ASIA F: LATIN(230V) J: NETHERLANDS N: U.K. R: JAPAN
 C: OCEANIA G: NORWAY K: W.GERMANY O: SPAIN
 D: QUEBEC H: DENMARK L: SWITZERLAND P: ITALY

FIGURE & KEY NO.	PART NUMBER	RANK	Q'TY	DESCRIPTION	REMARKS	COUNTRY CODE
						ABCDEFGHIJKLMNOPQR.....
C-13	NY7-4790-000		1	KEYTOP (#505)	*	ABCD...IJK...R.....
C-13	NY7-4798-000		1	KEYTOP (#513)	*	...DEFGHIJKL.NO.Q.....
C-13	NY7-4801-000		1	KEYTOP (#516)	*GHIJ.....
C-13	NY7-4806-000		1	KEYTOP (#521)	*	ABCDEFGHIJKL...R.....
C-13	NY7-4811-000		1	KEYTOP (#526)	*	ABCDEFGHIJKL...QR.....
C-13	NY7-4817-000		1	KEYTOP (#532)	*GHIJKL.O.Q.....
C-13	NY7-4822-000		1	KEYTOP (#537)	*GHIJKL.....
C-13	NY7-4828-000		1	KEYTOP (#543)	*GHIJKL...Q.....
C-13	NY7-4834-000		1	KEYTOP (#549)	*GHIJKL...Q.....
C-13	NY7-4838-000		1	KEYTOP (#553)	*GHIJKL.O.Q.....
C-13	NY7-4844-000		1	KEYTOP (#559)	*I.....
C-13	NY7-4857-000		1	KEYTOP (#573)	*GHI.....
C-13	NY7-4868-000		1	KEYTOP (#584)	*GHI.....Q.....
C-13	NY7-4875-000		1	KEYTOP R	*	ABCDEFGHIJKLMNOPQR.....
C-13	NY7-4876-000		1	KEYTOP Y	*	ABCDEFGHIJ...MNOPQR.....
C-13	NY7-4877-000		1	KEYTOP I	*	ABCDEFGHIJKLMNOPQR.....
C-13	NY7-4878-000		1	KEYTOP O	*	...EFGHIJ.L..OPQ.....
C-13	NY7-4879-000		1	KEYTOP P	*	ABCDEFGHIJKLMNOPQR.....
C-13	NY7-4885-000		1	KEYTOP (#595)	*I.....
C-13	NY7-4894-000		1	KEYTOP Q	*	ABC...GHIJ...N..QR.....
C-13	NY7-4896-000		1	KEYTOP W	*	ABC...GHIJ...N..QR.....
C-13	NY7-4898-000		1	KEYTOP E	*	ABCDEFGHIJKLMNOPQR.....
C-13	NY7-4899-000		1	KEYTOP T	*	ABC...GHIJ...N..QR.....
C-13	NY7-4901-000		1	KEYTOP U	*	ABCD...GHIJ...N..QR.....
C-13	NY7-4910-000		1	KEYTOP (#607)	*GHI.....
C-13	NY7-4920-000		1	KEYTOP S	*	ABCDEFGHIJKLMNOPQR.....
C-13	NY7-4921-000		1	KEYTOP F	*	ABCDEFGHIJKLMNOPQR.....
C-13	NY7-4922-000		1	KEYTOP H	*	ABCDEFGHIJKLMNOPQR.....
C-13	NY7-4923-000		1	KEYTOP K	*	ABCDEFGHIJKLMNOPQR.....
C-13	NY7-4930-000		1	KEYTOP (#622)	*I.K.....
C-13	NY7-4935-000		1	KEYTOP (#627)	*GHI.....
C-13	NY7-4944-000		1	KEYTOP A	*	ABC...GHIJ...N..QR.....
C-13	NY7-4946-000		1	KEYTOP D	*	ABC...GHIJ...N..QR.....
C-13	NY7-4948-000		1	KEYTOP G	*	ABC...GHIJ...N..QR.....
C-13	NY7-4950-000		1	KEYTOP J	*	ABC...GHIJ...N..QR.....
C-13	NY7-4952-000		1	KEYTOP L	*	ABC...GHIJ...N..QR.....
C-13	NY7-4961-000		1	KEYTOP (#642)	*I.....
C-13	NY7-4969-000		1	KEYTOP Z	*	ABCDEFGHIJ...NO.QR.....
C-13	NY7-4970-000		1	KEYTOP C	*	ABCDEFGHIJKLMNOPQR.....
C-13	NY7-4971-000		1	KEYTOP B	*	ABCDEFGHIJKLMNOPQR.....
C-13	NY7-4972-000		1	KEYTOP M	*	ABCDEFGHIJKLMNOPQR.....
C-13	NY7-4977-000		1	KEYTOP (#652)	*GHIJKL.O.....
C-13	NY7-4979-000		1	KEYTOP (#654)	*GHIJK.....
C-13	NY7-4985-000		1	KEYTOP (#660)	*I.....
C-13	NY7-4993-000		1	KEYTOP X	*	ABC...GHIJ...N..QR.....
C-13	NY7-4995-000		1	KEYTOP V	*	ABC...GHIJ...N..QR.....
C-13	NY7-4997-000		1	KEYTOP N	*	ABC...GHIJ...N..QR.....
C-13	NY7-8003-000		1	KEYTOP (#671)	*GHIJ.....
C-13	NY7-8014-000		1	KEYTOP SHIFT	*GHIJ...N..Q.....
C-13	NY7-8016-000		1	KEYTOP PERM SPACE/TAB	*	ABC...GHIJ...N..QR.....
C-13	NY7-8018-000		1	KEYTOP ERASE	*	ABC...GHIJ...N..QR.....
C-13	NY7-8020-000		1	KEYTOP SHIFT	*	ABC...GHIJ...N..QR.....
C-13	NY7-8021-000		1	KEYTOP DOCUMENT/PAGE	*	ABC...GHIJ...N..QR.....
C-13	NY7-8025-000		1	KEYTOP UNDO	*GHIJ...Q.....
C-13	NY7-8027-000		2	KEYTOP USE FRONT	*	ABC...GHIJ...N..QR.....
C-13	NY7-8029-000		1	KEYTOP (#689)	*	ABC...GHIJ...N..QR.....
C-13	NY7-8030-000		1	KEYTOP (#690)	*	ABC...GHIJ...N..QR.....
C-13	NY7-8035-000		1	KEYTOP RETURN	*GHIJ...N..Q.....
C-13	NY7-8037-000		1	KEYTOP LOCK	*	ABC...GHIJ...N..QR.....
C-13	NY7-8039-000		1	KEYTOP (#696)	*	ABCDEFGHIJKLMNOPQR.....

C-14. KEYTOPS (NETHERLANDS)



C-14. KEYTOPS (NETHERLANDS)
 [COUNTRY CODE AS SHOWN BELOW]

COUNTRY CODE:
 A: USA/CANADA E: LATIN(115V) I: SWEDEN/FINLAND M: FRANCE Q: S.AFRICA
 B: ASIA F: LATIN(230V) J: NETHERLANDS N: U.K. R: JAPAN
 C: OCEANIA G: NORWAY K: W.GERMANY O: SPAIN
 D: QUEBEC H: DENMARK L: SWITZERLAND P: ITALY

FIGURE & KEY NO.	PART NUMBER	RANK	Q'TY	DESCRIPTION	REMARKS	COUNTRY CODE
						ABCDEFGHIJKLMNOPQR.....
C-14	NY7-4790-000		1	KEYTOP (#505)	*	ABCD...IJK...R.....
C-14	NY7-4798-000		1	KEYTOP (#513)	*	...DEFGHIJKL.NO.Q.....
C-14	NY7-4801-000		1	KEYTOP (#516)	*GHIJ.....
C-14	NY7-4806-000		1	KEYTOP (#521)	*	ABCDEFGHIJKL...R.....
C-14	NY7-4811-000		1	KEYTOP (#526)	*	ABCDEFGHIJKL...QR.....
C-14	NY7-4817-000		1	KEYTOP (#532)	*GHIJKL..O.Q.....
C-14	NY7-4822-000		1	KEYTOP (#537)	*GHIJKL.....
C-14	NY7-4828-000		1	KEYTOP (#543)	*GHIJKL...Q.....
C-14	NY7-4834-000		1	KEYTOP (#549)	*GHIJKL...Q.....
C-14	NY7-4838-000		1	KEYTOP (#553)	*GHIJKL..O.Q.....
C-14	NY7-4843-000		1	KEYTOP (#558)	*GH.J.....
C-14	NY7-4859-000		1	KEYTOP (#575)	*J.....
C-14	NY7-4870-000		1	KEYTOP (#586)	*J.....
C-14	NY7-4875-000		1	KEYTOP R	*	ABCDEFGHIJKLMNOPQR.....
C-14	NY7-4876-000		1	KEYTOP Y	*	ABCDEFGHIJ..MNOPQR.....
C-14	NY7-4877-000		1	KEYTOP I	*	ABCDEFGHIJKLMNOPQR.....
C-14	NY7-4878-000		1	KEYTOP O	*	...EFGHIJ.L..OPQ.....
C-14	NY7-4879-000		1	KEYTOP P	*	ABCDEFGHIJKLMNOPQR.....
C-14	NY7-4887-000		1	KEYTOP (#597)	*J...O.....
C-14	NY7-4894-000		1	KEYTOP Q	*	ABC...GHIJ...N..QR.....
C-14	NY7-4896-000		1	KEYTOP W	*	ABC...GHIJ...N..QR.....
C-14	NY7-4898-000		1	KEYTOP E	*	ABCDEFGHIJKLMNOPQR.....
C-14	NY7-4899-000		1	KEYTOP T	*	ABC...GHIJ...N..QR.....
C-14	NY7-4901-000		1	KEYTOP U	*	ABCD...GHIJ...N..QR.....
C-14	NY7-4912-000		1	KEYTOP (#609)	*J.....
C-14	NY7-4920-000		1	KEYTOP S	*	ABCDEFGHIJKLMNOPQR.....
C-14	NY7-4921-000		1	KEYTOP F	*	ABCDEFGHIJKLMNOPQR.....
C-14	NY7-4922-000		1	KEYTOP H	*	ABCDEFGHIJKLMNOPQR.....
C-14	NY7-4923-000		1	KEYTOP K	*	ABCDEFGHIJKLMNOPQR.....
C-14	NY7-4931-000		1	KEYTOP (#623)	*J.....
C-14	NY7-4937-000		1	KEYTOP (#629)	*J.....
C-14	NY7-4944-000		1	KEYTOP A	*	ABC...GHIJ...N..QR.....
C-14	NY7-4946-000		1	KEYTOP D	*	ABC...GHIJ...N..QR.....
C-14	NY7-4948-000		1	KEYTOP G	*	ABC...GHIJ...N..QR.....
C-14	NY7-4950-000		1	KEYTOP J	*	ABC...GHIJ...N..QR.....
C-14	NY7-4952-000		1	KEYTOP L	*	ABC...GHIJ...N..QR.....
C-14	NY7-4963-000		1	KEYTOP (#644)	*J.....
C-14	NY7-4969-000		1	KEYTOP Z	*	ABCDEFGHIJ...NO.QR.....
C-14	NY7-4970-000		1	KEYTOP C	*	ABCDEFGHIJKLMNOPQR.....
C-14	NY7-4971-000		1	KEYTOP B	*	ABCDEFGHIJKLMNOPQR.....
C-14	NY7-4972-000		1	KEYTOP M	*	ABCDEFGHIJKL.NOPQR.....
C-14	NY7-4977-000		1	KEYTOP (#652)	*GHIJKL..O.....
C-14	NY7-4979-000		1	KEYTOP (#654)	*GHIJK.....
C-14	NY7-4987-000		1	KEYTOP (#662)	*J.....
C-14	NY7-4993-000		1	KEYTOP X	*	ABC...GHIJ...N..QR.....
C-14	NY7-4995-000		1	KEYTOP V	*	ABC...GHIJ...N..QR.....
C-14	NY7-4997-000		1	KEYTOP N	*	ABC...GHIJ...N..QR.....
C-14	NY7-8003-000		1	KEYTOP (#671)	*GHIJ.....
C-14	NY7-8014-000		1	KEYTOP SHIFT	*GHIJ...N..Q.....
C-14	NY7-8016-000		1	KEYTOP PERM SPACE/TAB	*	ABC...GHIJ...N..QR.....
C-14	NY7-8018-000		1	KEYTOP ERASE	*	ABC...GHIJ...N..QR.....
C-14	NY7-8020-000		1	KEYTOP SHIFT	*	ABC...GHIJ...N..QR.....
C-14	NY7-8021-000		1	KEYTOP DOCUMENT/PAGE	*	ABC...GHIJ...N..QR.....
C-14	NY7-8025-000		1	KEYTOP UNDO	*GHIJ...Q.....
C-14	NY7-8027-000		2	KEYTOP USE FRONT	*	ABC...GHIJ...N..QR.....
C-14	NY7-8029-000		1	KEYTOP (#689)	*	ABC...GHIJ...N..QR.....
C-14	NY7-8030-000		1	KEYTOP (#690)	*	ABC...GHIJ...N..QR.....
C-14	NY7-8035-000		1	KEYTOP RETURN	*GHIJ...N..Q.....
C-14	NY7-8037-000		1	KEYTOP LOCK	*	ABC...GHIJ...N..QR.....
C-14	NY7-8039-000		1	KEYTOP (#696)	*	ABCDEFGHIJKLMNOPQR.....

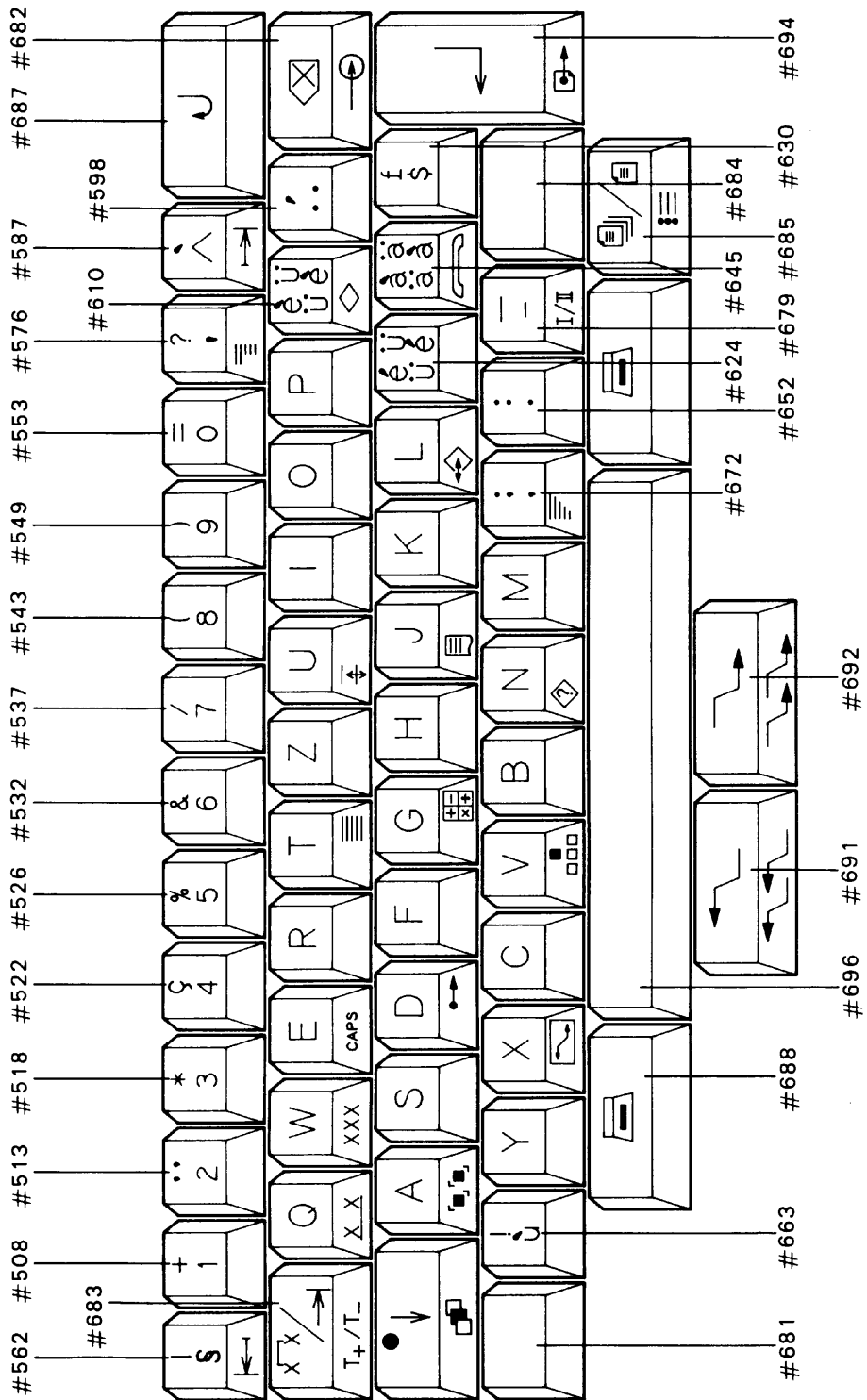
C-15. KEYTOPS (W. GERMANY)
 [COUNTRY CODE AS SHOWN BELOW]

COUNTRY CODE:

A: USA/CANADA E: LATIN(115V) I: SWEDEN/FINLAND M: FRANCE Q: S.AFRICA
 B: ASIA F: LATIN(230V) J: NETHERLANDS N: U.K. R: JAPAN
 C: OCEANIA G: NORWAY K: W.GERMANY O: SPAIN
 D: QUEBEC H: DENMARK L: SWITZERLAND P: ITALY

FIGURE & KEY NO.	PART NUMBER	RANK	Q'TY	DESCRIPTION	REMARKS	COUNTRY CODE
						ABCDEFGHIJKLMNOPQR.....
C-15	NY7-4790-000		1	KEYTOP (#505)	*	ABCD....IJK.....R.....
C-15	NY7-4798-000		1	KEYTOP (#513)	*	...DEFGHIJKL.NO.Q.....
C-15	NY7-4802-000		1	KEYTOP (#517)	*K.....Q.....
C-15	NY7-4806-000		1	KEYTOP (#521)	*	ABCDEFGHIJKL....R.....
C-15	NY7-4811-000		1	KEYTOP (#526)	*	ABCDEFGHIJKL....QR.....
C-15	NY7-4817-000		1	KEYTOP (#532)	*GHIJKL..O.Q.....
C-15	NY7-4822-000		1	KEYTOP (#537)	*GHIJKL.....
C-15	NY7-4828-000		1	KEYTOP (#543)	*GHIJKL....Q.....
C-15	NY7-4834-000		1	KEYTOP (#549)	*GHIJKL....Q.....
C-15	NY7-4838-000		1	KEYTOP (#553)	*GHIJKL..O.Q.....
C-15	NY7-4845-000		1	KEYTOP (#561)	*K.....
C-15	NY7-4858-000		1	KEYTOP (#574)	*K.....
C-15	NY7-4869-000		1	KEYTOP (#585)	*K.....
C-15	NY7-4875-000		1	KEYTOP R	*	ABCDEFGHIJKLNMOPQR.....
C-15	NY7-4877-000		1	KEYTOP I	*	ABCDEFGHIJKLNMOPQR.....
C-15	NY7-4879-000		1	KEYTOP P	*	ABCDEFGHIJKLNMOPQR.....
C-15	NY7-4880-000		1	KEYTOP Z	*KL.....
C-15	NY7-4886-000		1	KEYTOP (#596)	*K.....
C-15	NY7-4895-000		1	KEYTOP Q	*	...DEF....KL..OP.....
C-15	NY7-4897-000		1	KEYTOP W	*	...DEF....KL..O.....
C-15	NY7-4898-000		1	KEYTOP E	*	ABCDEFGHIJKLNMOPQR.....
C-15	NY7-4900-000		1	KEYTOP T	*	...DEF....KLM.OP.....
C-15	NY7-4902-000		1	KEYTOP U	*	...DEF....KLM.OP.....
C-15	NY7-4904-000		1	KEYTOP O	*	...D....K..M.....
C-15	NY7-4911-000		1	KEYTOP (#608)	*K.....
C-15	NY7-4920-000		1	KEYTOP S	*	ABCDEFGHIJKLNMOPQR.....
C-15	NY7-4921-000		1	KEYTOP F	*	ABCDEFGHIJKLNMOPQR.....
C-15	NY7-4922-000		1	KEYTOP H	*	ABCDEFGHIJKLNMOPQR.....
C-15	NY7-4923-000		1	KEYTOP K	*	ABCDEFGHIJKLNMOPQR.....
C-15	NY7-4930-000		1	KEYTOP (#622)	*I..K.....
C-15	NY7-4936-000		1	KEYTOP (#628)	*K.....
C-15	NY7-4945-000		1	KEYTOP A	*	...DEF....KL..OP.....
C-15	NY7-4947-000		1	KEYTOP D	*	...DEF....KLM.OP.....
C-15	NY7-4949-000		1	KEYTOP G	*	...DEF....KLM.OP.....
C-15	NY7-4951-000		1	KEYTOP J	*	...DEF....KLM.OP.....
C-15	NY7-4953-000		1	KEYTOP L	*	...DEF....KLM.OP.....
C-15	NY7-4962-000		1	KEYTOP (#643)	*K.....
C-15	NY7-4970-000		1	KEYTOP C	*	ABCDEFGHIJKLNMOPQR.....
C-15	NY7-4971-000		1	KEYTOP B	*	ABCDEFGHIJKLNMOPQR.....
C-15	NY7-4972-000		1	KEYTOP M	*	ABCDEFGHIJKL..NOPQR.....
C-15	NY7-4973-000		1	KEYTOP Y	*KL.....
C-15	NY7-4977-000		1	KEYTOP (#652)	*GHIJKL..O.....
C-15	NY7-4979-000		1	KEYTOP (#654)	*GHIJK.....
C-15	NY7-4986-000		1	KEYTOP (#661)	*K..M.....
C-15	NY7-4994-000		1	KEYTOP X	*	...DEF....KLM.OP.....
C-15	NY7-4996-000		1	KEYTOP V	*	...DEF....KLM.OP.....
C-15	NY7-4998-000		1	KEYTOP N	*	...DEF....KLM.OP.....
C-15	NY7-8004-000		1	KEYTOP (#672)	*KL..O.....
C-15	NY7-8013-000		1	KEYTOP (#681)	*	...EF....KLM.OP.....
C-15	NY7-8015-000		1	KEYTOP (#682)	*	...DEF....KLM.OP.....
C-15	NY7-8017-000		1	KEYTOP (#683)	*	...DEF....KLM.OP.....
C-15	NY7-8019-000		1	KEYTOP (#684)	*	...DEF....KLM.OP.....
C-15	NY7-8022-000		1	KEYTOP (#685)	*	...DEF....KLM.OP.....
C-15	NY7-8024-000		1	KEYTOP (#686)	*	...D....K..M.....
C-15	NY7-8028-000		2	KEYTOP (#688)	*	...DEF....KLM.OP.....
C-15	NY7-8031-000		1	KEYTOP (#691)	*	...DEF....KLM.OP.....
C-15	NY7-8032-000		1	KEYTOP (#692)	*	...DEF....KLM.OP.....
C-15	NY7-8036-000		1	KEYTOP (#694)	*	...EF....KLM.OP.....
C-15	NY7-8038-000		1	KEYTOP (#695)	*	...DEF....KLM.OP.....
C-15	NY7-8039-000		1	KEYTOP (#696)	*	ABCDEFGHIJKLNMOPQR.....

C-16. KEYTOPS (SWITZERLAND)



Jef Raskin Document # 062 -- Canon Cat Computer Repair Manual

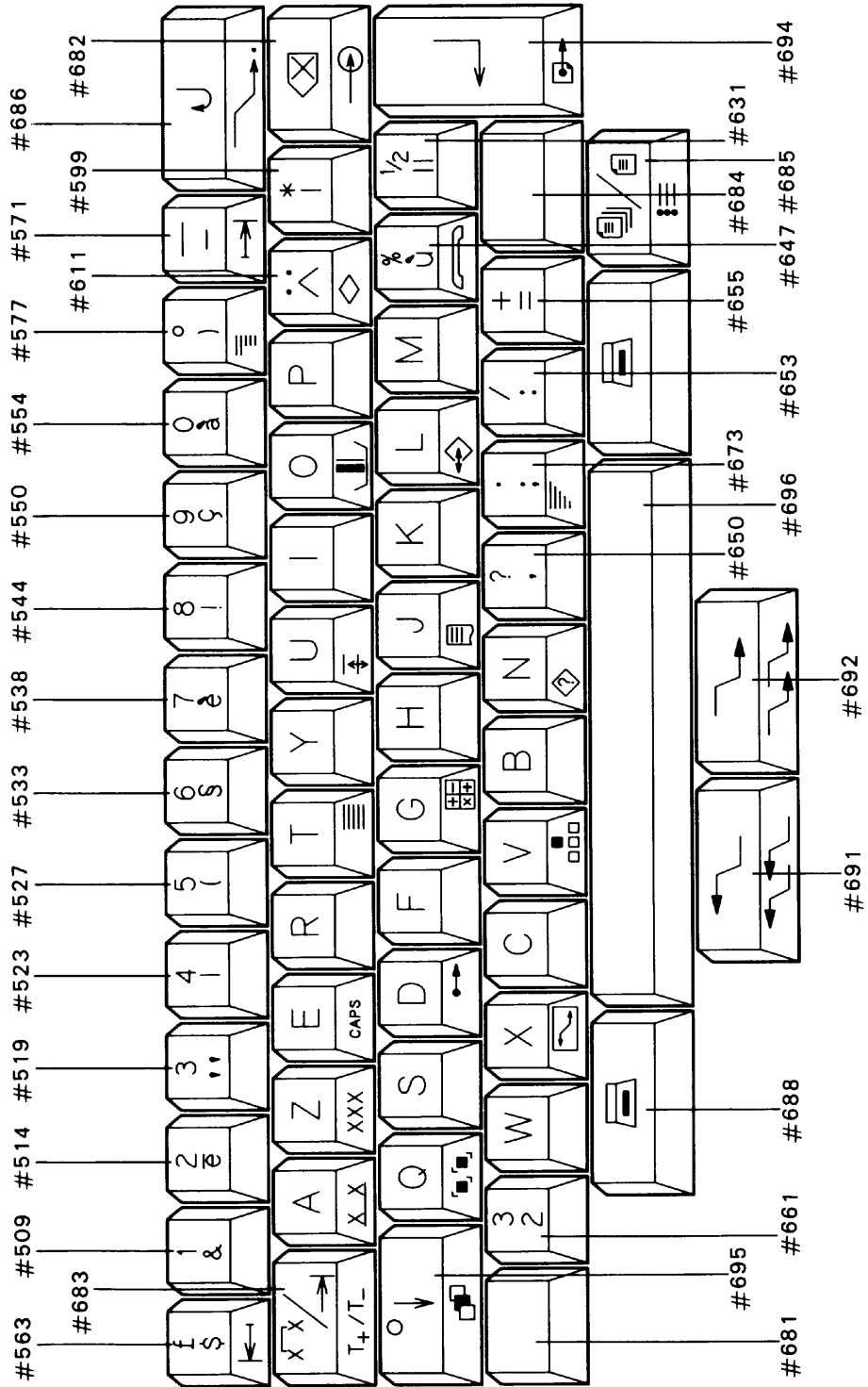
C-16. KEYTOPS (SWITZERLAND)
[COUNTRY CODE AS SHOWN BELOW]

COUNTRY CODE:

A: USA/CANADA E: LATIN(115V) I: SWEDEN/FINLAND M: FRANCE Q: S.AFRICA
B: ASIA F: LATIN(230V) J: NETHERLANDS N: U.K. R: JAPAN
C: OCEANIA G: NORWAY K: W.GERMANY O: SPAIN
D: QUEBEC H: DENMARK L: SWITZERLAND P: ITALY

FIGURE & KEY NO.	PART NUMBER	RANK	Q'TY	DESCRIPTION	REMARKS	COUNTRY CODE
						ABCDEFGHIJKLMNOPQR.....
C-16	NY7-4793-000		1	KEYTOP (#508)	*L.....Q.....
C-16	NY7-4798-000		1	KEYTOP (#513)	*	...DEFGHIJKL.NO.Q.....
C-16	NY7-4803-000		1	KEYTOP (#518)	*L.....
C-16	NY7-4807-000		1	KEYTOP (#522)	*L.....
C-16	NY7-4811-000		1	KEYTOP (#526)	*	ABCDEFGHIJKL...QR.....
C-16	NY7-4817-000		1	KEYTOP (#532)	*GHIJKL..O.Q.....
C-16	NY7-4822-000		1	KEYTOP (#537)	*GHIJKL.....
C-16	NY7-4828-000		1	KEYTOP (#543)	*GHIJKL...Q.....
C-16	NY7-4834-000		1	KEYTOP (#549)	*GHIJKL...O.Q.....
C-16	NY7-4838-000		1	KEYTOP (#553)	*GHIJKL..O.Q.....
C-16	NY7-4846-000		1	KEYTOP (#562)	*L.....
C-16	NY7-4860-000		1	KEYTOP (#576)	*L.....
C-16	NY7-4871-000		1	KEYTOP (#587)	*L.....
C-16	NY7-4875-000		1	KEYTOP R	*	ABCDEFGHIJKLMNOPQR.....
C-16	NY7-4877-000		1	KEYTOP I	*	ABCDEFGHIJKLMNOPQR.....
C-16	NY7-4878-000		1	KEYTOP O	*	...EFGHIJ.L..OPQ.....
C-16	NY7-4879-000		1	KEYTOP P	*	ABCDEFGHIJKLMNOPQR.....
C-16	NY7-4880-000		1	KEYTOP Z	*KL.....
C-16	NY7-4888-000		1	KEYTOP (#598)	*L.....
C-16	NY7-4895-000		1	KEYTOP Q	*	...DEF...KL..OP.....
C-16	NY7-4897-000		1	KEYTOP W	*	...DEF...KL..O.....
C-16	NY7-4898-000		1	KEYTOP E	*	ABCDEFGHIJKLMNOPQR.....
C-16	NY7-4900-000		1	KEYTOP T	*	...DEF...KLM.OP.....
C-16	NY7-4902-000		1	KEYTOP U	*	...DEF...KLM.OP.....
C-16	NY7-4913-000		1	KEYTOP (#610)	*L.....
C-16	NY7-4920-000		1	KEYTOP S	*	ABCDEFGHIJKLMNOPQR.....
C-16	NY7-4921-000		1	KEYTOP F	*	ABCDEFGHIJKLMNOPQR.....
C-16	NY7-4922-000		1	KEYTOP H	*	ABCDEFGHIJKLMNOPQR.....
C-16	NY7-4923-000		1	KEYTOP K	*	ABCDEFGHIJKLMNOPQR.....
C-16	NY7-4932-000		1	KEYTOP (#624)	*L.....
C-16	NY7-4938-000		1	KEYTOP (#630)	*L.....
C-16	NY7-4945-000		1	KEYTOP A	*	...DEF...KL..OP.....
C-16	NY7-4947-000		1	KEYTOP D	*	...DEF...KLM.OP.....
C-16	NY7-4949-000		1	KEYTOP G	*	...DEF...KLM.OP.....
C-16	NY7-4951-000		1	KEYTOP J	*	...DEF...KLM.OP.....
C-16	NY7-4953-000		1	KEYTOP L	*	...DEF...KLM.OP.....
C-16	NY7-4964-000		1	KEYTOP (#645)	*L.....
C-16	NY7-4970-000		1	KEYTOP C	*	ABCDEFGHIJKLMNOPQR.....
C-16	NY7-4971-000		1	KEYTOP B	*	ABCDEFGHIJKLMNOPQR.....
C-16	NY7-4972-000		1	KEYTOP M	*	ABCDEFGHIJKL.NOPQR.....
C-16	NY7-4973-000		1	KEYTOP Y	*KL.....
C-16	NY7-4977-000		1	KEYTOP (#652)	*GHIJKL..O.....
C-16	NY7-4988-000		1	KEYTOP (#663)	*L.....
C-16	NY7-4994-000		1	KEYTOP X	*	...DEF...KLM.OP.....
C-16	NY7-4996-000		1	KEYTOP V	*	...DEF...KLM.OP.....
C-16	NY7-4998-000		1	KEYTOP N	*	...DEF...KLM.OP.....
C-16	NY7-8004-000		1	KEYTOP (#672)	*KL..O.....
C-16	NY7-8011-000		1	KEYTOP (#679)	*L.....
C-16	NY7-8013-000		1	KEYTOP (#681)	*	...EF...KLM.OP.....
C-16	NY7-8015-000		1	KEYTOP (#682)	*	...DEF...KLM.OP.....
C-16	NY7-8017-000		1	KEYTOP (#683)	*	...DEF...KLM.OP.....
C-16	NY7-8019-000		1	KEYTOP (#684)	*	...DEF...KLM.OP.....
C-16	NY7-8022-000		1	KEYTOP (#685)	*	...DEF...KLM.OP.....
C-16	NY7-8026-000		1	KEYTOP (#687)	*	...EF...L..OP.....
C-16	NY7-8028-000		2	KEYTOP (#688)	*	...DEF...KLM.OP.....
C-16	NY7-8031-000		1	KEYTOP (#691)	*	...DEF...KLM.OP.....
C-16	NY7-8032-000		1	KEYTOP (#692)	*	...DEF...KLM.OP.....
C-16	NY7-8036-000		1	KEYTOP (#694)	*	...EF...KLM.OP.....
C-16	NY7-8038-000		1	KEYTOP (#695)	*	...DEF...KLM.OP.....
C-16	NY7-8039-000		1	KEYTOP (#696)	*	ABCDEFGHIJKLMNOPQR.....

C-17. KEYTOPS (FRANCE)



C-39

Jef Raskin Document # 062 -- Canon Cat Computer Repair Manual

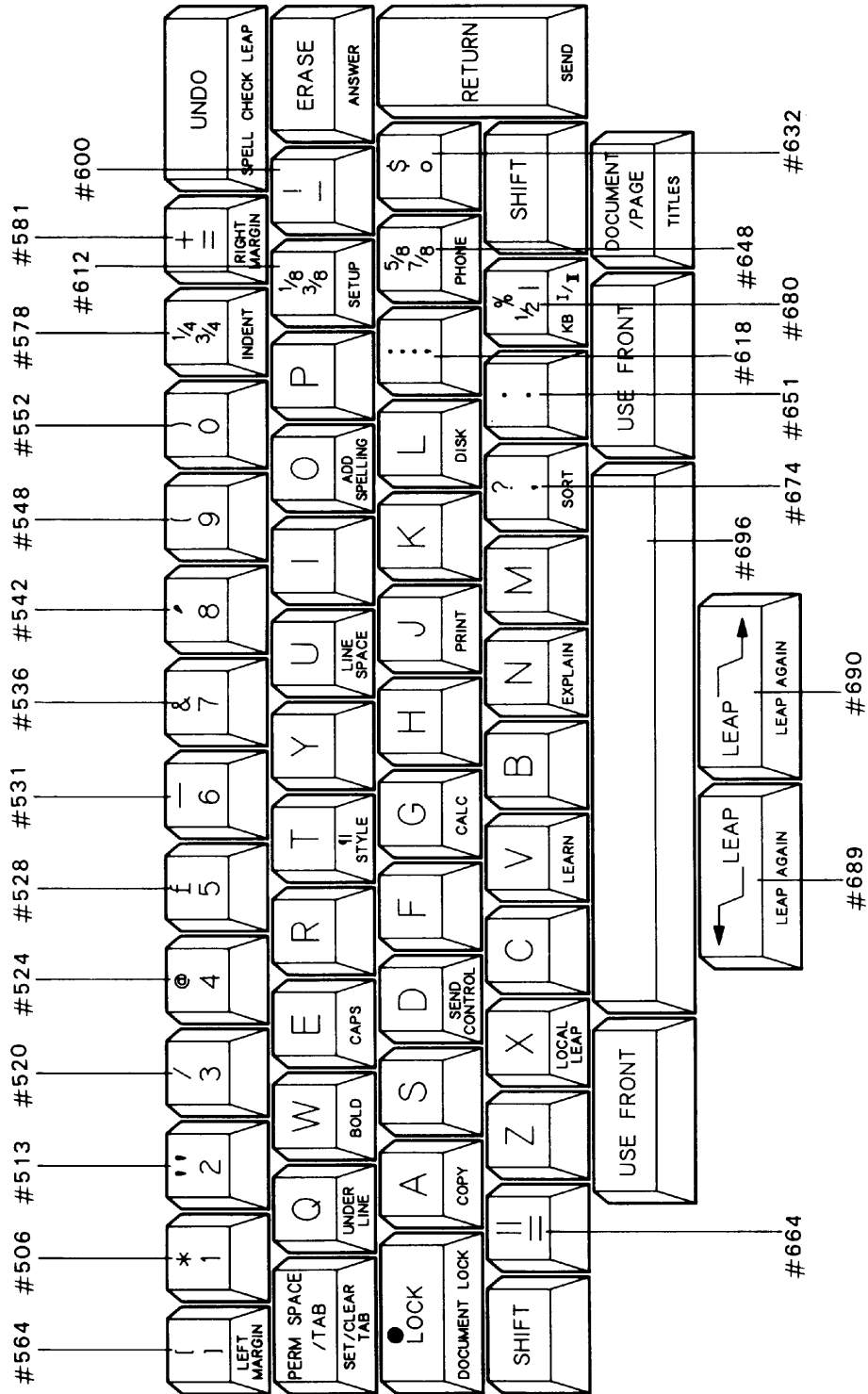
C-17. KEYTOPS (FRANCE)
 [COUNTRY CODE AS SHOWN BELOW]

COUNTRY CODE:

A: USA/CANADA E: LATIN(115V) I: SWEDEN/FINLAND M: FRANCE Q: S.AFRICA
 B: ASIA F: LATIN(230V) J: NETHERLANDS N: U.K. R: JAPAN
 C: OCEANIA G: NORWAY K: W.GERMANY O: SPAIN
 D: QUEBEC H: DENMARK L: SWITZERLAND P: ITALY

FIGURE & KEY NO.	PART NUMBER	RANK	Q'TY	DESCRIPTION	REMARKS	COUNTRY CODE
						ABCDEFGHIJKLMNOPQR.....
C-17	NY7-4794-000		1	KEYTOP (#509)	*M.....
C-17	NY7-4799-000		1	KEYTOP (#514)	*M..P.....
C-17	NY7-4804-000		1	KEYTOP (#519)	*M..P.....
C-17	NY7-4808-000		1	KEYTOP (#523)	*M..P.....
C-17	NY7-4812-000		1	KEYTOP (#527)	*M..P.....
C-17	NY7-4818-000		1	KEYTOP (#533)	*M.....
C-17	NY7-4823-000		1	KEYTOP (#538)	*M..P.....
C-17	NY7-4829-000		1	KEYTOP (#544)	*M.....
C-17	NY7-4835-000		1	KEYTOP (#550)	*M..P.....
C-17	NY7-4839-000		1	KEYTOP (#554)	*M..P.....
C-17	NY7-4847-000		1	KEYTOP (#563)	*M.....
C-17	NY7-4855-000		1	KEYTOP (#571)	*M.....
C-17	NY7-4861-000		1	KEYTOP (#577)	*M..P.....
C-17	NY7-4875-000		1	KEYTOP R	*	ABCDEFGHIJKLMNOPQR.....
C-17	NY7-4876-000		1	KEYTOP Y	*	ABCDEFGHIJ..MNOPQR.....
C-17	NY7-4877-000		1	KEYTOP I	*	ABCDEFGHIJKLMNOPQR.....
C-17	NY7-4879-000		1	KEYTOP P	*	ABCDEFGHIJKLMNOPQR.....
C-17	NY7-4889-000		1	KEYTOP (#599)	*M.....
C-17	NY7-4898-000		1	KEYTOP E	*	ABCDEFGHIJKLMNOPQR.....
C-17	NY7-4900-000		1	KEYTOP T	*	...DEF...KLM.OP.....
C-17	NY7-4902-000		1	KEYTOP U	*	...DEF...KLM.OP.....
C-17	NY7-4904-000		1	KEYTOP O	*	...D.....K..M.....
C-17	NY7-4905-000		1	KEYTOP Z	*M..P.....
C-17	NY7-4906-000		1	KEYTOP A	*M.....
C-17	NY7-4914-000		1	KEYTOP (#611)	*M.....
C-17	NY7-4920-000		1	KEYTOP S	*	ABCDEFGHIJKLMNOPQR.....
C-17	NY7-4921-000		1	KEYTOP F	*	ABCDEFGHIJKLMNOPQR.....
C-17	NY7-4922-000		1	KEYTOP H	*	ABCDEFGHIJKLMNOPQR.....
C-17	NY7-4923-000		1	KEYTOP K	*	ABCDEFGHIJKLMNOPQR.....
C-17	NY7-4924-000		1	KEYTOP M	*M..P.....
C-17	NY7-4939-000		1	KEYTOP (#631)	*M.....
C-17	NY7-4947-000		1	KEYTOP D	*	...DEF...KLM.OP.....
C-17	NY7-4949-000		1	KEYTOP G	*	...DEF...KLM.OP.....
C-17	NY7-4951-000		1	KEYTOP J	*	...DEF...KLM.OP.....
C-17	NY7-4953-000		1	KEYTOP L	*	...DEF...KLM.OP.....
C-17	NY7-4954-000		1	KEYTOP Q	*M.....
C-17	NY7-4966-000		1	KEYTOP (#647)	*M.....
C-17	NY7-4970-000		1	KEYTOP C	*	ABCDEFGHIJKLMNOPQR.....
C-17	NY7-4971-000		1	KEYTOP B	*	ABCDEFGHIJKLMNOPQR.....
C-17	NY7-4974-000		1	KEYTOP W	*M..P.....
C-17	NY7-4975-000		1	KEYTOP (#650)	*M..P.....
C-17	NY7-4978-000		1	KEYTOP (#653)	*M..P.....
C-17	NY7-4980-000		1	KEYTOP (#655)	*M.....
C-17	NY7-4986-000		1	KEYTOP (#661)	*K..M.....
C-17	NY7-4994-000		1	KEYTOP X	*	...DEF...KLM.OP.....
C-17	NY7-4996-000		1	KEYTOP V	*	...DEF...KLM.OP.....
C-17	NY7-4998-000		1	KEYTOP N	*	...DEF...KLM.OP.....
C-17	NY7-8005-000		1	KEYTOP (#673)	*M..P.....
C-17	NY7-8013-000		1	KEYTOP (#681)	*	...EF...KLM.OP.....
C-17	NY7-8015-000		1	KEYTOP (#682)	*	...DEF...KLM.OP.....
C-17	NY7-8017-000		1	KEYTOP (#683)	*	...DEF...KLM.OP.....
C-17	NY7-8019-000		1	KEYTOP (#684)	*	...DEF...KLM.OP.....
C-17	NY7-8022-000		1	KEYTOP (#685)	*	...DEF...KLM.OP.....
C-17	NY7-8024-000		1	KEYTOP (#686)	*	...D.....K..M.....
C-17	NY7-8028-000		2	KEYTOP (#688)	*	...DEF...KLM.OP.....
C-17	NY7-8031-000		1	KEYTOP (#691)	*	...DEF...KLM.OP.....
C-17	NY7-8032-000		1	KEYTOP (#692)	*	...DEF...KLM.OP.....
C-17	NY7-8036-000		1	KEYTOP (#694)	*	...EF...KLM.OP.....
C-17	NY7-8038-000		1	KEYTOP (#695)	*	...DEF...KLM.OP.....
C-17	NY7-8039-000		1	KEYTOP (#696)	*	ABCDEFGHIJKLMNOPQR.....

C-18. KEYPADS (U.K.)



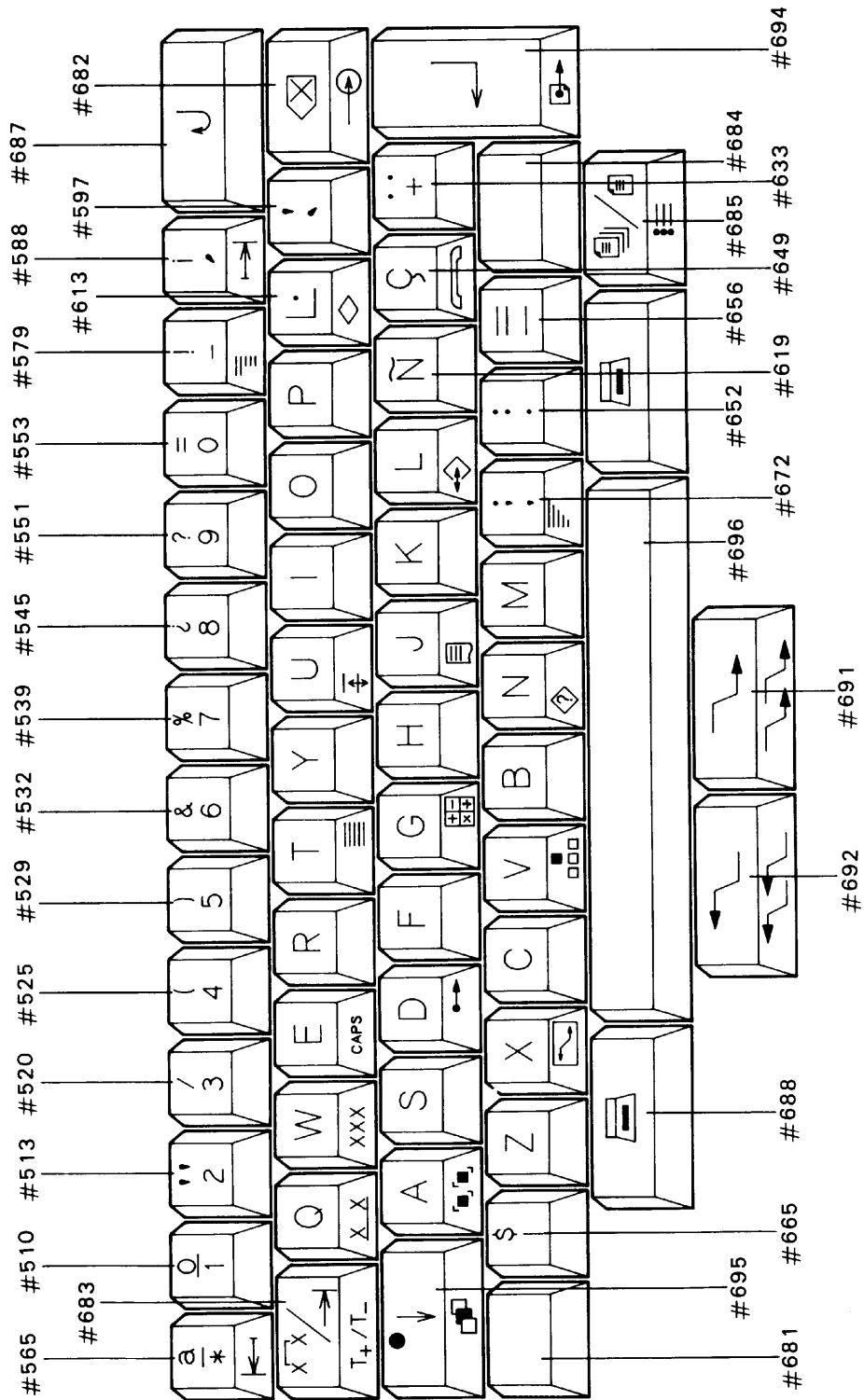
C-18. KEYTOPS (U. K.)
 [COUNTRY CODE AS SHOWN BELOW]

COUNTRY CODE:

A: USA/CANADA E: LATIN(115V) I: SWEDEN/FINLAND M: FRANCE Q: S.AFRICA
 B: ASIA F: LATIN(230V) J: NETHERLANDS N: U.K. R: JAPAN
 C: OCEANIA G: NORWAY K: W.GERMANY O: SPAIN
 D: QUEBEC H: DENMARK L: SWITZERLAND P: ITALY

FIGURE & KEY NO.	PART NUMBER	RANK	Q'TY	DESCRIPTION	REMARKS	COUNTRY CODE
						ABCDEFGHIJKLMNOPQR.....
C-18	NY7-4791-000		1	KEYTOP (#506)	*EF.....N.....
C-18	NY7-4798-000		1	KEYTOP (#513)	*	...DEFGHIJKL..NO..Q.....
C-18	NY7-4805-000		1	KEYTOP (#520)	*NO.....
C-18	NY7-4809-000		1	KEYTOP (#524)	*N..J..Q.....
C-18	NY7-4813-000		1	KEYTOP (#528)	*N.....
C-18	NY7-4816-000		1	KEYTOP (#531)	*EF.....N.....
C-18	NY7-4821-000		1	KEYTOP (#536)	*	ABCDEF.....N...R.....
C-18	NY7-4827-000		1	KEYTOP (#542)	*EF.....N.....
C-18	NY7-4833-000		1	KEYTOP (#548)	*	ABCDEF.....N...R.....
C-18	NY7-4837-000		1	KEYTOP (#552)	*	ABCDEF.....N...R.....
C-18	NY7-4848-000		1	KEYTOP (#564)	*N.....
C-18	NY7-4862-000		1	KEYTOP (#578)	*N.....
C-18	NY7-4865-000		1	KEYTOP (#581)	*	ABC.....N.....
C-18	NY7-4875-000		1	KEYTOP R	*	ABCDEFGHIJKLMNOPQR.....
C-18	NY7-4876-000		1	KEYTOP Y	*	ABCDEFGHIJ...MNOPQR.....
C-18	NY7-4877-000		1	KEYTOP I	*	ABCDEFGHIJKLMNOPQR.....
C-18	NY7-4879-000		1	KEYTOP P	*	ABCDEFGHIJKLMNOPQR.....
C-18	NY7-4890-000		1	KEYTOP (#600)	*N.....
C-18	NY7-4894-000		1	KEYTOP Q	*	ABC...GHIJ...N...QR.....
C-18	NY7-4896-000		1	KEYTOP W	*	ABC...GHIJ...N...QR.....
C-18	NY7-4898-000		1	KEYTOP E	*	ABCDEFGHIJKLMNOPQR.....
C-18	NY7-4899-000		1	KEYTOP T	*	ABC...GHIJ...N...QR.....
C-18	NY7-4901-000		1	KEYTOP U	*	ABCD...GHIJ...N...QR.....
C-18	NY7-4903-000		1	KEYTOP O	*	ABC.....N...R.....
C-18	NY7-4915-000		1	KEYTOP (#612)	*N.....
C-18	NY7-4920-000		1	KEYTOP S	*	ABCDEFGHIJKLMNOPQR.....
C-18	NY7-4921-000		1	KEYTOP F	*	ABCDEFGHIJKLMNOPQR.....
C-18	NY7-4922-000		1	KEYTOP H	*	ABCDEFGHIJKLMNOPQR.....
C-18	NY7-4923-000		1	KEYTOP K	*	ABCDEFGHIJKLMNOPQR.....
C-18	NY7-4926-000		1	KEYTOP (#618)	*N.....
C-18	NY7-4940-000		1	KEYTOP (#632)	*N.....
C-18	NY7-4944-000		1	KEYTOP A	*	ABC...GHIJ...N...QR.....
C-18	NY7-4946-000		1	KEYTOP D	*	ABC...GHIJ...N...QR.....
C-18	NY7-4948-000		1	KEYTOP G	*	ABC...GHIJ...N...QR.....
C-18	NY7-4950-000		1	KEYTOP J	*	ABC...GHIJ...N...QR.....
C-18	NY7-4952-000		1	KEYTOP L	*	ABC...GHIJ...N...QR.....
C-18	NY7-4967-000		1	KEYTOP (#648)	*N.....
C-18	NY7-4969-000		1	KEYTOP Z	*	ABCDEFGHIJ...NO..QR.....
C-18	NY7-4970-000		1	KEYTOP C	*	ABCDEFGHIJKLMNOPQR.....
C-18	NY7-4971-000		1	KEYTOP B	*	ABCDEFGHIJKLMNOPQR.....
C-18	NY7-4972-000		1	KEYTOP M	*	ABCDEFGHIJKLMNOPQR.....
C-18	NY7-4976-000		1	KEYTOP (#651)	*	ABCDEF.....N...QR.....
C-18	NY7-4989-000		1	KEYTOP (#664)	*N.....
C-18	NY7-4993-000		1	KEYTOP X	*	ABC...GHIJ...N...QR.....
C-18	NY7-4995-000		1	KEYTOP V	*	ABC...GHIJ...N...QR.....
C-18	NY7-4997-000		1	KEYTOP N	*	ABC...GHIJ...N...QR.....
C-18	NY7-8006-000		1	KEYTOP (#674)	*N.....
C-18	NY7-8012-000		1	KEYTOP (#680)	*N.....
C-18	NY7-8014-000		1	KEYTOP SHIFT	*GHIJ...N...Q.....
C-18	NY7-8016-000		1	KEYTOP PERM SPACE/TAB	*	ABC...GHIJ...N...QR.....
C-18	NY7-8018-000		1	KEYTOP ERASE	*	ABC...GHIJ...N...QR.....
C-18	NY7-8020-000		1	KEYTOP SHIFT	*	ABC...GHIJ...N...QR.....
C-18	NY7-8021-000		1	KEYTOP DOCUMENT/PAGE	*	ABC...GHIJ...N...QR.....
C-18	NY7-8023-000		1	KEYTOP UNDO	*	ABC.....N...R.....
C-18	NY7-8027-000		2	KEYTOP USE FRONT	*	ABC...GHIJ...N...QR.....
C-18	NY7-8029-000		1	KEYTOP (#689)	*	ABC...GHIJ...N...QR.....
C-18	NY7-8030-000		1	KEYTOP (#690)	*	ABC...GHIJ...N...QR.....
C-18	NY7-8035-000		1	KEYTOP RETURN	*GHIJ...N...Q.....
C-18	NY7-8037-000		1	KEYTOP LOCK	*	ABC...GHIJ...N...QR.....
C-18	NY7-8039-000		1	KEYTOP (#696)	*	ABCDEFGHIJKLMNOPQR.....

C-19. KEYTOPS (SPAIN)



C-19. KEYTOPS (SPAIN)

[COUNTRY CODE AS SHOWN BELOW]

COUNTRY CODE:

A: USA/CANADA E: LATIN(115V) I: SWEDEN/FINLAND M: FRANCE Q: S.AFRICA
 B: ASIA F: LATIN(230V) J: NETHERLANDS N: U.K. R: JAPAN
 C: OCEANIA G: NORWAY K: W.GERMANY O: SPAIN
 D: QUEBEC H: DENMARK L: SWITZERLAND P: ITALY

FIGURE & KEY NO.	PART NUMBER	RANK	Q'TY	DESCRIPTION	REMARKS	COUNTRY CODE
						ABCDEFGHIJKLMNOPQR.....
C-19	NY7-4795-000		1	KEYTOP (#510)	*0.....
C-19	NY7-4798-000		1	KEYTOP (#513)	*	...DEFGHIJKL..NO..Q.....
C-19	NY7-4805-000		1	KEYTOP (#520)	*NO.....
C-19	NY7-4810-000		1	KEYTOP (#525)	*0.....
C-19	NY7-4814-000		1	KEYTOP (#529)	*0.....
C-19	NY7-4817-000		1	KEYTOP (#532)	*GHIJKL..0..Q.....
C-19	NY7-4824-000		1	KEYTOP (#539)	*0.....
C-19	NY7-4830-000		1	KEYTOP (#545)	*0.....
C-19	NY7-4836-000		1	KEYTOP (#551)	*0.....
C-19	NY7-4838-000		1	KEYTOP (#553)	*GHIJKL..0..Q.....
C-19	NY7-4849-000		1	KEYTOP (#565)	*0.....
C-19	NY7-4863-000		1	KEYTOP (#579)	*0.....
C-19	NY7-4872-000		1	KEYTOP (#588)	*0.....
C-19	NY7-4875-000		1	KEYTOP R	*	ABCDEFGHIJKLMNOPQR.....
C-19	NY7-4876-000		1	KEYTOP Y	*	ABCDEFGHIJKLMNOPQR.....
C-19	NY7-4877-000		1	KEYTOP I	*	ABCDEFGHIJKLMNOPQR.....
C-19	NY7-4878-000		1	KEYTOP O	*EFGHIJ..L..OPQ.....
C-19	NY7-4879-000		1	KEYTOP P	*	ABCDEFGHIJKLMNOPQR.....
C-19	NY7-4887-000		1	KEYTOP (#597)	*J...0.....
C-19	NY7-4895-000		1	KEYTOP Q	*	...DEF...KL..OP.....
C-19	NY7-4897-000		1	KEYTOP W	*	...DEF...KL..0.....
C-19	NY7-4898-000		1	KEYTOP E	*	ABCDEFGHIJKLMNOPQR.....
C-19	NY7-4900-000		1	KEYTOP T	*	...DEF...KLM..OP.....
C-19	NY7-4902-000		1	KEYTOP U	*	...DEF...KLM..OP.....
C-19	NY7-4916-000		1	KEYTOP (#613)	*0.....
C-19	NY7-4920-000		1	KEYTOP S	*	ABCDEFGHIJKLMNOPQR.....
C-19	NY7-4921-000		1	KEYTOP F	*	ABCDEFGHIJKLMNOPQR.....
C-19	NY7-4922-000		1	KEYTOP H	*	ABCDEFGHIJKLMNOPQR.....
C-19	NY7-4923-000		1	KEYTOP K	*	ABCDEFGHIJKLMNOPQR.....
C-19	NY7-4927-000		1	KEYTOP (#619)	*EF.....0.....
C-19	NY7-4941-000		1	KEYTOP (#633)	*0.....
C-19	NY7-4945-000		1	KEYTOP A	*	...DEF...KL..OP.....
C-19	NY7-4947-000		1	KEYTOP D	*	..DEF...KLM..OP.....
C-19	NY7-4949-000		1	KEYTOP G	*	...DEF...KLM..OP.....
C-19	NY7-4951-000		1	KEYTOP J	*	...DEF...KLM..OP.....
C-19	NY7-4953-000		1	KEYTOP L	*	...DEF...KLM..OP.....
C-19	NY7-4968-000		1	KEYTOP (#649)	*0.....
C-19	NY7-4969-000		1	KEYTOP Z	*	ABCDEFGHIJKLMNOPQR.....
C-19	NY7-4970-000		1	KEYTOP C	*	ABCDEFGHIJKLMNOPQR.....
C-19	NY7-4971-000		1	KEYTOP B	*	ABCDEFGHIJKLMNOPQR.....
C-19	NY7-4972-000		1	KEYTOP M	*	ABCDEFGHIJKLMNOPQR.....
C-19	NY7-4977-000		1	KEYTOP (#652)	*GHIJKL..0.....
C-19	NY7-4981-000		1	KEYTOP (#656)	*0.....
C-19	NY7-4990-000		1	KEYTOP (#665)	*0.....
C-19	NY7-4994-000		1	KEYTOP X	*	...DEF...KLM..OP.....
C-19	NY7-4996-000		1	KEYTOP V	*	...DEF...KLM..OP.....
C-19	NY7-4998-000		1	KEYTOP N	*	...DEF...KLM..OP.....
C-19	NY7-8004-000		1	KEYTOP (#672)	*KL..0.....
C-19	NY7-8013-000		1	KEYTOP (#681)	*EF...KLM..OP.....
C-19	NY7-8015-000		1	KEYTOP (#682)	*	...DEF...KLM..OP.....
C-19	NY7-8017-000		1	KEYTOP (#683)	*	...DEF...KLM..OP.....
C-19	NY7-8019-000		1	KEYTOP (#684)	*	...DEF...KLM..OP.....
C-19	NY7-8022-000		1	KEYTOP (#685)	*	...DEF...KLM..OP.....
C-19	NY7-8026-000		1	KEYTOP (#687)	*EF...L..OP.....
C-19	NY7-8028-000		2	KEYTOP (#688)	*	...DEF...KLM..OP.....
C-19	NY7-8031-000		1	KEYTOP (#691)	*	...DEF...KLM..OP.....
C-19	NY7-8032-000		1	KEYTOP (#692)	*	...DEF...KLM..OP.....
C-19	NY7-8036-000		1	KEYTOP (#694)	*EF...KLM..OP.....
C-19	NY7-8038-000		1	KEYTOP (#695)	*	...DEF...KLM..OP.....
C-19	NY7-8039-000		1	KEYTOP (#696)	*	ABCDEFGHIJKLMNOPQR.....

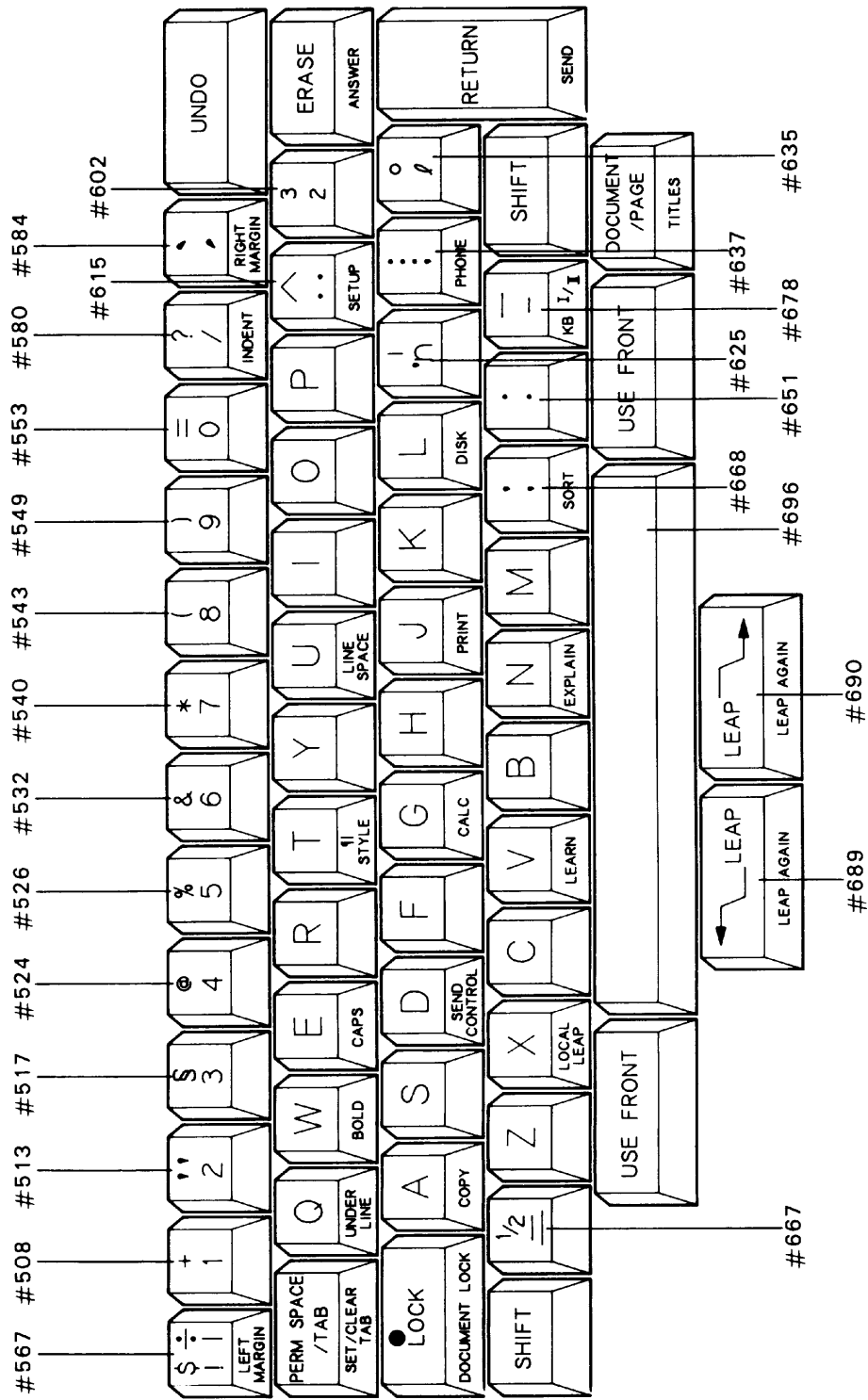
C-20. KEYTOPS (ITALY)
 [COUNTRY CODE AS SHOWN BELOW]

COUNTRY CODE:

A: USA/CANADA E: LATIN(115V) I: SWEDEN/FINLAND M: FRANCE Q: S.AFRICA
 B: ASIA F: LATIN(230V) J: NETHERLANDS N: U.K. R: JAPAN
 C: OCEANIA G: NORWAY K: W.GERMANY O: SPAIN
 D: QUEBEC H: DENMARK L: SWITZERLAND P: ITALY

FIGURE & KEY NO.	PART NUMBER	RANK	Q'TY	DESCRIPTION	REMARKS	COUNTRY CODE
						ABCDEFGHIJKLMNOPQR.....
C-20	NY7-4796-000		1	KEYTOP (#511)	*P.....
C-20	NY7-4799-000		1	KEYTOP (#514)	*M.P.....
C-20	NY7-4804-000		1	KEYTOP (#519)	*M.P.....
C-20	NY7-4808-000		1	KEYTOP (#523)	*M.P.....
C-20	NY7-4812-000		1	KEYTOP (#527)	*M.P.....
C-20	NY7-4819-000		1	KEYTOP (#534)	*P.....
C-20	NY7-4823-000		1	KEYTOP (#538)	*M.P.....
C-20	NY7-4831-000		1	KEYTOP (#546)	*P.....
C-20	NY7-4835-000		1	KEYTOP (#550)	*M.P.....
C-20	NY7-4839-000		1	KEYTOP (#554)	*M.P.....
C-20	NY7-4850-000		1	KEYTOP (#566)	*P.....
C-20	NY7-4861-000		1	KEYTOP (#577)	*M.P.....
C-20	NY7-4873-000		1	KEYTOP (#589)	*P.....
C-20	NY7-4875-000		1	KEYTOP R	*	ABCDEFGHIJKLMNOPQR.....
C-20	NY7-4876-000		1	KEYTOP Y	*	ABCDEFGHIJKLMNOPQR.....
C-20	NY7-4877-000		1	KEYTOP I	*	ABCDEFGHIJKLMNOPQR.....
C-20	NY7-4878-000		1	KEYTOP O	*	...EFGHIJ.L..OPQ.....
C-20	NY7-4879-000		1	KEYTOP P	*	ABCDEFGHIJKLMNOPQR.....
C-20	NY7-4891-000		1	KEYTOP (#601)	*P.....
C-20	NY7-4895-000		1	KEYTOP Q	*	...DEF...KL..OP.....
C-20	NY7-4898-000		1	KEYTOP E	*	ABCDEFGHIJKLMNOPQR.....
C-20	NY7-4900-000		1	KEYTOP T	*	...DEF...KLM.OP.....
C-20	NY7-4902-000		1	KEYTOP U	*	...DEF...KLM.OP.....
C-20	NY7-4905-000		1	KEYTOP Z	*M.P.....
C-20	NY7-4917-000		1	KEYTOP (#614)	*P.....
C-20	NY7-4920-000		1	KEYTOP S	*	ABCDEFGHIJKLMNOPQR.....
C-20	NY7-4921-000		1	KEYTOP F	*	ABCDEFGHIJKLMNOPQR.....
C-20	NY7-4922-000		1	KEYTOP H	*	ABCDEFGHIJKLMNOPQR.....
C-20	NY7-4923-000		1	KEYTOP K	*	ABCDEFGHIJKLMNOPQR.....
C-20	NY7-4924-000		1	KEYTOP M	*M.P.....
C-20	NY7-4942-000		1	KEYTOP (#634)	*P.....
C-20	NY7-4945-000		1	KEYTOP A	*	...DEF...KL..OP.....
C-20	NY7-4947-000		1	KEYTOP D	*	...DEF...KLM.OP.....
C-20	NY7-4949-000		1	KEYTOP G	*	...DEF...KLM.OP.....
C-20	NY7-4951-000		1	KEYTOP J	*	...DEF...KLM.OP.....
C-20	NY7-4953-000		1	KEYTOP L	*	...DEF...KLM.OP.....
C-20	NY7-4965-000		1	KEYTOP (#646)	*P.....
C-20	NY7-4970-000		1	KEYTOP C	*	ABCDEFGHIJKLMNOPQR.....
C-20	NY7-4971-000		1	KEYTOP B	*	ABCDEFGHIJKLMNOPQR.....
C-20	NY7-4974-000		1	KEYTOP W	*M.P.....
C-20	NY7-4975-000		1	KEYTOP (#650)	*M.P.....
C-20	NY7-4978-000		1	KEYTOP (#653)	*M.P.....
C-20	NY7-4982-000		1	KEYTOP (#657)	*P.....
C-20	NY7-4991-000		1	KEYTOP (#666)	*P.....
C-20	NY7-4994-000		1	KEYTOP X	*	...DEF...KLM.OP.....
C-20	NY7-4996-000		1	KEYTOP V	*	...DEF...KLM.OP.....
C-20	NY7-4998-000		1	KEYTOP N	*	...DEF...KLM.OP.....
C-20	NY7-8005-000		1	KEYTOP (#673)	*M.P.....
C-20	NY7-8013-000		1	KEYTOP (#681)	*	...EF...KLM.OP.....
C-20	NY7-8015-000		1	KEYTOP (#682)	*	...DEF...KLM.OP.....
C-20	NY7-8017-000		1	KEYTOP (#683)	*	...DEF...KLM.OP.....
C-20	NY7-8019-000		1	KEYTOP (#684)	*	...DEF...KLM.OP.....
C-20	NY7-8022-000		1	KEYTOP (#685)	*	...DEF...KLM.OP.....
C-20	NY7-8026-000		1	KEYTOP (#687)	*	...EF...L..OP.....
C-20	NY7-8028-000		2	KEYTOP (#688)	*	...DEF...KLM.OP.....
C-20	NY7-8031-000		1	KEYTOP (#691)	*	...DEF...KLM.OP.....
C-20	NY7-8032-000		1	KEYTOP (#692)	*	...DEF...KLM.OP.....
C-20	NY7-8036-000		1	KEYTOP (#694)	*	...EF...KLM.OP.....
C-20	NY7-8038-000		1	KEYTOP (#695)	*	...DEF...KLM.OP.....
C-20	NY7-8039-000		1	KEYTOP (#696)	*	ABCDEFGHIJKLMNOPQR.....

C-21. KEYTUPS (S.AFRICA)



C-47

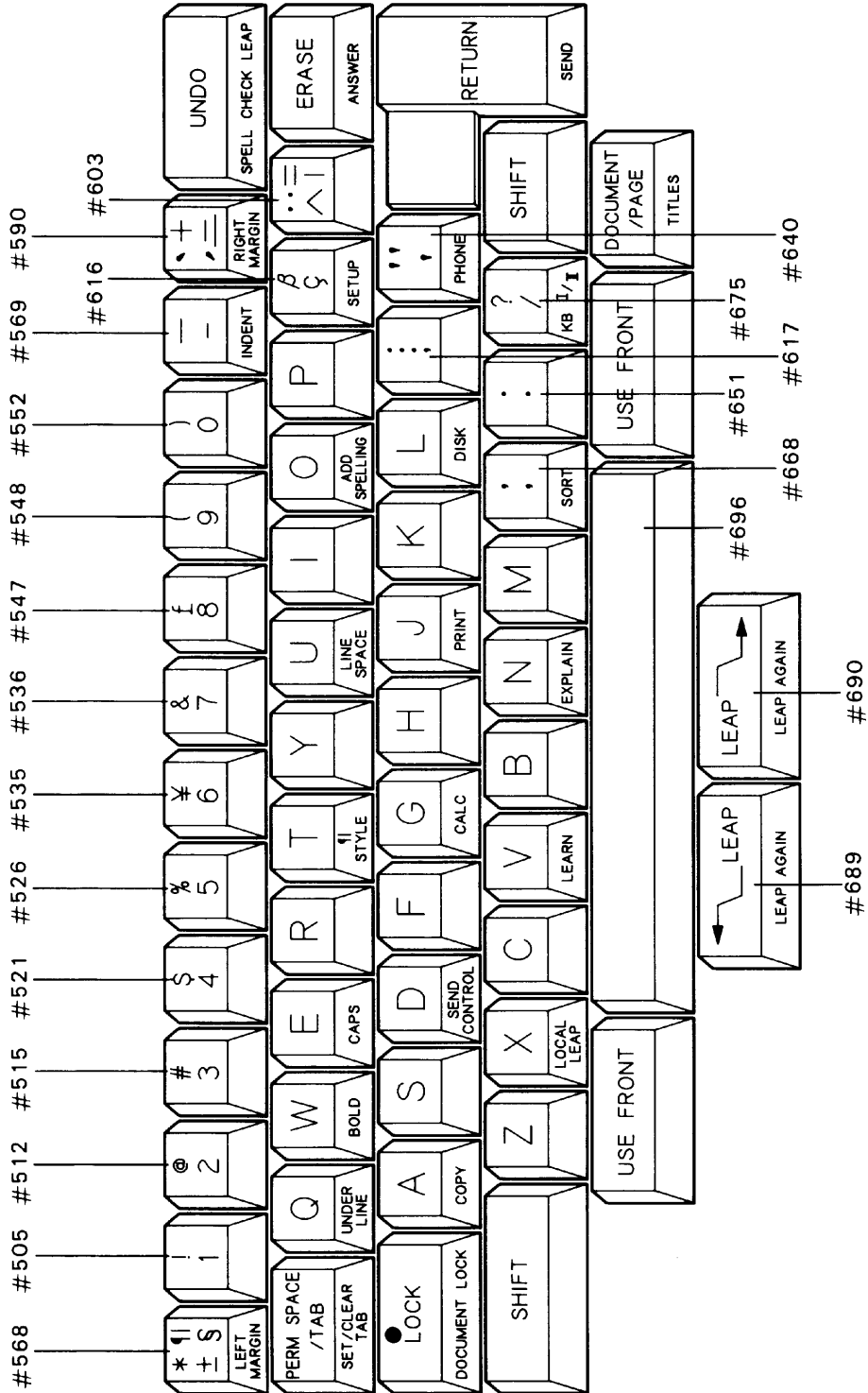
C-21. KEYTOPS (S. AFRICA)
 [COUNTRY CODE AS SHOWN BELOW]

COUNTRY CODE:

A: USA/CANADA E: LATIN(115V) I: SWEDEN/FINLAND M: FRANCE Q: S.AFRICA
 B: ASIA F: LATIN(230V) J: NETHERLANDS N: U.K. R: JAPAN
 C: OCEANIA G: NORWAY K: W.GERMANY O: SPAIN
 D: QUEBEC H: DENMARK L: SWITZERLAND P: ITALY

FIGURE & KEY NO.	PART NUMBER	RANK	Q'TY	DESCRIPTION	REMARKS	COUNTRY CODE
						ABCDEFGHIJKLMNPOQR.....
C-21	NY7-4793-000		1	KEYTOP (#508)	*L...Q.....
C-21	NY7-4798-000		1	KEYTOP (#513)	*	...DEFGHIJKL..NO..Q.....
C-21	NY7-4802-000		1	KEYTOP (#517)	*K...Q.....
C-21	NY7-4809-000		1	KEYTOP (#524)	*N...Q.....
C-21	NY7-4811-000		1	KEYTOP (#526)	*	ABCDEFGHIJKLMNPOQR.....
C-21	NY7-4817-000		1	KEYTOP (#532)	*GHIJKL..O..Q.....
C-21	NY7-4825-000		1	KEYTOP (#540)	*Q.....
C-21	NY7-4828-000		1	KEYTOP (#543)	*GHIJKL..Q.....
C-21	NY7-4834-000		1	KEYTOP (#549)	*GHIJKL..Q.....
C-21	NY7-4838-000		1	KEYTOP (#553)	*GHIJKL..O..Q.....
C-21	NY7-4851-000		1	KEYTOP (#567)	*Q.....
C-21	NY7-4864-000		1	KEYTOP (#580)	*Q.....
C-21	NY7-4868-000		1	KEYTOP (#584)	*GHI.....Q.....
C-21	NY7-4875-000		1	KEYTOP R	*	ABCDEFGHIJKLMNPOQR.....
C-21	NY7-4876-000		1	KEYTOP Y	*	ABCDEFGHIJKLMNPOQR.....
C-21	NY7-4877-000		1	KEYTOP I	*	ABCDEFGHIJKLMNPOQR.....
C-21	NY7-4878-000		1	KEYTOP O	*EFGHIJ..L..OPQ.....
C-21	NY7-4879-000		1	KEYTOP P	*	ABCDEFGHIJKLMNPOQR.....
C-21	NY7-4892-000		1	KEYTOP (#602)	*Q.....
C-21	NY7-4894-000		1	KEYTOP Q	*	ABC...GHIJ...N..QR.....
C-21	NY7-4896-000		1	KEYTOP W	*	ABC...GHIJ...N..QR.....
C-21	NY7-4898-000		1	KEYTOP E	*	ABCDEFGHIJKLMNPOQR.....
C-21	NY7-4899-000		1	KEYTOP T	*	ABC...GHIJ...N..QR.....
C-21	NY7-4901-000		1	KEYTOP U	*	ABCD...GHIJ...N..QR.....
C-21	NY7-4918-000		1	KEYTOP (#615)	*Q.....
C-21	NY7-4920-000		1	KEYTOP S	*	ABCDEFGHIJKLMNPOQR.....
C-21	NY7-4921-000		1	KEYTOP F	*	ABCDEFGHIJKLMNPOQR.....
C-21	NY7-4922-000		1	KEYTOP H	*	ABCDEFGHIJKLMNPOQR.....
C-21	NY7-4923-000		1	KEYTOP K	*	ABCDEFGHIJKLMNPOQR.....
C-21	NY7-4933-000		1	KEYTOP (#625)	*Q.....
C-21	NY7-4943-000		1	KEYTOP (#635)	*Q.....
C-21	NY7-4944-000		1	KEYTOP A	*	ABC...GHIJ...N..QR.....
C-21	NY7-4946-000		1	KEYTOP D	*	ABC...GHIJ...N..QR.....
C-21	NY7-4948-000		1	KEYTOP G	*	ABC...GHIJ...N..QR.....
C-21	NY7-4950-000		1	KEYTOP J	*	ABC...GHIJ...N..QR.....
C-21	NY7-4952-000		1	KEYTOP L	*	ABC...GHIJ...N..QR.....
C-21	NY7-4956-000		1	KEYTOP (#637)	*Q.....
C-21	NY7-4969-000		1	KEYTOP Z	*	ABCDEFGHIJKLMNPOQR.....
C-21	NY7-4970-000		1	KEYTOP C	*	ABCDEFGHIJKLMNPOQR.....
C-21	NY7-4971-000		1	KEYTOP B	*	ABCDEFGHIJKLMNPOQR.....
C-21	NY7-4972-000		1	KEYTOP M	*	ABCDEFGHIJKLMNPOQR.....
C-21	NY7-4976-000		1	KEYTOP (#651)	*	ABCDEF.....N..QR.....
C-21	NY7-4992-000		1	KEYTOP (#667)	*Q.....
C-21	NY7-4993-000		1	KEYTOP X	*	ABC...GHIJ...N..QR.....
C-21	NY7-4995-000		1	KEYTOP V	*	ABC...GHIJ...N..QR.....
C-21	NY7-4997-000		1	KEYTOP N	*	ABC...GHIJ...N..QR.....
C-21	NY7-4999-000		1	KEYTOP (#668)	*	ABC.....QR.....
C-21	NY7-8010-000		1	KEYTOP (#678)	*Q.....
C-21	NY7-8014-000		1	KEYTOP SHIFT	*GHIJ...N..Q.....
C-21	NY7-8016-000		1	KEYTOP PERM SPACE/TAB	*	ABC...GHIJ...N..QR.....
C-21	NY7-8018-000		1	KEYTOP ERASE	*	ABC...GHIJ...N..QR.....
C-21	NY7-8020-000		1	KEYTOP SHIFT	*	ABC...GHIJ...N..QR.....
C-21	NY7-8021-000		1	KEYTOP DOCUMENT/PAGE	*	ABC...GHIJ...N..QR.....
C-21	NY7-8025-000		1	KEYTOP UNDO	*GHIJ.....Q.....
C-21	NY7-8027-000		2	KEYTOP USE FRONT	*	ABC...GHIJ...N..QR.....
C-21	NY7-8029-000		1	KEYTOP (#689)	*	ABC...GHIJ...N..QR.....
C-21	NY7-8030-000		1	KEYTOP (#690)	*	ABC...GHIJ...N..QR.....
C-21	NY7-8035-000		1	KEYTOP RETURN	*GHIJ...N..Q.....
C-21	NY7-8037-000		1	KEYTOP LOCK	*	ABC...GHIJ...N..QR.....
C-21	NY7-8039-000		1	KEYTOP (#696)	*	ABCDEFGHIJKLMNPOQR.....

C-22. KEYTOPS (JAPAN)



Jef Raskin Document # 062 -- Canon Cat Computer Repair Manual

C-22. KEYTOPS (JAPAN)
 [COUNTRY CODE AS SHOWN BELOW]

COUNTRY CODE:

A: USA/CANADA E: LATIN(115V) I: SWEDEN/FINLAND M: FRANCE Q: S.AFRICA
 B: ASIA F: LATIN(230V) J: NETHERLANDS N: U.K. R: JAPAN
 C: OCEANIA G: NORWAY K: W.GERMANY O: SPAIN
 D: QUEBEC H: DENMARK L: SWITZERLAND P: ITALY

FIGURE & KEY NO.	PART NUMBER	RANK	Q'TY	DESCRIPTION	REMARKS	COUNTRY CODE
						ABCDEFGHIJKLMNOPQR.....
C-22	NY7-4790-000		1	KEYTOP (#505)	*	ABCD...IJK...R.....
C-22	NY7-4797-000		1	KEYTOP (#512)	*	ABC.....R.....
C-22	NY7-4800-000		1	KEYTOP (#515)	*	ABCDEF.....R.....
C-22	NY7-4806-000		1	KEYTOP (#521)	*	ABCDEFGHJKLMN.....R.....
C-22	NY7-4811-000		1	KEYTOP (#526)	*	ABCDEFGHJKLMN.....QR.....
C-22	NY7-4820-000		1	KEYTOP (#535)	*R.....
C-22	NY7-4821-000		1	KEYTOP (#536)	*	ABCDEF.....N.....R.....
C-22	NY7-4832-000		1	KEYTOP (#547)	*R.....
C-22	NY7-4833-000		1	KEYTOP (#548)	*	ABCDEF.....N.....R.....
C-22	NY7-4837-000		1	KEYTOP (#552)	*	ABCDEF.....N.....R.....
C-22	NY7-4852-000		1	KEYTOP (#568)	*R.....
C-22	NY7-4853-000		1	KEYTOP (#569)	*	ABC.....R.....
C-22	NY7-4874-000		1	KEYTOP (#590)	*R.....
C-22	NY7-4875-000		1	KEYTOP R	*	ABCDEFGHJKLMNOPQR.....
C-22	NY7-4876-000		1	KEYTOP Y	*	ABCDEFGHJKLMN.....
C-22	NY7-4877-000		1	KEYTOP I	*	ABCDEFGHJKLMNOPQR.....
C-22	NY7-4879-000		1	KEYTOP P	*	ABCDEFGHJKLMNOPQR.....
C-22	NY7-4893-000		1	KEYTOP (#603)	*R.....
C-22	NY7-4894-000		1	KEYTOP Q	*	ABC...GHIJ...N...QR.....
C-22	NY7-4896-000		1	KEYTOP W	*	ABC...GHIJ...N...QR.....
C-22	NY7-4898-000		1	KEYTOP E	*	ABCDEFGHJKLMNOPQR.....
C-22	NY7-4899-000		1	KEYTOP T	*	ABC...GHIJ...N...QR.....
C-22	NY7-4901-000		1	KEYTOP U	*	ABCD...GHIJ...N...QR.....
C-22	NY7-4903-000		1	KEYTOP O	*	ABC.....N.....R.....
C-22	NY7-4919-000		1	KEYTOP (#616)	*R.....
C-22	NY7-4920-000		1	KEYTOP S	*	ABCDEFGHJKLMNOPQR.....
C-22	NY7-4921-000		1	KEYTOP F	*	ABCDEFGHJKLMNOPQR.....
C-22	NY7-4922-000		1	KEYTOP H	*	ABCDEFGHJKLMNOPQR.....
C-22	NY7-4923-000		1	KEYTOP K	*	ABCDEFGHJKLMNOPQR.....
C-22	NY7-4925-000		1	KEYTOP (#617)	*	ABCD.....R.....
C-22	NY7-4944-000		1	KEYTOP A	*	ABC...GHIJ...N...QR.....
C-22	NY7-4946-000		1	KEYTOP D	*	ABC...GHIJ...N...QR.....
C-22	NY7-4948-000		1	KEYTOP G	*	ABC...GHIJ...N...QR.....
C-22	NY7-4950-000		1	KEYTOP J	*	ABC...GHIJ...N...QR.....
C-22	NY7-4952-000		1	KEYTOP L	*	ABC...GHIJ...N...QR.....
C-22	NY7-4959-000		1	KEYTOP (#640)	*	ABC.....R.....
C-22	NY7-4969-000		1	KEYTOP Z	*	ABCDEFGHJKLMN.....NO.....QR.....
C-22	NY7-4970-000		1	KEYTOP C	*	ABCDEFGHJKLMNOPQR.....
C-22	NY7-4971-000		1	KEYTOP B	*	ABCDEFGHJKLMNOPQR.....
C-22	NY7-4972-000		1	KEYTOP M	*	ABCDEFGHJKLMN.....NO.....QR.....
C-22	NY7-4976-000		1	KEYTOP (#651)	*	ABCDEF.....N...QR.....
C-22	NY7-4993-000		1	KEYTOP X	*	ABC...GHIJ...N...QR.....
C-22	NY7-4995-000		1	KEYTOP V	*	ABC...GHIJ...N...QR.....
C-22	NY7-4997-000		1	KEYTOP N	*	ABC...GHIJ...N...QR.....
C-22	NY7-4999-000		1	KEYTOP (#668)	*	ABC.....QR.....
C-22	NY7-8007-000		1	KEYTOP (#675)	*	ABC.....R.....
C-22	NY7-8016-000		1	KEYTOP PERM SPACE/TAB	*	ABC...GHIJ...N...QR.....
C-22	NY7-8018-000		1	KEYTOP ERASE	*	ABC...GHIJ...N...QR.....
C-22	NY7-8020-000		1	KEYTOP SHIFT	*	ABC...GHIJ...N...QR.....
C-22	NY7-8021-000		1	KEYTOP DOCUMENT/PAGE	*	ABC...GHIJ...N...QR.....
C-22	NY7-8023-000		1	KEYTOP UNDO	*	ABC.....N...R.....
C-22	NY7-8027-000		2	KEYTOP USE FRONT	*	ABC...GHIJ...N...QR.....
C-22	NY7-8029-000		1	KEYTOP (#689)	*	ABC...GHIJ...N...QR.....
C-22	NY7-8030-000		1	KEYTOP (#690)	*	ABC...GHIJ...N...QR.....
C-22	NY7-8034-000		1	KEYTOP SHIFT	*	ABC.....R.....
C-22	NY7-8037-000		1	KEYTOP LOCK	*	ABC...GHIJ...N...QR.....
C-22	NY7-8039-000		1	KEYTOP (#696)	*	ABCDEFGHJKLMNOPQR.....
C-22	NY7-8040-000		1	KEYTOP RETURN	*	ABC.....R.....

D. SCREWS

[COUNTRY CODE AS SHOWN BELOW]

COUNTRY CODE:

A: USA/CANADA E: LATIN(115V) I: SWEDEN/FINLAND M: FRANCE Q: S.AFRICA
 B: ASIA F: LATIN(230V) J: NETHERLANDS N: U.K. R: JAPAN
 C: OCEANIA G: NORWAY K: W.GERMANY O: SPAIN
 D: QUEBEC H: DENMARK L: SWITZERLAND P: ITALY

FIGURE & KEY NO.	PART NUMBER	RANK	Q'TY	DESCRIPTION	REMARKS	COUNTRY CODE
						ABCDEFGHIJKLMNOPQR.....
D S 1	XB1-2300-405		4	SCREW, BH 3X4		ABCDEFGHIJKLMNOPQR.....
D S 2	XB1-2300-807		5	SCREW, BH M3X8	*	ABCDEFGHIJKLMNOPQR.....
D S 3	XA9-0412-000		19	SCREW, BH M3X6		ABCDEFGHIJKLMNOPQR.....
D S 4	XB4-7300-805		4	SCREW, BH M3X8	*	ABCDEFGHIJKLMNOPQR.....
D S 5	XB5-2400-805		2	SCREW, BH M4X8	*	ABCDEFGHIJKLMNOPQR.....
D S 6	XB5-6300-605		2	SCREW, TP, PH M3X6		ABCDEFGHIJKLMNOPQR.....
D S 7	XB6-7400-805		10	SCREW, BH 3X8		ABCDEFGHIJKLMNOPQR.....
D S 8	XB6-7400-807		4	SCREW, TP M3X4	*	ABCDEFGHIJKLMNOPQR.....

E. TOOLS

[COUNTRY CODE AS SHOWN BELOW]

COUNTRY CODE:

A: USA/CANADA E: LATIN(115V) I: SWEDEN/FINLAND M: FRANCE Q: S.AFRICA
 B: ASIA F: LATIN(230V) J: NETHERLANDS N: U.K. R: JAPAN
 C: OCEANIA G: NORWAY K: W.GERMANY O: SPAIN
 D: QUEBEC H: DENMARK L: SWITZERLAND P: ITALY

FIGURE & KEY NO.	PART NUMBER	RANK	Q'TY	DESCRIPTION	REMARKS	COUNTRY CODE
						ABCDEFGHIJKLMNOPQR.....
E 1	CK-0101		1	SCREW DRIVER, PHILLIPS HEAD		ABCDEFGHIJKLMNOPQR.....
E 2	CK-0103		1	SCREW DRIVER, PHILLIPS HEAD		ABCDEFGHIJKLMNOPQR.....
E 3	CK-0120		1	SCREW DRIVER, PRECISION HEAD		ABCDEFGHIJKLMNOPQR.....
E 4	CK-0129		1	SCREW DRIVER, PRECISION PHILLIPS HEAD		ABCDEFGHIJKLMNOPQR.....
E 5	CK-0130		1	SCREW DRIVER, PHILLIPS HEAD		ABCDEFGHIJKLMNOPQR.....
E 6	CK-0202		1	PLIERS, NEEDLE NOSE		ABCDEFGHIJKLMNOPQR.....
E 7	CK-0306		1	TWEEZERS		ABCDEFGHIJKLMNOPQR.....
E 8	CK-0436		1	MULTIMETER, DIGITAL		ABCDEFGHIJKLMNOPQR.....
E 9	CK-0502		1	ALIGNMENT TOOL KIT		ABCDEFGHIJKLMNOPQR.....
E 10	TKC-0470		1	ALIGNMENT DISK		ABCDEFGHIJKLMNOPQR.....
E 11	TKC-0471		1	CLEANING DISK		ABCDEFGHIJKLMNOPQR.....

F. NUMERICAL INDEX
 [COUNTRY CODE AS SHOWN BELOW]

COUNTRY CODE:

A: USA/CANADA E: LATIN(115V) I: SWEDEN/FINLAND M: FRANCE Q: S.AFRICA
 B: ASIA F: LATIN(230V) J: NETHERLANDS N: U.K. R: JAPAN
 C: OCEANIA G: NORWAY K: W.GERMANY O: SPAIN
 D: QUEBEC H: DENMARK L: SWITZERLAND P: ITALY

FIGURE & KEY NO.	PART NUMBER	RANK	Q'TY	DESCRIPTION	REMARKS	COUNTRY CODE ABCDEFGHIJKLmnopqr.....
B 1	NA1-0868-000		1	KNOB, VARIABLE RESISTOR		ABCDEFGHIJKLmnopqr.....
B 2	NA1-3834-000		2	RUBBER FOOT	*	ABCDEFGHIJKLmnopqr.....
B 3	NA1-5152-000		1	BASE CASE	*	.B..EF.H.JKLMNOPQR.....
B 5	NA1-5154-000		1	ESCUTCHEON	*	.B..EF.H.JKLMNOPQR.....
B 6	NA1-5155-000		1	CRT COVER	*	.B..EF.H.JKLMNOPQR.....
B 7	NA1-5156-000		1	BASE PLATE	*	ABCDEFGHIJKLmnopqr.....
B 8	NA1-5157-000		2	EARTH PLATE A	*	ABCDEFGHIJKLmnopqr.....
B 9	NA1-5158-000		2	EARTH PLATE B	*	ABCDEFGHIJKLmnopqr.....
B 10	NA1-5159-000		1	MOUNTING PLATE, FOD	*	ABCDEFGHIJKLmnopqr.....
B 11	NA1-5160-000		1	SHIELD PLATE, CRT	*	ABCDEFGHIJKLmnopqr.....
B 3	NA1-5162-000		1	BASE CASE (UL)	*	A.CD..G.I.....
B 5	NA1-5164-000		1	ESCUTCHEON	*	A.CD..G.I.....
B 6	NA1-5165-000		1	CRT COVER (UL)	*	A.CD..G.I.....
B 21	NA1-5793-000		1	SHIELD PLATE , CPU PCB	*	ABCDEFGHIJKLmnopqr.....
B 20	NA1-5803-000		1	SHIELD PLATE , KEYBOARD	*	ABCDEFGHIJKLmnopqr.....
B 19	NA1-5804-000		2	SPRING, EARTH	*	ABCDEFGHIJKLmnopqr.....
B 12	NA9-0116-000		1	PLATE NUT	*	ABCDEFGHIJKLmnopqr.....
C-1 BATT	NF1-0878-000		1	BATTERY BOX ASSEMBLY		ABCDEFGHIJKLmnopqr.....
B 4	NF1-1103-000		1	KEYBOARD COVER ASSEMBLY	*	.B..EF.H.JKLMNOPQR.....
B 4	NF1-1105-000		1	KEYBOARD COVER ASSEMBLY	*	A.CD..G.I.....
B 13	NG3-1030-000	N	1	CPU PCB UNIT	*FRU	A.....R.....
B 13	NG3-1031-000	N	1	CPU PCB UNIT	*FRU	...D.....
B 13	NG3-1032-000	N	1	CPU PCB UNIT	*FRU	..C.....N.....
B 13	NG3-1033-000	N	1	CPU PCB UNIT	*FRUM.....
B 13	NG3-1034-000	N	1	CPU PCB UNIT	*FRUK.....
B 13	NG3-1035-000	N	1	CPU PCB UNIT	*FRU	.B..EFGHIJ.L..OPQ.....
C-1	NH1-0300-000	X	1	CPU P.C. BOARD	*	ABCDEFGHIJKLmnopqr.....
C-1 IC 30	NH4-5001-000		1	MOS LSI UPD65013 CW-276	*	ABCDEFGHIJKLmnopqr.....
C-1 IC 13	NH4-5002-000		1	MOS LSI UPD65012 CW-191	*	ABCDEFGHIJKLmnopqr.....
C-1 IC 31	NH4-5003-000		1	MOS LSI UPD65012 CW-141	*	ABCDEFGHIJKLmnopqr.....
C-1 IC 2	NH7-0097-000		1	MOS LSI MBM27C512-25(B91U**)	*	A..D.....R.....
C-1 IC 4	NH7-0098-000		1	MOS LSI MBM27C512-25(B92U**)	*	A..D.....R.....
C-1 IC 3	NH7-0099-000		1	MOS LSI MBM27C512-25(B93U**)	*	A..D.....R.....
C-1 IC 5	NH7-0100-000		1	MOS LSI MBM27C512-25(B94U**)	*	A..D.....R.....
C-1 IC 6	NH7-0684-000		1	MOS LSI HN62301A-C11(MASK ROM)		A.....R.....
C-1 IC 6	NH7-0724-000		1	MOS LSI HN62301APC38		..C.....N.....
C-1 IC 6	NH7-0813-000		1	MOS LSI HN62301APD28		...D.....M.....
C-1 IC 7	NH7-0814-000		1	MOS LSI HN62301APD29		...D.....M.....
C-1 IC 6	NH7-1019-000		1	MOS LSI MB831000-15P-263	K.....
C-1 IC 7	NH7-1020-000		1	MOS LSI MB831000-15P-264	K.....
C-1 IC 8	NH7-1021-000		1	MOS LSI MB831000-15P-265	K.....
B 14	N55-0656-000	N	1	CRT/POWER SUPPLY UNIT MATSU	*FRU	A.....
B 15	N55-0659-000	N	1	MICRO FDD UNIT	*FRU	ABCDEFGHIJKLmnopqr.....
B 14	N55-0661-000	N	1	CRT/POWER SUPPLY UNIT GOLDSTAR	*FRU	A..DE.....
B 14	N55-0662-000	N	1	CRT/POWER SUPPLY UNIT GOLDSTAR	*FRUR.....
B 14	N55-0663-000	N	1	CRT/POWER SUPPLY UNIT GOLDSTAR	*FRU	.BC..FGHIJKLmnopq.....
B 16	N55-0688-000	N	1	KEYBOARD UNIT	*FRU	ABC.....
B 16	N55-0689-000	N	1	KEYBOARD UNIT	*FRU	...D.....
B 16	N55-0690-000	N	1	KEYBOARD UNIT	*FRUEF.....
B 16	N55-0691-000	N	1	KEYBOARD UNIT	*FRUG.....
B 16	N55-0692-000	N	1	KEYBOARD UNIT	*FRUH.....
B 16	N55-0693-000	N	1	KEYBOARD UNIT	*FRUI.....
B 16	N55-0694-000	N	1	KEYBOARD UNIT	*FRUJ.....
B 16	N55-0695-000	N	1	KEYBOARD UNIT	*FRUK.....
B 16	N55-0696-000	N	1	KEYBOARD UNIT	*FRUL.....

F. NUMERICAL INDEX
[COUNTRY CODE AS SHOWN BELOW]

COUNTRY CODE:

A: USA/CANADA E: LATIN(115V) I: SWEDEN/FINLAND M: FRANCE Q: S.AFRICA
 B: ASIA F: LATIN(230V) J: NETHERLANDS N: U.K. R: JAPAN
 C: OCEANIA G: NORWAY K: W.GERMANY O: SPAIN
 D: QUEBEC H: DENMARK L: SWITZERLAND P: ITALY

FIGURE & KEY NO.	PART NUMBER	RANK	Q'TY	DESCRIPTION	REMARKS	COUNTRY CODE
						ABCDEFGHIJKL MNOPQR.....
B 16	NS5-0697-000	N	1	KEYBOARD UNIT	*FRUM.....
B 16	NS5-0698-000	N	1	KEYBOARD UNIT	*FRUN.....
B 16	NS5-0699-000	N	1	KEYBOARD UNIT	*FRUO.....
B 16	NS5-0700-000	N	1	KEYBOARD UNIT	*FRUP.....
B 16	NS5-0701-000	N	1	KEYBOARD UNIT	*FRUQ.....
B 16	NS5-0702-000	N	1	KEYBOARD UNIT	*FRUR.....
C-5 Q301	NY7-0798-000		1	TRANSISTOR 2N3P04		A.....
C-5 Q703	NY7-0799-000		1	TRANSISTOR 2SD1163A		A.....
C-5 SG301	NY7-0800-000		1	SPARK GAP		A.....
C-5 SG302	NY7-0800-000		1	SPARK GAP		A.....
C-5 SG303	NY7-0800-000		1	SPARK GAP		A.....
C-5 IC701	NY7-0801-000		1	IC AN 5790N (H.DRIVER)		A.....
C-5 C303	NY7-0802-000		1	CERAMIC CAP. 100PF		A.....
C-5 C608	NY7-0803-000		1	CERAMIC CAP. 120PF 50V		A.....
C-5 C605	NY7-0804-000		1	CERAMIC CAP. 270PF		A.....
C-5 C922	NY7-0804-000		1	CERAMIC CAP. 270PF		A.....
C-5 C918	NY7-0805-000		1	ALUMINUM CAP. 2200UF 10V		A.....
C-5 C721	NY7-0806-000		1	ALUMINUM CAP. 47UF 100V		A.....
C-5 C613	NY7-0807-000		1	ALUMINUM CAP. 1000UF 16V		A.....
C-5 C610	NY7-0808-000		1	ALUMINUM CAP. 220UF 16V		A.....
C-5 C706	NY7-0808-000		1	ALUMINUM CAP. 220UF 16V		A.....
C-5 C716	NY7-0808-000		1	ALUMINUM CAP. 220UF 16V		A.....
C-5 C717	NY7-0808-000		1	ALUMINUM CAP. 220UF 16V		A.....
C-5 C609	NY7-0809-000		1	ALUMINUM CAP. 2200UF 16V		A.....
C-5 C301	NY7-0810-000		1	ALUMINUM CAP. 47UF 16V		A.....
C-5 C924	NY7-0810-000		1	ALUMINUM CAP. 47UF 16V		A.....
C-5 C915	NY7-0811-000		1	ALUMINUM CAP. 470UF 16V		A.....
C-5 C906	NY7-0812-000		1	ALUMINUM CAP. 10UF 25V		A.....
C-5 C606	NY7-0813-000		1	ALUMINUM CAP. 22UF 25V		A.....
C-5 C611	NY7-0814-000		1	ALUMINUM CAP. 220UF 25V		A.....
C-5 C601	NY7-0815-000		1	ALUMINUM CAP. 0.1UF 50V		A.....
C-5 C912	NY7-0816-000		1	ALUMINUM CAP. 10UF 50V		A.....
C-5 C701	NY7-0817-000		1	ALUMINUM CAP. 2.2UF 50V		A.....
C-5 C715	NY7-0818-000		1	ALUMINUM CAP. 470UF 50V		A.....
C-5 C720	NY7-0819-000		1	ALUMINUM CAP. 10UF 100V		A.....
C-5 C304	NY7-0820-000		1	ALUMINUM CAP. 2.2UF 100V		A.....
C-5 C916	NY7-0821-000		1	ALUMINUM CAP. 1600UF 10V		A.....
C-5 C917	NY7-0821-000		1	ALUMINUM CAP. 1600UF 10V		A.....
C-5 C913	NY7-0822-000		1	ALUMINUM CAP. 1000UF 25V		A.....
C-5 C914	NY7-0822-000		1	ALUMINUM CAP. 1000UF 25V		A.....
C-5 C905	NY7-0823-000		1	ALUMINUM CAP. 120UF 200V		A.....
C-5 C724	NY7-0824-000		1	ALUMINUM CAP. 3.3UF 50V		A.....
C-5 L702	NY7-0825-000		1	CHOKE COIL 3.3UH		A.....
C-5 C306	NY7-0826-000		1	CERAMIC CAP. 0.0022UF 500V		A.....
C-5 C722	NY7-0827-000		1	CERAMIC CAP. 0.01UF 1KV		A.....
C-5 C302	NY7-0828-000		1	CERAMIC CAP. 0.01UF 50V		A.....
C-5 C705	NY7-0828-000		1	CERAMIC CAP. 0.01UF 50V		A.....
C-5 C612	NY7-0829-000		1	CERAMIC CAP. 0.1UF 50V		A.....
C-5 L701	NY7-0830-000		1	COIL, FERRITE BEAD		A.....
C-5 C702	NY7-0831-000		1	FILM CAP. 0.015UF 100V		A.....
C-5 C703	NY7-0831-000		1	FILM CAP. 0.015UF 100V		A.....
C-5 C707	NY7-0832-000		1	CERAMIC CAP. 0.0022UF		A.....
C-5 C711	NY7-0833-000		1	FILM CAP. 0.022UF 100V		A.....
C-5 C712	NY7-0833-000		1	FILM CAP. 0.022UF 100V		A.....
C-5 C919	NY7-0833-000		1	FILM CAP. 0.022UF 100V		A.....

F. NUMERICAL INDEX
 [COUNTRY CODE AS SHOWN BELOW]

COUNTRY CODE:

A: USA/CANADA E: LATIN(115V) I: SWEDEN/FINLAND M: FRANCE Q: S.AFRICA
 B: ASIA F: LATIN(230V) J: NETHERLANDS N: U.K. R: JAPAN
 C: OCEANIA G: NORWAY K: W.GERMANY O: SPAIN
 D: QUEBEC H: DENMARK L: SWITZERLAND P: ITALY

FIGURE & KEY NO.	PART NUMBER	RANK	Q'TY	DESCRIPTION	REMARKS	COUNTRY CODE ABCDEFGHIJKLMNOPQR.....
C-5 C713	NY7-0834-000		1	FILM CAP. 0.033UF 100V		A.....
C-5 C908	NY7-0835-000		1	FILM CAP. 0.0047UF 100V		A.....
C-5 C902	NY7-0836-000		1	CERAMIC CAP. 0.0022UF		A.....
C-5 C903	NY7-0836-000		1	CERAMIC CAP. 0.0022UF		A.....
C-5 C920	NY7-0836-000		1	CERAMIC CAP. 0.0022UF		A.....
C-5 C921	NY7-0836-000		1	CERAMIC CAP. 0.0022UF		A.....
C-5 D907	NY7-0837-000		1	DIODE RL4Z		A.....
C-5 D902	NY7-0838-000		1	DIODE ES1F		A.....
C-5 T702	NY7-0839-000		1	TRANSFORMER (F.B.T.)		A.....
C-5 R716	NY7-0840-000		1	RESISTOR 18 OHM 1/2W		A.....
C-5 IC902	NY7-0841-000		1	IC SI-3122V		A.....
C-5 L703	NY7-0842-000		1	COIL (H.SIZE)		A.....
C-5 IC904	NY7-0843-000		1	IC H11C4		A.....
C-5 VR704	NY7-0844-000		1	VARIABLE RESISTOR 3.3M		A.....
C-5 T701	NY7-0845-000		1	TRANSFORMER (H.DRIVER)		A.....
C-5 D301	NY7-0846-000		1	ZENER DIODE 7.0		A.....
C-5 IC903	NY7-0847-000		1	IC S1-3522V		A.....
C-5 IC601	NY7-0848-000		1	IC TDA 1170N (V.DRIVER)		A.....
C-5 D601	NY7-0849-000		1	DIODE KDS 1555		A.....
C-5 Q902	NY7-0850-000		1	TRANSISTOR KTC1815Y		A.....
C-5 Q901	NY7-0851-000		1	TRANSISTOR KTC2120Y		A.....
C-5 Q302	NY7-0852-000		1	TRANSISTOR KTC2229		A.....
C-5 IC905	NY7-0853-000		1	IC L78M12CV		A.....
C-5 L901	NY7-0854-000		1	COIL, LINE FILTER		A.....
C-5 L704	NY7-0855-000		1	COIL, (H.LIN)		A.....
C-5 P703	NY7-0856-000		1	CONNECTOR 3PIN		A.....
C-5 P901	NY7-0857-000		1	CONNECTOR 2PIN		A.....
C-5 P702	NY7-0858-000		1	CONNECTOR 4PIN		A.....
C-5 C901	NY7-0859-000		1	FILM CAP. 0.1UF 125V		A.....
C-5 C904	NY7-0859-000		1	FILM CAP. 0.1UF 125V		A.....
C-5 C708	NY7-0860-000		1	FILM CAP. 0.0056UF 100V		A.....
C-5 C909	NY7-0861-000		1	FILM CAP. 0.033UF 100V		A.....
C-5 C911	NY7-0861-000		1	FILM CAP. 0.033UF 100V		A.....
C-5 C602	NY7-0862-000		1	FILM CAP. 0.1UF 100V		A.....
C-5 C603	NY7-0862-000		1	FILM CAP. 0.1UF 100V		A.....
C-5 C604	NY7-0862-000		1	FILM CAP. 0.1UF 100V		A.....
C-5 C607	NY7-0862-000		1	FILM CAP. 0.1UF 100V		A.....
C-5 L301	NY7-0863-000		1	COIL 2.2UH		A.....
C-5 C710	NY7-0864-000		1	FILM CAP. 0.0027UF 100V		A.....
C-5 C910	NY7-0865-000		1	FILM CAP. 0.047UF 200V		A.....
C-5 C925	NY7-0866-000		1	FILM CAP. 0.001UF 630V		A.....
C-5 C714	NY7-0867-000		1	FILM CAP. 0.012UF 400V		A.....
C-5 C907	NY7-0868-000		1	FILM CAP. 0.047UF 800V		A.....
C-5 D901	NY7-0869-000		1	DIODE RB-156		A.....
C-5 R904	NY7-0870-000		1	RESISTOR 10 OHM 1/8W		A.....
C-5 R308	NY7-0871-000		1	RESISTOR 100 OHM 1/8W		A.....
C-5 R717	NY7-0871-000		1	RESISTOR 100 OHM 1/8W		A.....
C-5 R912	NY7-0871-000		1	RESISTOR 100 OHM 1/8W		A.....
C-5 R702	NY7-0872-000		1	RESISTOR 1K OHM 1/8W		A.....
C-5 R711	NY7-0872-000		1	RESISTOR 1K OHM 1/8W		A.....
C-5 R722	NY7-0873-000		1	RESISTOR 100K OHM 1/8W		A.....
C-5 R728	NY7-0873-000		1	RESISTOR 100K OHM 1/8W		A.....
C-5 R607	NY7-0874-000		1	RESISTOR 120K OHM 1/8W		A.....
C-5 R616	NY7-0875-000		1	RESISTOR 130K OHM 1/8W		A.....
C-5 R609	NY7-0876-000		1	RESISTOR 130K OHM 1/8W		A.....

F. NUMERICAL INDEX
 [COUNTRY CODE AS SHOWN BELOW]

COUNTRY CODE:

A: USA/CANADA E: LATIN(115V) I: SWEDEN/FINLAND M: FRANCE Q: S.AFRICA
 B: ASIA F: LATIN(230V) J: NETHERLANDS N: U.K. R: JAPAN
 C: OCEANIA G: NORWAY K: W.GERMANY O: SPAIN
 D: QUEBEC H: DENMARK L: SWITZERLAND P: ITALY

FIGURE & KEY NO.	PART NUMBER	RANK	Q'TY	DESCRIPTION	REMARKS	COUNTRY CODE
						ABCDEFGHIJKLMNOPQR.....
C-5 R911	NY7-0877-000		1	RESISTOR 160 OHM 1/8W		A.....
C-5 R713	NY7-0878-000		1	RESISTOR 18K OHM 1/8W		A.....
C-5 R907	NY7-0879-000		1	RESISTOR 18K OHM 1/8W		A.....
C-5 R729	NY7-0880-000		1	RESISTOR 180K OHM 1/8W		A.....
C-5 R614	NY7-0881-000		1	RESISTOR 1.5 OHM 1/8W		A.....
C-5 R309	NY7-0882-000		1	RESISTOR 220 OHM 1/8W		A.....
C-5 R601	NY7-0883-000		1	RESISTOR 22K OHM 1/8W		A.....
C-5 R721	NY7-0884-000		1	RESISTOR 220K OHM 1/8W		A.....
C-5 R602	NY7-0885-000		1	RESISTOR 2.4K OHM 1/8W		A.....
C-5 R623	NY7-0885-000		1	RESISTOR 2.4K OHM 1/8W		A.....
C-5 R612	NY7-0886-000		1	RESISTOR 24K OHM 1/8W		A.....
C-5 R708	NY7-0887-000		1	RESISTOR 24K OHM 1/8W		A.....
C-5 R714	NY7-0888-000		1	RESISTOR 2.7K OHM 1/8W		A.....
C-5 R712	NY7-0889-000		1	RESISTOR 27K OHM 1/8W		A.....
C-5 R724	NY7-0890-000		1	RESISTOR 30K OHM 1/8W		A.....
C-5 R306	NY7-0891-000		1	RESISTOR 33 OHM 1/8W		A.....
C-5 R723	NY7-0892-000		1	RESISTOR 33K OHM 1/8W		A.....
C-5 R731	NY7-0892-000		1	RESISTOR 33K OHM 1/8W		A.....
C-5 R732	NY7-0892-000		1	RESISTOR 33K OHM 1/8W		A.....
C-5 R733	NY7-0892-000		1	RESISTOR 33K OHM 1/8W		A.....
C-5 R618	NY7-0893-000		1	RESISTOR 3.3 OHM 1/8W		A.....
C-5 R304	NY7-0894-000		1	RESISTOR 470 OHM 1/8W		A.....
C-5 R910	NY7-0894-000		1	RESISTOR 470 OHM 1/8W		A.....
C-5 R611	NY7-0895-000		1	RESISTOR 47K OHM 1/8W		A.....
C-5 R730	NY7-0896-000		1	RESISTOR 47K OHM 1/8W		A.....
C-5 R610	NY7-0897-000		1	RESISTOR 470K OHM 1/8W		A.....
C-5 R307	NY7-0898-000		1	RESISTOR 51 OHM 1/8W		A.....
C-5 R613	NY7-0899-000		1	RESISTOR 5.6K OHM 1/8W		A.....
C-5 R617	NY7-0899-000		1	RESISTOR 5.6K OHM 1/8W		A.....
C-5 R909	NY7-0900-000		1	RESISTOR 56K OHM 1/8W		A.....
C-5 R701	NY7-0901-000		1	RESISTOR 680 OHM 1/8W		A.....
C-5 R615	NY7-0902-000		1	RESISTOR 6.8K OHM 1/8W		A.....
C-5 R902	NY7-0903-000		1	RESISTOR 150K OHM 1/2W		A.....
C-5 R913	NY7-0903-000		1	RESISTOR 150K OHM 1/2W		A.....
C-5 R718	NY7-0904-000		1	RESISTOR 5.6 OHM 1/2W		A.....
C-5 R719	NY7-0904-000		1	RESISTOR 5.6 OHM 1/2W		A.....
C-5 R727	NY7-0905-000		1	RESISTOR 680 OHM 1/2W		A.....
C-5 D911	NY7-0906-000		1	DIODE R05 1EB2		A.....
C-5 R903	NY7-0907-000		1	METAL OXIDE RES. 68K OHM 5W		A.....
C-5 D602	NY7-0908-000		1	DIODE RGP10D		A.....
C-5 D706	NY7-0908-000		1	DIODE RGP10D		A.....
C-5 D710	NY7-0908-000		1	DIODE RGP10D		A.....
C-5 D903	NY7-0908-000		1	DIODE RGP10D		A.....
C-5 D904	NY7-0908-000		1	DIODE RGP10D		A.....
C-5 D905	NY7-0908-000		1	DIODE RGP10D		A.....
C-5 D906	NY7-0908-000		1	DIODE RGP10D		A.....
C-5 D908	NY7-0908-000		1	DIODE RGP10D		A.....
C-5 D910	NY7-0908-000		1	DIODE RGP10D		A.....
C-5 D912	NY7-0908-000		1	DIODE RGP10D		A.....
C-5 D705	NY7-0909-000		1	DIODE RGP10J		A.....
C-5 D703	NY7-0910-000		1	DIODE RGP 30G		A.....
C-5 D704	NY7-0910-000		1	DIODE RGP 30G		A.....
C-5 D708	NY7-0911-000		1	DIODE RGP10M		A.....
C-5 R901	NY7-0912-000		1	METAL RESISTOR 0.39 OHM 1W		A.....
C-5 R311	NY7-0913-000		1	METAL OXIDE RES. 300 OHM 1W		A.....

F. NUMERICAL INDEX
[COUNTRY CODE AS SHOWN BELOW]

COUNTRY CODE:

A: USA/CANADA E: LATIN(115V) I: SWEDEN/FINLAND M: FRANCE Q: S.AFRICA
 B: ASIA F: LATIN(230V) J: NETHERLANDS N: U.K. R: JAPAN
 C: OCEANIA G: NORWAY K: W.GERMANY O: SPAIN
 D: QUEBEC H: DENMARK L: SWITZERLAND P: ITALY

FIGURE & KEY NO.	PART NUMBER	RANK	Q'TY	DESCRIPTION	REMARKS	COUNTRY CODE
						ABCDEFGHIJKLMNOPQR.....
C-5 R905	NY7-0914-000		1	METAL OXIDE RESISTOR 15 OHM 2W		A.....
C-5 R908	NY7-0915-000		1	METAL OXIDE RES. 47K OHM 2W		A.....
C-5 R310	NY7-0916-000		1	METAL OXIDE RES. 680 OHM 2W		A.....
C-5 R906	NY7-0917-000		1	METAL OXIDE RESISTOR 33 OHM 3W		A.....
C-5 D909	NY7-0918-000		1	DIODE S8S840T		A.....
C-5 T901	NY7-0919-000		1	TRANSFORMER		A.....
C-5 VR603	NY7-0920-000		1	VARIABLE RESISTOR 100K OHM		A.....
C-5 VR604	NY7-0920-000		1	VARIABLE RESISTOR 100K OHM		A.....
C-5 VR702	NY7-0921-000		1	VARIABLE RESISTOR 1K OHM		A.....
C-5 VR601	NY7-0922-000		1	VARIABLE RESISTOR 220K OHM		A.....
C-5 VR301	NY7-0923-000		1	VARIABLE RESISTOR 470 OHM		A.....
C-5 VR703	NY7-0924-000		1	VARIABLE RESISTOR 220K OHM		A.....
C-5 IC901	NY7-0925-000		1	IC STR11006		A.....
C-5 F901	NY7-0926-000		1	FUSE 2A250V		A.....
C-5 F902	NY7-0926-000		1	FUSE 2A250V		A.....
C-5 LG01	NY7-0927-000		1	CHOKE COIL 10.3UH		A.....
C-5 NE301	NY7-0928-000		1	NEON LAMP 95V		A.....
C-5 C923	NY7-0929-000		1	ALUMINUM CAP. 220UF 25V		A.....
C-5 TH901	NY7-0930-000		1	THERMISTOR		A.....
C-4 1	NY7-0931-000		1	CRT ASSEMBLY	*	ABCDEFGHIJKLMNOPQR.....
C-4 2	NY7-0932-000		1	DEFLECTION YOK	*	ABCDEFGHIJKLMNOPQR.....
C-4 3	NY7-0933-000		1	CRT/POWER PCB UNIT ()	*	ABCDEFGHIJKLMNOPQR.....
C-4 4	NY7-0934-000		1	SWITCH/RECEPTACLE ASSEMBLY	*	ABCDEFGHIJKLMNOPQR.....
C-4 5	NY7-0935-000		1	BRIGHT VOLUME ASSEMBLY	*	ABCDEFGHIJKLMNOPQR.....
C-4 6	NY7-0936-000		1	CABLE ASSEMBLY	*	ABCDEFGHIJKLMNOPQR.....
C-4 7	NY7-0937-000		1	HOLDING PLATE(RIGHT), CRT	*	ABCDEFGHIJKLMNOPQR.....
C-4 8	NY7-0938-000		1	HOLDING PLATE(LEFT), CRT	*	ABCDEFGHIJKLMNOPQR.....
C-4 9	NY7-0939-000		1	SIDE PLATE(RIGHT), CRT	*	ABCDEFGHIJKLMNOPQR.....
C-4 10	NY7-0940-000		1	SIDE PLATE(LEFT), CRT	*	ABCDEFGHIJKLMNOPQR.....
C-4 11	NY7-0941-000		1	SHIELD PLATE, CRT	*	ABCDEFGHIJKLMNOPQR.....
C-4 12	NY7-0942-000		1	PCB SUPPORTER ASSEMBLY	*	ABCDEFGHIJKLMNOPQR.....
C-7 1	NY7-4555-000		1	LEVER (6U)	*	ABCDEFGHIJKLMNOPQR.....
C-7 2	NY7-4556-000		1	LEVER (2.25U)	*	ABCDEFGHIJKLMNOPQR.....
C-7 3	NY7-4557-000		6	LEVER (2U)	*	ABCDEFGHIJKLMNOPQR.....
C-7 4	NY7-4558-000		1	LEVER (1.75U)	*	ABCDEFGHIJKLMNOPQR.....
C-7 5	NY7-4559-000		1	SPRING, SPACE KEY	*	ABCDEFGHIJKLMNOPQR.....
C-7 6	NY7-4560-000		19	LEVER HOLDER	*	ABCD.....R.....
C-7 6	NY7-4560-000		17	LEVER HOLDER	*	...EFGHIJKLMNOQ.....
C-7 7	NY7-4561-000		10	SCREW, PH M2.6X6	*	ABCDEFGHIJKLMNOPQR.....
C-7 8	NY7-4562-000		1	KEYBOARD CABLE	*	ABCDEFGHIJKLMNOPQR.....
C-7 9	NY7-4563-000		1	PUSH SWITCH WITH LED	*	ABCDEFGHIJKLMNOPQR.....
C-7 10	NY7-4564-000		58	PUSH SWITCH	*	ABCD.....R.....
C-7 10	NY7-4564-000		60	PUSH SWITCH	*	...EFGHIJKLMNOQ.....
C-7 11	NY7-4565-000		18	HOOK	*	ABCD.....R.....
C-7 11	NY7-4565-000		16	HOOK	*	...EFGHIJKLMNOQ.....
C-7 12	NY7-4566-000		1	GUIDE, SPACE	*	ABCDEFGHIJKLMNOPQR.....
C-8	NY7-4790-000		1	KEYTOP (#505)	*	ABCD...IJK.....R.....
C-9	NY7-4790-000		1	KEYTOP (#505)	*	ABCD...IJK.....R.....
C-13	NY7-4790-000		1	KEYTOP (#505)	*	ABCD...IJK.....R.....
C-14	NY7-4790-000		1	KEYTOP (#505)	*	ABCD...IJK.....R.....
C-15	NY7-4790-000		1	KEYTOP (#505)	*	ABCD...IJK.....R.....
C-22	NY7-4790-000		1	KEYTOP (#505)	*	ABCD...IJK.....R.....
C-10	NY7-4791-000		1	KEYTOP (#506)	*	...EF.....N.....
C-18	NY7-4791-000		1	KEYTOP (#506)	*	...EF.....N.....
C-11	NY7-4792-000		1	KEYTOP (#507)	*	...GH.....

F. NUMERICAL INDEX
 [COUNTRY CODE AS SHOWN BELOW]

COUNTRY CODE:

A: USA/CANADA E: LATIN(115V) I: SWEDEN/FINLAND M: FRANCE Q: S.AFRICA
 B: ASIA F: LATIN(230V) J: NETHERLANDS N: U.K. R: JAPAN
 C: OCEANIA G: NORWAY K: W.GERMANY O: SPAIN
 D: QUEBEC H: DENMARK L: SWITZERLAND P: ITALY

FIGURE & KEY NO.	PART NUMBER	RANK	Q'TY	DESCRIPTION	REMARKS	COUNTRY CODE
						ABCDEFGHIJKLMNOPQR.....
C-12	NY7-4792-000		1	KEYTOP (#507)	*GH.....
C-16	NY7-4793-000		1	KEYTOP (#508)	*L.....Q.....
C-21	NY7-4793-000		1	KEYTOP (#508)	*Q.....
C-17	NY7-4794-000		1	KEYTOP (#509)	*M.....
C-19	NY7-4795-000		1	KEYTOP (#510)	*O.....
C-20	NY7-4796-000		1	KEYTOP (#511)	*P.....
C-8	NY7-4797-000		1	KEYTOP (#512)	*	ABC.....R.....
C-22	NY7-4797-000		1	KEYTOP (#512)	*	ABC.....R.....
C-9	NY7-4798-000		1	KEYTOP (#513)	*	...DEFGHIJKL.NO.Q.....
C-10	NY7-4798-000		1	KEYTOP (#513)	*	...DEFGHIJKL.NO.Q.....
C-11	NY7-4798-000		1	KEYTOP (#513)	*	...DEFGHIJKL.NO.Q.....
C-12	NY7-4798-000		1	KEYTOP (#513)	*	...DEFGHIJKL.NO.Q.....
C-13	NY7-4798-000		1	KEYTOP (#513)	*	...DEFGHIJKL.NO.Q.....
C-14	NY7-4798-000		1	KEYTOP (#513)	*	...DEFGHIJKL.NO.Q.....
C-15	NY7-4798-000		1	KEYTOP (#513)	*	...DEFGHIJKL.NO.Q.....
C-16	NY7-4798-000		1	KEYTOP (#513)	*	...DEFGHIJKL.NO.Q.....
C-18	NY7-4798-000		1	KEYTOP (#513)	*	...DEFGHIJKL.NO.Q.....
C-19	NY7-4798-000		1	KEYTOP (#513)	*	...DEFGHIJKL.NO.Q.....
C-21	NY7-4798-000		1	KEYTOP (#513)	*	...DEFGHIJKL.NO.Q.....
C-17	NY7-4799-000		1	KEYTOP (#514)	*M..P.....
C-20	NY7-4799-000		1	KEYTOP (#514)	*M..P.....
C-8	NY7-4800-000		1	KEYTOP (#515)	*	ABCDEF.....R.....
C-9	NY7-4800-000		1	KEYTOP (#515)	*	ABCDEF.....R.....
C-10	NY7-4800-000		1	KEYTOP (#515)	*	ABCDEF.....R.....
C-22	NY7-4800-000		1	KEYTOP (#515)	*	ABCDEF.....R.....
C-11	NY7-4801-000		1	KEYTOP (#516)	*GHIJ.....
C-12	NY7-4801-000		1	KEYTOP (#516)	*GHIJ.....
C-13	NY7-4801-000		1	KEYTOP (#516)	*GHIJ.....
C-14	NY7-4801-000		1	KEYTOP (#516)	*GHIJ.....
C-15	NY7-4802-000		1	KEYTOP (#517)	*K.....Q.....
C-21	NY7-4802-000		1	KEYTOP (#517)	*K.....Q.....
C-16	NY7-4803-000		1	KEYTOP (#518)	*L.....
C-17	NY7-4804-000		1	KEYTOP (#519)	*M..P.....
C-20	NY7-4804-000		1	KEYTOP (#519)	*M..P.....
C-18	NY7-4805-000		1	KEYTOP (#520)	*NO.....
C-19	NY7-4805-000		1	KEYTOP (#520)	*NO.....
C-8	NY7-4806-000		1	KEYTOP (#521)	*	ABCDEFGHIJKL.....R.....
C-9	NY7-4806-000		1	KEYTOP (#521)	*	ABCDEFGHIJKL.....R.....
C-10	NY7-4806-000		1	KEYTOP (#521)	*	ABCDEFGHIJKL.....R.....
C-11	NY7-4806-000		1	KEYTOP (#521)	*	ABCDEFGHIJKL.....R.....
C-12	NY7-4806-000		1	KEYTOP (#521)	*	ABCDEFGHIJKL.....R.....
C-13	NY7-4806-000		1	KEYTOP (#521)	*	ABCDEFGHIJKL.....R.....
C-14	NY7-4806-000		1	KEYTOP (#521)	*	ABCDEFGHIJKL.....R.....
C-15	NY7-4806-000		1	KEYTOP (#521)	*	ABCDEFGHIJKL.....R.....
C-22	NY7-4806-000		1	KEYTOP (#521)	*	ABCDEFGHIJKL.....R.....
C-16	NY7-4807-000		1	KEYTOP (#522)	*L.....
C-17	NY7-4808-000		1	KEYTOP (#523)	*M..P.....
C-20	NY7-4808-000		1	KEYTOP (#523)	*M..P.....
C-18	NY7-4809-000		1	KEYTOP (#524)	*N.....Q.....
C-21	NY7-4809-000		1	KEYTOP (#524)	*N.....Q.....
C-19	NY7-4810-000		1	KEYTOP (#525)	*O.....
C-8	NY7-4811-000		1	KEYTOP (#526)	*	ABCDEFGHIJKL.....QR.....
C-9	NY7-4811-000		1	KEYTOP (#526)	*	ABCDEFGHIJKL.....QR.....
C-10	NY7-4811-000		1	KEYTOP (#526)	*	ABCDEFGHIJKL.....QR.....
C-11	NY7-4811-000		1	KEYTOP (#526)	*	ABCDEFGHIJKL.....QR.....

F. NUMERICAL INDEX
 [COUNTRY CODE AS SHOWN BELOW]

COUNTRY CODE:

A: USA/CANADA E: LATIN(115V) I: SWEDEN/FINLAND M: FRANCE Q: S.AFRICA
 B: ASIA F: LATIN(230V) J: NETHERLANDS N: U.K. R: JAPAN
 C: OCEANIA G: NORWAY K: W.GERMANY O: SPAIN
 D: QUEBEC H: DENMARK L: SWITZERLAND P: ITALY

FIGURE & KEY NO.	PART NUMBER	RANK	Q'TY	DESCRIPTION	REMARKS	COUNTRY CODE ABCDEFGHIJKLMNOPQR.....
C-12	NY7-4811-000		1	KEYTOP (#526)	*	ABCDEFGHIJKL...QR.....
C-13	NY7-4811-000		1	KEYTOP (#526)	*	ABCDEFGHIJKL...QR.....
C-14	NY7-4811-000		1	KEYTOP (#526)	*	ABCDEFGHIJKL...QR.....
C-15	NY7-4811-000		1	KEYTOP (#526)	*	ABCDEFGHIJKL...QR.....
C-16	NY7-4811-000		1	KEYTOP (#526)	*	ABCDEFGHIJKL...QR.....
C-21	NY7-4811-000		1	KEYTOP (#526)	*	ABCDEFGHIJKL...QR.....
C-22	NY7-4811-000		1	KEYTOP (#526)	*	ABCDEFGHIJKL...QR.....
C-17	NY7-4812-000		1	KEYTOP (#527)	*M..P.....
C-20	NY7-4812-000		1	KEYTOP (#527)	*M..P.....
C-18	NY7-4813-000		1	KEYTOP (#528)	*N.....
C-19	NY7-4814-000		1	KEYTOP (#529)	*O.....
C-8	NY7-4815-000		1	KEYTOP (#530)	*	ABCD.....
C-9	NY7-4815-000		1	KEYTOP (#530)	*	ABCD.....
C-10	NY7-4816-000		1	KEYTOP (#531)	*EF.....N.....
C-18	NY7-4816-000		1	KEYTOP (#531)	*EF.....N.....
C-11	NY7-4817-000		1	KEYTOP (#532)	*GHIJKL...O.Q.....
C-12	NY7-4817-000		1	KEYTOP (#532)	*GHIJKL...O.Q.....
C-13	NY7-4817-000		1	KEYTOP (#532)	*GHIJKL...O.Q.....
C-14	NY7-4817-000		1	KEYTOP (#532)	*GHIJKL...O.Q.....
C-15	NY7-4817-000		1	KEYTOP (#532)	*GHIJKL...O.Q.....
C-16	NY7-4817-000		1	KEYTOP (#532)	*GHIJKL...O.Q.....
C-19	NY7-4817-000		1	KEYTOP (#532)	*GHIJKL...O.Q.....
C-21	NY7-4817-000		1	KEYTOP (#532)	*GHIJKL...O.Q.....
C-17	NY7-4818-000		1	KEYTOP (#533)	*M.....
C-20	NY7-4819-000		1	KEYTOP (#534)	*P.....
C-22	NY7-4820-000		1	KEYTOP (#535)	*R.....
C-8	NY7-4821-000		1	KEYTOP (#536)	*	ABCDEF.....N...R.....
C-9	NY7-4821-000		1	KEYTOP (#536)	*	ABCDEF.....N...R.....
C-10	NY7-4821-000		1	KEYTOP (#536)	*	ABCDEF.....N...R.....
C-18	NY7-4821-000		1	KEYTOP (#536)	*	ABCDEF.....N...R.....
C-22	NY7-4821-000		1	KEYTOP (#536)	*	ABCDEF.....N...R.....
C-11	NY7-4822-000		1	KEYTOP (#537)	*GHIJKL.....
C-12	NY7-4822-000		1	KEYTOP (#537)	*GHIJKL.....
C-13	NY7-4822-000		1	KEYTOP (#537)	*GHIJKL.....
C-14	NY7-4822-000		1	KEYTOP (#537)	*GHIJKL.....
C-15	NY7-4822-000		1	KEYTOP (#537)	*GHIJKL.....
C-16	NY7-4822-000		1	KEYTOP (#537)	*GHIJKL.....
C-17	NY7-4823-000		1	KEYTOP (#538)	*M..P.....
C-20	NY7-4823-000		1	KEYTOP (#538)	*M..P.....
C-19	NY7-4824-000		1	KEYTOP (#539)	*O.....
C-21	NY7-4825-000		1	KEYTOP (#540)	*Q.....
C-8	NY7-4826-000		1	KEYTOP (#541)	*	ABCD.....
C-9	NY7-4826-000		1	KEYTOP (#541)	*	ABCD.....
C-10	NY7-4827-000		1	KEYTOP (#542)	*EF.....N.....
C-18	NY7-4827-000		1	KEYTOP (#542)	*EF.....N.....
C-11	NY7-4828-000		1	KEYTOP (#543)	*GHIJKL...Q.....
C-12	NY7-4828-000		1	KEYTOP (#543)	*GHIJKL...Q.....
C-13	NY7-4828-000		1	KEYTOP (#543)	*GHIJKL...Q.....
C-14	NY7-4828-000		1	KEYTOP (#543)	*GHIJKL...Q.....
C-15	NY7-4828-000		1	KEYTOP (#543)	*GHIJKL...Q.....
C-16	NY7-4828-000		1	KEYTOP (#543)	*GHIJKL...Q.....
C-21	NY7-4828-000		1	KEYTOP (#543)	*GHIJKL...Q.....
C-17	NY7-4829-000		1	KEYTOP (#544)	*M.....
C-19	NY7-4830-000		1	KEYTOP (#545)	*O.....
C-20	NY7-4831-000		1	KEYTOP (#546)	*P.....

Jef Raskin Document # 062 -- Canon Cat Computer Repair Manual

F. NUMERICAL INDEX
[COUNTRY CODE AS SHOWN BELOW]

COUNTRY CODE:

A: USA/CANADA E: LATIN(115V) I: SWEDEN/FINLAND M: FRANCE Q: S.AFRICA
B: ASIA F: LATIN(230V) J: NETHERLANDS N: U.K. R: JAPAN
C: OCEANIA G: NORWAY K: W.GERMANY O: SPAIN
D: QUEBEC H: DENMARK L: SWITZERLAND P: ITALY

FIGURE & KEY NO.	PART NUMBER	RANK	Q'TY	DESCRIPTION	REMARKS	COUNTRY CODE
						ABCDEFGHIJKLMNOPQR.....
C-22	NY7-4832-000		1	KEYTOP (#547)	*R.....
C-8	NY7-4833-000		1	KEYTOP (#548)	*	ABCDEF.....N...R.....
C-9	NY7-4833-000		1	KEYTOP (#548)	*	ABCDEF.....N...R.....
C-10	NY7-4833-000		1	KEYTOP (#548)	*	ABCDEF.....N...R.....
C-18	NY7-4833-000		1	KEYTOP (#548)	*	ABCDEF.....N...R.....
C-22	NY7-4833-000		1	KEYTOP (#548)	*	ABCDEF.....N...R.....
C-11	NY7-4834-000		1	KEYTOP (#549)	*GHIJKL...Q.....
C-12	NY7-4834-000		1	KEYTOP (#549)	*GHIJKL...Q.....
C-13	NY7-4834-000		1	KEYTOP (#549)	*GHIJKL...Q.....
C-14	NY7-4834-000		1	KEYTOP (#549)	*GHIJKL...Q.....
C-15	NY7-4834-000		1	KEYTOP (#549)	*GHIJKL...Q.....
C-16	NY7-4834-000		1	KEYTOP (#549)	*GHIJKL...Q.....
C-21	NY7-4834-000		1	KEYTOP (#549)	*GHIJKL...Q.....
C-17	NY7-4835-000		1	KEYTOP (#550)	*M...P.....
C-20	NY7-4835-000		1	KEYTOP (#550)	*M...P.....
C-19	NY7-4836-000		1	KEYTOP (#551)	*O.....
C-8	NY7-4837-000		1	KEYTOP (#552)	*	ABCDEF.....N...R.....
C-9	NY7-4837-000		1	KEYTOP (#552)	*	ABCDEF.....N...R.....
C-10	NY7-4837-000		1	KEYTOP (#552)	*	ABCDEF.....N...R.....
C-18	NY7-4837-000		1	KEYTOP (#552)	*	ABCDEF.....N...R.....
C-22	NY7-4837-000		1	KEYTOP (#552)	*	ABCDEF.....N...R.....
C-11	NY7-4838-000		1	KEYTOP (#553)	*GHIJKL...O.Q.....
C-12	NY7-4838-000		1	KEYTOP (#553)	*GHIJKL...O.Q.....
C-13	NY7-4838-000		1	KEYTOP (#553)	*GHIJKL...O.Q.....
C-14	NY7-4838-000		1	KEYTOP (#553)	*GHIJKL...O.Q.....
C-15	NY7-4838-000		1	KEYTOP (#553)	*GHIJKL...O.Q.....
C-16	NY7-4838-000		1	KEYTOP (#553)	*GHIJKL...O.Q.....
C-19	NY7-4838-000		1	KEYTOP (#553)	*GHIJKL...O.Q.....
C-21	NY7-4838-000		1	KEYTOP (#553)	*GHIJKL...O.Q.....
C-17	NY7-4839-000		1	KEYTOP (#554)	*M...P.....
C-20	NY7-4839-000		1	KEYTOP (#554)	*M...P.....
C-8	NY7-4840-000		1	KEYTOP (#555)	*	ABC.....
C-9	NY7-4841-000		1	KEYTOP (#556)	*	...D.....
C-10	NY7-4842-000		1	KEYTOP (#557)	*	...EF.....
C-11	NY7-4843-000		1	KEYTOP (#558)	*GH...J.....
C-12	NY7-4843-000		1	KEYTOP (#558)	*GH...J.....
C-14	NY7-4843-000		1	KEYTOP (#558)	*GH...J.....
C-13	NY7-4844-000		1	KEYTOP (#559)	*I.....
C-15	NY7-4845-000		1	KEYTOP (#561)	*K.....
C-16	NY7-4846-000		1	KEYTOP (#562)	*L.....
C-17	NY7-4847-000		1	KEYTOP (#563)	*M.....
C-18	NY7-4848-000		1	KEYTOP (#564)	*N.....
C-19	NY7-4849-000		1	KEYTOP (#565)	*O.....
C-20	NY7-4850-000		1	KEYTOP (#566)	*P.....
C-21	NY7-4851-000		1	KEYTOP (#567)	*Q.....
C-22	NY7-4852-000		1	KEYTOP (#568)	*R.....
C-8	NY7-4853-000		1	KEYTOP (#569)	*	ABC.....R.....
C-22	NY7-4853-000		1	KEYTOP (#569)	*	ABC.....R.....
C-9	NY7-4854-000		1	KEYTOP (#570)	*	...D.....
C-17	NY7-4855-000		1	KEYTOP (#571)	*M.....
C-10	NY7-4856-000		1	KEYTOP (#572)	*	...EF.....
C-11	NY7-4857-000		1	KEYTOP (#573)	*GHI.....
C-12	NY7-4857-000		1	KEYTOP (#573)	*GHI.....
C-13	NY7-4857-000		1	KEYTOP (#573)	*GHI.....
C-15	NY7-4858-000		1	KEYTOP (#574)	*K.....

F. NUMERICAL INDEX
 [COUNTRY CODE AS SHOWN BELOW]

COUNTRY CODE:

A: USA/CANADA E: LATIN(115V) I: SWEDEN/FINLAND M: FRANCE Q: S.AFRICA
 B: ASIA F: LATIN(230V) J: NETHERLANDS N: U.K. R: JAPAN
 C: OCEANIA G: NORWAY K: W.GERMANY O: SPAIN
 D: QUEBEC H: DENMARK L: SWITZERLAND P: ITALY

FIGURE & KEY NO.	PART NUMBER	RANK	Q'TY	DESCRIPTION	REMARKS	COUNTRY CODE
						ABCDEFGHIJKLMNOPQR.....
C-14	NY7-4859-000		1	KEYTOP (#575)	*J.....
C-16	NY7-4860-000		1	KEYTOP (#576)	*L.....
C-17	NY7-4861-000		1	KEYTOP (#577)	*M.P.....
C-20	NY7-4861-000		1	KEYTOP (#577)	*M.P.....
C-18	NY7-4862-000		1	KEYTOP (#578)	*N.....
C-19	NY7-4863-000		1	KEYTOP (#579)	*O.....
C-21	NY7-4864-000		1	KEYTOP (#580)	*Q.....
C-8	NY7-4865-000		1	KEYTOP (#581)	*	ABC.....N.....
C-18	NY7-4865-000		1	KEYTOP (#581)	*	ABC.....N.....
C-10	NY7-4866-000		1	KEYTOP (#582)	*	...EF.....
C-9	NY7-4867-000		1	KEYTOP (#583)	*	...D.....
C-11	NY7-4868-000		1	KEYTOP (#584)	*	...GHI.....Q.....
C-12	NY7-4868-000		1	KEYTOP (#584)	*	...GHI.....Q.....
C-13	NY7-4868-000		1	KEYTOP (#584)	*	...GHI.....Q.....
C-21	NY7-4868-000		1	KEYTOP (#584)	*	...GHI.....Q.....
C-15	NY7-4869-000		1	KEYTOP (#585)	*K.....
C-14	NY7-4870-000		1	KEYTOP (#586)	*J.....
C-16	NY7-4871-000		1	KEYTOP (#587)	*L.....
C-19	NY7-4872-000		1	KEYTOP (#588)	*O.....
C-20	NY7-4873-000		1	KEYTOP (#589)	*P.....
C-22	NY7-4874-000		1	KEYTOP (#590)	*R.....
C-8	NY7-4875-000		1	KEYTOP R	*	ABCDEFGHIJKLMNOPQR.....
C-9	NY7-4875-000		1	KEYTOP R	*	ABCDEFGHIJKLMNOPQR.....
C-10	NY7-4875-000		1	KEYTOP R	*	ABCDEFGHIJKLMNOPQR.....
C-11	NY7-4875-000		1	KEYTOP R	*	ABCDEFGHIJKLMNOPQR.....
C-12	NY7-4875-000		1	KEYTOP R	*	ABCDEFGHIJKLMNOPQR.....
C-13	NY7-4875-000		1	KEYTOP R	*	ABCDEFGHIJKLMNOPQR.....
C-14	NY7-4875-000		1	KEYTOP R	*	ABCDEFGHIJKLMNOPQR.....
C-15	NY7-4875-000		1	KEYTOP R	*	ABCDEFGHIJKLMNOPQR.....
C-16	NY7-4875-000		1	KEYTOP R	*	ABCDEFGHIJKLMNOPQR.....
C-17	NY7-4875-000		1	KEYTOP R	*	ABCDEFGHIJKLMNOPQR.....
C-18	NY7-4875-000		1	KEYTOP R	*	ABCDEFGHIJKLMNOPQR.....
C-19	NY7-4875-000		1	KEYTOP R	*	ABCDEFGHIJKLMNOPQR.....
C-20	NY7-4875-000		1	KEYTOP R	*	ABCDEFGHIJKLMNOPQR.....
C-21	NY7-4875-000		1	KEYTOP R	*	ABCDEFGHIJKLMNOPQR.....
C-22	NY7-4875-000		1	KEYTOP R	*	ABCDEFGHIJKLMNOPQR.....
C-8	NY7-4876-000		1	KEYTOP Y	*	ABCDEFGHIJ..MNOPQR.....
C-9	NY7-4876-000		1	KEYTOP Y	*	ABCDEFGHIJ..MNOPQR.....
C-10	NY7-4876-000		1	KEYTOP Y	*	ABCDEFGHIJ..MNOPQR.....
C-11	NY7-4876-000		1	KEYTOP Y	*	ABCDEFGHIJ..MNOPQR.....
C-12	NY7-4876-000		1	KEYTOP Y	*	ABCDEFGHIJ..MNOPQR.....
C-13	NY7-4876-000		1	KEYTOP Y	*	ABCDEFGHIJ..MNOPQR.....
C-14	NY7-4876-000		1	KEYTOP Y	*	ABCDEFGHIJ..MNOPQR.....
C-17	NY7-4876-000		1	KEYTOP Y	*	ABCDEFGHIJ..MNOPQR.....
C-18	NY7-4876-000		1	KEYTOP Y	*	ABCDEFGHIJ..MNOPQR.....
C-19	NY7-4876-000		1	KEYTOP Y	*	ABCDEFGHIJ..MNOPQR.....
C-20	NY7-4876-000		1	KEYTOP Y	*	ABCDEFGHIJ..MNOPQR.....
C-21	NY7-4876-000		1	KEYTOP Y	*	ABCDEFGHIJ..MNOPQR.....
C-22	NY7-4876-000		1	KEYTOP Y	*	ABCDEFGHIJ..MNOPQR.....
C-8	NY7-4877-000		1	KEYTOP I	*	ABCDEFGHIJKLMNOPQR.....
C-9	NY7-4877-000		1	KEYTOP I	*	ABCDEFGHIJKLMNOPQR.....
C-10	NY7-4877-000		1	KEYTOP I	*	ABCDEFGHIJKLMNOPQR.....
C-11	NY7-4877-000		1	KEYTOP I	*	ABCDEFGHIJKLMNOPQR.....
C-12	NY7-4877-000		1	KEYTOP I	*	ABCDEFGHIJKLMNOPQR.....
C-13	NY7-4877-000		1	KEYTOP I	*	ABCDEFGHIJKLMNOPQR.....

F. NUMERICAL INDEX
 [COUNTRY CODE AS SHOWN BELOW]

COUNTRY CODE:

A: USA/CANADA E: LATIN(115V) I: SWEDEN/FINLAND M: FRANCE Q: S.AFRICA
 B: ASIA F: LATIN(230V) J: NETHERLANDS N: U.K. R: JAPAN
 C: OCEANIA G: NORWAY K: W.GERMANY O: SPAIN
 D: QUEBEC H: DENMARK L: SWITZERLAND P: ITALY

FIGURE & KEY NO.	PART NUMBER	RANK	Q'TY	DESCRIPTION	REMARKS	COUNTRY CODE
						ABCDEFGHIJKLMNOPQR.....
C-14	NY7-4877-000		1	KEYTOP I	*	ABCDEFGHIJKLMNOPQR.....
C-15	NY7-4877-000		1	KEYTOP I	*	ABCDEFGHIJKLMNOPQR.....
C-16	NY7-4877-000		1	KEYTOP I	*	ABCDEFGHIJKLMNOPQR.....
C-17	NY7-4877-000		1	KEYTOP I	*	ABCDEFGHIJKLMNOPQR.....
C-18	NY7-4877-000		1	KEYTOP I	*	ABCDEFGHIJKLMNOPQR.....
C-19	NY7-4877-000		1	KEYTOP I	*	ABCDEFGHIJKLMNOPQR.....
C-20	NY7-4877-000		1	KEYTOP I	*	ABCDEFGHIJKLMNOPQR.....
C-21	NY7-4877-000		1	KEYTOP I	*	ABCDEFGHIJKLMNOPQR.....
C-22	NY7-4877-000		1	KEYTOP I	*	ABCDEFGHIJKLMNOPQR.....
C-10	NY7-4878-000		1	KEYTOP O	*	...EFGHIJ.L..OPQ.....
C-11	NY7-4878-000		1	KEYTOP O	*	...EFGHIJ.L..OPQ.....
C-12	NY7-4878-000		1	KEYTOP O	*	...EFGHIJ.L..OPQ.....
C-13	NY7-4878-000		1	KEYTOP O	*	...EFGHIJ.L..OPQ.....
C-14	NY7-4878-000		1	KEYTOP O	*	...EFGHIJ.L..OPQ.....
C-16	NY7-4878-000		1	KEYTOP O	*	...EFGHIJ.L..OPQ.....
C-19	NY7-4878-000		1	KEYTOP O	*	...EFGHIJ.L..OPQ.....
C-20	NY7-4878-000		1	KEYTOP O	*	...EFGHIJ.L..OPQ.....
C-21	NY7-4878-000		1	KEYTOP O	*	...EFGHIJ.L..OPQ.....
C-8	NY7-4879-000		1	KEYTOP P	*	ABCDEFGHIJKLMNOPQR.....
C-9	NY7-4879-000		1	KEYTOP P	*	ABCDEFGHIJKLMNOPQR.....
C-10	NY7-4879-000		1	KEYTOP P	*	ABCDEFGHIJKLMNOPQR.....
C-11	NY7-4879-000		1	KEYTOP P	*	ABCDEFGHIJKLMNOPQR.....
C-12	NY7-4879-000		1	KEYTOP P	*	ABCDEFGHIJKLMNOPQR.....
C-13	NY7-4879-000		1	KEYTOP P	*	ABCDEFGHIJKLMNOPQR.....
C-14	NY7-4879-000		1	KEYTOP P	*	ABCDEFGHIJKLMNOPQR.....
C-15	NY7-4879-000		1	KEYTOP P	*	ABCDEFGHIJKLMNOPQR.....
C-16	NY7-4879-000		1	KEYTOP P	*	ABCDEFGHIJKLMNOPQR.....
C-17	NY7-4879-000		1	KEYTOP P	*	ABCDEFGHIJKLMNOPQR.....
C-18	NY7-4879-000		1	KEYTOP P	*	ABCDEFGHIJKLMNOPQR.....
C-19	NY7-4879-000		1	KEYTOP P	*	ABCDEFGHIJKLMNOPQR.....
C-20	NY7-4879-000		1	KEYTOP P	*	ABCDEFGHIJKLMNOPQR.....
C-21	NY7-4879-000		1	KEYTOP P	*	ABCDEFGHIJKLMNOPQR.....
C-22	NY7-4879-000		1	KEYTOP P	*	ABCDEFGHIJKLMNOPQR.....
C-15	NY7-4880-000		1	KEYTOP Z	*KL.....
C-16	NY7-4880-000		1	KEYTOP Z	*KL.....
C-11	NY7-4881-000		1	KEYTOP (#591)	*GH.....
C-12	NY7-4881-000		1	KEYTOP (#591)	*GH.....
C-8	NY7-4882-000		1	KEYTOP (#592)	*	ABC.....
C-9	NY7-4883-000		1	KEYTOP (#593)	*	...D.....
C-10	NY7-4884-000		1	KEYTOP (#594)	*	...EF.....
C-13	NY7-4885-000		1	KEYTOP (#595)	*I.....
C-15	NY7-4886-000		1	KEYTOP (#596)	*K.....
C-14	NY7-4887-000		1	KEYTOP (#597)	*J...O.....
C-19	NY7-4887-000		1	KEYTOP (#597)	*J...O.....
C-16	NY7-4888-000		1	KEYTOP (#598)	*L.....
C-17	NY7-4889-000		1	KEYTOP (#599)	*M.....
C-18	NY7-4890-000		1	KEYTOP (#600)	*N.....
C-20	NY7-4891-000		1	KEYTOP (#601)	*P.....
C-21	NY7-4892-000		1	KEYTOP (#602)	*Q.....
C-22	NY7-4893-000		1	KEYTOP (#603)	*R.....
C-8	NY7-4894-000		1	KEYTOP Q	*	ABC...GHIJ...N..QR.....
C-11	NY7-4894-000		1	KEYTOP Q	*	ABC...GHIJ...N..QR.....
C-12	NY7-4894-000		1	KEYTOP Q	*	ABC...GHIJ...N..QR.....
C-13	NY7-4894-000		1	KEYTOP Q	*	ABC...GHIJ...N..QR.....
C-14	NY7-4894-000		1	KEYTOP Q	*	ABC...GHIJ...N..QR.....

F. NUMERICAL INDEX
[COUNTRY CODE AS SHOWN BELOW]

COUNTRY CODE:

A: USA/CANADA E: LATIN(115V) I: SWEDEN/FINLAND M: FRANCE Q: S.AFRICA
B: ASIA F: LATIN(230V) J: NETHERLANDS N: U.K. R: JAPAN
C: OCEANIA G: NORWAY K: W.GERMANY O: SPAIN
D: QUEBEC H: DENMARK L: SWITZERLAND P: ITALY

FIGURE & KEY NO.	PART NUMBER	RANK	Q'TY	DESCRIPTION	REMARKS	COUNTRY CODE
						ABCDEFGHIJKLMNOPQR.....
C-18	NY7-4894-000		1	KEYTOP Q	*	ABC...GHIJ...N..QR.....
C-21	NY7-4894-000		1	KEYTOP Q	*	ABC...GHIJ...N..QR.....
C-22	NY7-4894-000		1	KEYTOP Q	*	ABC...GHIJ...N..QR.....
C-9	NY7-4895-000		1	KEYTOP Q	*	...DEF...KL..OP.....
C-10	NY7-4895-000		1	KEYTOP Q	*	...DEF...KL..OP.....
C-15	NY7-4895-000		1	KEYTOP Q	*	...DEF...KL..OP.....
C-16	NY7-4895-000		1	KEYTOP Q	*	...DEF...KL..OP.....
C-19	NY7-4895-000		1	KEYTOP Q	*	...DEF...KL..OP.....
C-20	NY7-4895-000		1	KEYTOP Q	*	...DEF...KL..OP.....
C-8	NY7-4896-000		1	KEYTOP W	*	ABC...GHIJ...N..QR.....
C-11	NY7-4896-000		1	KEYTOP W	*	ABC...GHIJ...N..QR.....
C-12	NY7-4896-000		1	KEYTOP W	*	ABC...GHIJ...N..QR.....
C-13	NY7-4896-000		1	KEYTOP W	*	ABC...GHIJ...N..QR.....
C-14	NY7-4896-000		1	KEYTOP W	*	ABC...GHIJ...N..QR.....
C-18	NY7-4896-000		1	KEYTOP W	*	ABC...GHIJ...N..QR.....
C-21	NY7-4896-000		1	KEYTOP W	*	ABC...GHIJ...N..QR.....
C-22	NY7-4896-000		1	KEYTOP W	*	ABC...GHIJ...N..QR.....
C-9	NY7-4897-000		1	KEYTOP W	*	...DEF...KL..O.....
C-10	NY7-4897-000		1	KEYTOP W	*	...DEF...KL..O.....
C-15	NY7-4897-000		1	KEYTOP W	*	...DEF...KL..O.....
C-16	NY7-4897-000		1	KEYTOP W	*	...DEF...KL..O.....
C-19	NY7-4897-000		1	KEYTOP W	*	...DEF...KL..O.....
C-8	NY7-4898-000		1	KEYTOP E	*	ABCDEFGHIJKLMNOPQR.....
C-9	NY7-4898-000		1	KEYTOP E	*	ABCDEFGHIJKLMNOPQR.....
C-10	NY7-4898-000		1	KEYTOP E	*	ABCDEFGHIJKLMNOPQR.....
C-11	NY7-4898-000		1	KEYTOP E	*	ABCDEFGHIJKLMNOPQR.....
C-12	NY7-4898-000		1	KEYTOP E	*	ABCDEFGHIJKLMNOPQR.....
C-13	NY7-4898-000		1	KEYTOP E	*	ABCDEFGHIJKLMNOPQR.....
C-14	NY7-4898-000		1	KEYTOP E	*	ABCDEFGHIJKLMNOPQR.....
C-15	NY7-4898-000		1	KEYTOP E	*	ABCDEFGHIJKLMNOPQR.....
C-16	NY7-4898-000		1	KEYTOP E	*	ABCDEFGHIJKLMNOPQR.....
C-17	NY7-4898-000		1	KEYTOP E	*	ABCDEFGHIJKLMNOPQR.....
C-18	NY7-4898-000		1	KEYTOP E	*	ABCDEFGHIJKLMNOPQR.....
C-19	NY7-4898-000		1	KEYTOP E	*	ABCDEFGHIJKLMNOPQR.....
C-20	NY7-4898-000		1	KEYTOP E	*	ABCDEFGHIJKLMNOPQR.....
C-21	NY7-4898-000		1	KEYTOP E	*	ABCDEFGHIJKLMNOPQR.....
C-22	NY7-4898-000		1	KEYTOP E	*	ABCDEFGHIJKLMNOPQR.....
C-8	NY7-4899-000		1	KEYTOP T	*	ABC...GHIJ...N..QR.....
C-11	NY7-4899-000		1	KEYTOP T	*	ABC...GHIJ...N..QR.....
C-12	NY7-4899-000		1	KEYTOP T	*	ABC...GHIJ...N..QR.....
C-13	NY7-4899-000		1	KEYTOP T	*	ABC...GHIJ...N..QR.....
C-14	NY7-4899-000		1	KEYTOP T	*	ABC...GHIJ...N..QR.....
C-18	NY7-4899-000		1	KEYTOP T	*	ABC...GHIJ...N..QR.....
C-21	NY7-4899-000		1	KEYTOP T	*	ABC...GHIJ...N..QR.....
C-22	NY7-4899-000		1	KEYTOP T	*	ABC...GHIJ...N..QR.....
C-9	NY7-4900-000		1	KEYTOP T	*	...DEF...KLM.OP.....
C-10	NY7-4900-000		1	KEYTOP T	*	...DEF...KLM.OP.....
C-15	NY7-4900-000		1	KEYTOP T	*	...DEF...KLM.OP.....
C-16	NY7-4900-000		1	KEYTOP T	*	...DEF...KLM.OP.....
C-17	NY7-4900-000		1	KEYTOP T	*	...DEF...KLM.OP.....
C-19	NY7-4900-000		1	KEYTOP T	*	...DEF...KLM.OP.....
C-20	NY7-4900-000		1	KEYTOP T	*	...DEF...KLM.OP.....
C-8	NY7-4901-000		1	KEYTOP U	*	ABCD..GHIJ...N..QR.....
C-11	NY7-4901-000		1	KEYTOP U	*	ABCD..GHIJ...N..QR.....
C-12	NY7-4901-000		1	KEYTOP U	*	ABCD..GHIJ...N..QR.....

F. NUMERICAL INDEX
[COUNTRY CODE AS SHOWN BELOW]

COUNTRY CODE:

A: USA/CANADA E: LATIN(115V) I: SWEDEN/FINLAND M: FRANCE Q: S.AFRICA
 B: ASIA F: LATIN(230V) J: NETHERLANDS N: U.K. R: JAPAN
 C: OCEANIA G: NORWAY K: W.GERMANY O: SPAIN
 D: QUEBEC H: DENMARK L: SWITZERLAND P: ITALY

FIGURE & KEY NO.	PART NUMBER	RANK	Q'TY	DESCRIPTION	REMARKS	COUNTRY CODE
						ABCDEFGHIJKLMNOPQR.....
C-13	NY7-4901-000		1	KEYTOP U	*	ABCD..GHIJ...N..QR.....
C-14	NY7-4901-000		1	KEYTOP U	*	ABCD..GHIJ...N..QR.....
C-18	NY7-4901-000		1	KEYTOP U	*	ABCD..GHIJ...N..QR.....
C-21	NY7-4901-000		1	KEYTOP U	*	ABCD..GHIJ...N..QR.....
C-22	NY7-4901-000		1	KEYTOP U	*	ABCD..GHIJ...N..QR.....
C-9	NY7-4902-000		1	KEYTOP U	*	...DEF...KLM.OP.....
C-10	NY7-4902-000		1	KEYTOP U	*	...DEF...KLM.OP.....
C-15	NY7-4902-000		1	KEYTOP U	*	...DEF...KLM.OP.....
C-16	NY7-4902-000		1	KEYTOP U	*	...DEF...KLM.OP.....
C-17	NY7-4902-000		1	KEYTOP U	*	...DEF...KLM.OP.....
C-19	NY7-4902-000		1	KEYTOP U	*	...DEF...KLM.OP.....
C-20	NY7-4902-000		1	KEYTOP U	*	...DEF...KLM.OP.....
C-8	NY7-4903-000		1	KEYTOP O	*	ABC.....N...R.....
C-18	NY7-4903-000		1	KEYTOP O	*	ABC.....N...R.....
C-22	NY7-4903-000		1	KEYTOP O	*	ABC.....N...R.....
C-9	NY7-4904-000		1	KEYTOP O	*	...D.....K.M.....
C-15	NY7-4904-000		1	KEYTOP O	*	...D.....K.M.....
C-17	NY7-4904-000		1	KEYTOP O	*	...D.....K.M.....
C-17	NY7-4905-000		1	KEYTOP Z	*M..P.....
C-20	NY7-4905-000		1	KEYTOP Z	*M..P.....
C-17	NY7-4906-000		1	KEYTOP A	*M.....
C-8	NY7-4907-000		1	KEYTOP (#604)	*	ABC.....
C-9	NY7-4908-000		1	KEYTOP (#605)	*	...D.....
C-10	NY7-4909-000		1	KEYTOP (#606)	*	...EF.....
C-11	NY7-4910-000		1	KEYTOP (#607)	*GHI.....
C-12	NY7-4910-000		1	KEYTOP (#607)	*GHI.....
C-13	NY7-4910-000		1	KEYTOP (#607)	*GHI.....
C-15	NY7-4911-000		1	KEYTOP (#608)	*K.....
C-14	NY7-4912-000		1	KEYTOP (#609)	*J.....
C-16	NY7-4913-000		1	KEYTOP (#610)	*L.....
C-17	NY7-4914-000		1	KEYTOP (#611)	*M.....
C-18	NY7-4915-000		1	KEYTOP (#612)	*N.....
C-19	NY7-4916-000		1	KEYTOP (#613)	*O.....
C-20	NY7-4917-000		1	KEYTOP (#614)	*P.....
C-21	NY7-4918-000		1	KEYTOP (#615)	*Q.....
C-22	NY7-4919-000		1	KEYTOP (#616)	*R.....
C-8	NY7-4920-000		1	KEYTOP S	*	ABCDEFGHIJKLMNOPQR.....
C-9	NY7-4920-000		1	KEYTOP S	*	ABCDEFGHIJKLMNOPQR.....
C-10	NY7-4920-000		1	KEYTOP S	*	ABCDEFGHIJKLMNOPQR.....
C-11	NY7-4920-000		1	KEYTOP S	*	ABCDEFGHIJKLMNOPQR.....
C-12	NY7-4920-000		1	KEYTOP S	*	ABCDEFGHIJKLMNOPQR.....
C-13	NY7-4920-000		1	KEYTOP S	*	ABCDEFGHIJKLMNOPQR.....
C-14	NY7-4920-000		1	KEYTOP S	*	ABCDEFGHIJKLMNOPQR.....
C-15	NY7-4920-000		1	KEYTOP S	*	ABCDEFGHIJKLMNOPQR.....
C-16	NY7-4920-000		1	KEYTOP S	*	ABCDEFGHIJKLMNOPQR.....
C-17	NY7-4920-000		1	KEYTOP S	*	ABCDEFGHIJKLMNOPQR.....
C-18	NY7-4920-000		1	KEYTOP S	*	ABCDEFGHIJKLMNOPQR.....
C-19	NY7-4920-000		1	KEYTOP S	*	ABCDEFGHIJKLMNOPQR.....
C-20	NY7-4920-000		1	KEYTOP S	*	ABCDEFGHIJKLMNOPQR.....
C-21	NY7-4920-000		1	KEYTOP S	*	ABCDEFGHIJKLMNOPQR.....
C-22	NY7-4920-000		1	KEYTOP S	*	ABCDEFGHIJKLMNOPQR.....
C-8	NY7-4921-000		1	KEYTOP F	*	ABCDEFGHIJKLMNOPQR.....
C-9	NY7-4921-000		1	KEYTOP F	*	ABCDEFGHIJKLMNOPQR.....
C-10	NY7-4921-000		1	KEYTOP F	*	ABCDEFGHIJKLMNOPQR.....
C-11	NY7-4921-000		1	KEYTOP F	*	ABCDEFGHIJKLMNOPQR.....

F. NUMERICAL INDEX
 [COUNTRY CODE AS SHOWN BELOW]

COUNTRY CODE:

A: USA/CANADA E: LATIN(115V) I: SWEDEN/FINLAND M: FRANCE Q: S.AFRICA
 B: ASIA F: LATIN(230V) J: NETHERLANDS N: U.K. R: JAPAN
 C: OCEANIA G: NORWAY K: W.GERMANY O: SPAIN
 D: QUEBEC H: DENMARK L: SWITZERLAND P: ITALY

FIGURE & KEY NO.	PART NUMBER	RANK	Q'TY	DESCRIPTION	REMARKS	COUNTRY CODE
						ABCDEFGHIJKLMNOPQR.....
C-12	NY7-4921-000		1	KEYTOP F	*	ABCDEFGHIJKLMNOPQR.....
C-13	NY7-4921-000		1	KEYTOP F	*	ABCDEFGHIJKLMNOPQR.....
C-14	NY7-4921-000		1	KEYTOP F	*	ABCDEFGHIJKLMNOPQR.....
C-15	NY7-4921-000		1	KEYTOP F	*	ABCDEFGHIJKLMNOPQR.....
C-16	NY7-4921-000		1	KEYTOP F	*	ABCDEFGHIJKLMNOPQR.....
C-17	NY7-4921-000		1	KEYTOP F	*	ABCDEFGHIJKLMNOPQR.....
C-18	NY7-4921-000		1	KEYTOP F	*	ABCDEFGHIJKLMNOPQR.....
C-19	NY7-4921-000		1	KEYTOP F	*	ABCDEFGHIJKLMNOPQR.....
C-20	NY7-4921-000		1	KEYTOP F	*	ABCDEFGHIJKLMNOPQR.....
C-21	NY7-4921-000		1	KEYTOP F	*	ABCDEFGHIJKLMNOPQR.....
C-22	NY7-4921-000		1	KEYTOP F	*	ABCDEFGHIJKLMNOPQR.....
C-8	NY7-4922-000		1	KEYTOP H	*	ABCDEFGHIJKLMNOPQR.....
C-9	NY7-4922-000		1	KEYTOP H	*	ABCDEFGHIJKLMNOPQR.....
C-10	NY7-4922-000		1	KEYTOP H	*	ABCDEFGHIJKLMNOPQR.....
C-11	NY7-4922-000		1	KEYTOP H	*	ABCDEFGHIJKLMNOPQR.....
C-12	NY7-4922-000		1	KEYTOP H	*	ABCDEFGHIJKLMNOPQR.....
C-13	NY7-4922-000		1	KEYTOP H	*	ABCDEFGHIJKLMNOPQR.....
C-14	NY7-4922-000		1	KEYTOP H	*	ABCDEFGHIJKLMNOPQR.....
C-15	NY7-4922-000		1	KEYTOP H	*	ABCDEFGHIJKLMNOPQR.....
C-16	NY7-4922-000		1	KEYTOP H	*	ABCDEFGHIJKLMNOPQR.....
C-17	NY7-4922-000		1	KEYTOP H	*	ABCDEFGHIJKLMNOPQR.....
C-18	NY7-4922-000		1	KEYTOP H	*	ABCDEFGHIJKLMNOPQR.....
C-19	NY7-4922-000		1	KEYTOP H	*	ABCDEFGHIJKLMNOPQR.....
C-20	NY7-4922-000		1	KEYTOP H	*	ABCDEFGHIJKLMNOPQR.....
C-21	NY7-4922-000		1	KEYTOP H	*	ABCDEFGHIJKLMNOPQR.....
C-22	NY7-4922-000		1	KEYTOP H	*	ABCDEFGHIJKLMNOPQR.....
C-8	NY7-4923-000		1	KEYTOP K	*	ABCDEFGHIJKLMNOPQR.....
C-9	NY7-4923-000		1	KEYTOP K	*	ABCDEFGHIJKLMNOPQR.....
C-10	NY7-4923-000		1	KEYTOP K	*	ABCDEFGHIJKLMNOPQR.....
C-11	NY7-4923-000		1	KEYTOP K	*	ABCDEFGHIJKLMNOPQR.....
C-12	NY7-4923-000		1	KEYTOP K	*	ABCDEFGHIJKLMNOPQR.....
C-13	NY7-4923-000		1	KEYTOP K	*	ABCDEFGHIJKLMNOPQR.....
C-14	NY7-4923-000		1	KEYTOP K	*	ABCDEFGHIJKLMNOPQR.....
C-15	NY7-4923-000		1	KEYTOP K	*	ABCDEFGHIJKLMNOPQR.....
C-16	NY7-4923-000		1	KEYTOP K	*	ABCDEFGHIJKLMNOPQR.....
C-17	NY7-4923-000		1	KEYTOP K	*	ABCDEFGHIJKLMNOPQR.....
C-18	NY7-4923-000		1	KEYTOP K	*	ABCDEFGHIJKLMNOPQR.....
C-19	NY7-4923-000		1	KEYTOP K	*	ABCDEFGHIJKLMNOPQR.....
C-20	NY7-4923-000		1	KEYTOP K	*	ABCDEFGHIJKLMNOPQR.....
C-21	NY7-4923-000		1	KEYTOP K	*	ABCDEFGHIJKLMNOPQR.....
C-22	NY7-4923-000		1	KEYTOP K	*	ABCDEFGHIJKLMNOPQR.....
C-17	NY7-4924-000		1	KEYTOP M	*M..P.....
C-20	NY7-4924-000		1	KEYTOP M	*M..P.....
C-8	NY7-4925-000		1	KEYTOP (#617)	*	ABCD.....R.....
C-9	NY7-4925-000		1	KEYTOP (#617)	*	ABCD.....R.....
C-22	NY7-4925-000		1	KEYTOP (#617)	*	ABCD.....R.....
C-18	NY7-4926-000		1	KEYTOP (#618)	*N.....
C-10	NY7-4927-000		1	KEYTOP (#619)	*	...EF.....O.....
C-19	NY7-4927-000		1	KEYTOP (#619)	*	...EF.....O.....
C-11	NY7-4928-000		1	KEYTOP (#620)	*G.....
C-12	NY7-4929-000		1	KEYTOP (#621)	*H.....
C-13	NY7-4930-000		1	KEYTOP (#622)	*I..K.....
C-15	NY7-4930-000		1	KEYTOP (#622)	*I..K.....
C-14	NY7-4931-000		1	KEYTOP (#623)	*J.....
C-16	NY7-4932-000		1	KEYTOP (#624)	*L.....

Jef Raskin Document # 062 -- Canon Cat Computer Repair Manual

F. NUMERICAL INDEX

[COUNTRY CODE AS SHOWN BELOW]

COUNTRY CODE:

A: USA/CANADA E: LATIN(115V) I: SWEDEN/FINLAND M: FRANCE Q: S.AFRICA
 B: ASIA F: LATIN(230V) J: NETHERLANDS N: U.K. R: JAPAN
 C: OCEANIA G: NORWAY K: W.GERMANY O: SPAIN
 D: QUEBEC H: DENMARK L: SWITZERLAND P: ITALY

FIGURE & KEY NO.	PART NUMBER	RANK	Q'TY	DESCRIPTION	REMARKS	COUNTRY CODE
						ABCDEFGHIJKLMNOPQR.....
C-21	NY7-4933-000		1	KEYTOP (#625)	*Q.....
C-10	NY7-4934-000		1	KEYTOP (#626)	*	...EF.....
C-11	NY7-4935-000		1	KEYTOP (#627)	*GHI.....
C-12	NY7-4935-000		1	KEYTOP (#627)	*GHI.....
C-13	NY7-4935-000		1	KEYTOP (#627)	*GHI.....
C-15	NY7-4936-000		1	KEYTOP (#628)	*K.....
C-14	NY7-4937-000		1	KEYTOP (#629)	*J.....
C-16	NY7-4938-000		1	KEYTOP (#630)	*L.....
C-17	NY7-4939-000		1	KEYTOP (#631)	*M.....
C-18	NY7-4940-000		1	KEYTOP (#632)	*N.....
C-19	NY7-4941-000		1	KEYTOP (#633)	*O.....
C-20	NY7-4942-000		1	KEYTOP (#634)	*P.....
C-21	NY7-4943-000		1	KEYTOP (#635)	*Q.....
C-8	NY7-4944-000		1	KEYTOP A	*	ABC...GHIJ...N..QR.....
C-11	NY7-4944-000		1	KEYTOP A	*	ABC...GHIJ...N..QR.....
C-12	NY7-4944-000		1	KEYTOP A	*	ABC...GHIJ...N..QR.....
C-13	NY7-4944-000		1	KEYTOP A	*	ABC...GHIJ...N..QR.....
C-14	NY7-4944-000		1	KEYTOP A	*	ABC...GHIJ...N..QR.....
C-18	NY7-4944-000		1	KEYTOP A	*	ABC...GHIJ...N..QR.....
C-21	NY7-4944-000		1	KEYTOP A	*	ABC...GHIJ...N..QR.....
C-22	NY7-4944-000		1	KEYTOP A	*	ABC...GHIJ...N..QR.....
C-9	NY7-4945-000		1	KEYTOP A	*	...DEF...KLM.OP.....
C-10	NY7-4945-000		1	KEYTOP A	*	...DEF...KLM.OP.....
C-15	NY7-4945-000		1	KEYTOP A	*	...DEF...KLM.OP.....
C-16	NY7-4945-000		1	KEYTOP A	*	...DEF...KLM.OP.....
C-19	NY7-4945-000		1	KEYTOP A	*	...DEF...KLM.OP.....
C-20	NY7-4945-000		1	KEYTOP A	*	...DEF...KLM.OP.....
C-8	NY7-4946-000		1	KEYTOP D	*	ABC...GHIJ...N..QR.....
C-11	NY7-4946-000		1	KEYTOP D	*	ABC...GHIJ...N..QR.....
C-12	NY7-4946-000		1	KEYTOP D	*	ABC...GHIJ...N..QR.....
C-13	NY7-4946-000		1	KEYTOP D	*	ABC...GHIJ...N..QR.....
C-14	NY7-4946-000		1	KEYTOP D	*	ABC...GHIJ...N..QR.....
C-18	NY7-4946-000		1	KEYTOP D	*	ABC...GHIJ...N..QR.....
C-21	NY7-4946-000		1	KEYTOP D	*	ABC...GHIJ...N..QR.....
C-22	NY7-4946-000		1	KEYTOP D	*	ABC...GHIJ...N..QR.....
C-9	NY7-4947-000		1	KEYTOP D	*	...DEF...KLM.OP.....
C-10	NY7-4947-000		1	KEYTOP D	*	...DEF...KLM.OP.....
C-15	NY7-4947-000		1	KEYTOP D	*	...DEF...KLM.OP.....
C-16	NY7-4947-000		1	KEYTOP D	*	...DEF...KLM.OP.....
C-17	NY7-4947-000		1	KEYTOP D	*	...DEF...KLM.OP.....
C-19	NY7-4947-000		1	KEYTOP D	*	...DEF...KLM.OP.....
C-20	NY7-4947-000		1	KEYTOP D	*	...DEF...KLM.OP.....
C-8	NY7-4948-000		1	KEYTOP G	*	ABC...GHIJ...N..QR.....
C-11	NY7-4948-000		1	KEYTOP G	*	ABC...GHIJ...N..QR.....
C-12	NY7-4948-000		1	KEYTOP G	*	ABC...GHIJ...N..QR.....
C-13	NY7-4948-000		1	KEYTOP G	*	ABC...GHIJ...N..QR.....
C-14	NY7-4948-000		1	KEYTOP G	*	ABC...GHIJ...N..QR.....
C-18	NY7-4948-000		1	KEYTOP G	*	ABC...GHIJ...N..QR.....
C-21	NY7-4948-000		1	KEYTOP G	*	ABC...GHIJ...N..QR.....
C-22	NY7-4948-000		1	KEYTOP G	*	ABC...GHIJ...N..QR.....
C-9	NY7-4949-000		1	KEYTOP G	*	...DEF...KLM.OP.....
C-10	NY7-4949-000		1	KEYTOP G	*	...DEF...KLM.OP.....
C-15	NY7-4949-000		1	KEYTOP G	*	...DEF...KLM.OP.....
C-16	NY7-4949-000		1	KEYTOP G	*	...DEF...KLM.OP.....
C-17	NY7-4949-000		1	KEYTOP G	*	...DEF...KLM.OP.....

F. NUMERICAL INDEX
 [COUNTRY CODE AS SHOWN BELOW]

COUNTRY CODE:

A: USA/CANADA E: LATIN(115V) I: SWEDEN/FINLAND M: FRANCE Q: S.AFRICA
 B: ASIA F: LATIN(230V) J: NETHERLANDS N: U.K. R: JAPAN
 C: OCEANIA G: NORWAY K: W.GERMANY O: SPAIN
 D: QUEBEC H: DENMARK L: SWITZERLAND P: ITALY

FIGURE & KEY NO.	PART NUMBER	RANK	Q'TY	DESCRIPTION	REMARKS	COUNTRY CODE
						ABCDEFGHIJKLMNPOQR.....
C-19	NY7-4949-000		1	KEYTOP G	*	...DEF...KLM.OP.....
C-20	NY7-4949-000		1	KEYTOP G	*	...DEF...KLM.OP.....
C-8	NY7-4950-000		1	KEYTOP J	*	ABC...GHIJ...N..QR.....
C-11	NY7-4950-000		1	KEYTOP J	*	ABC...GHIJ...N..QR.....
C-12	NY7-4950-000		1	KEYTOP J	*	ABC...GHIJ...N..QR.....
C-13	NY7-4950-000		1	KEYTOP J	*	ABC...GHIJ...N..QR.....
C-14	NY7-4950-000		1	KEYTOP J	*	ABC...GHIJ...N..QR.....
C-18	NY7-4950-000		1	KEYTOP J	*	ABC...GHIJ...N..QR.....
C-21	NY7-4950-000		1	KEYTOP J	*	ABC...GHIJ...N..QR.....
C-22	NY7-4950-000		1	KEYTOP J	*	ABC...GHIJ...N..QR.....
C-9	NY7-4951-000		1	KEYTOP J	*	...DEF...KLM.OP.....
C-10	NY7-4951-000		1	KEYTOP J	*	...DEF...KLM.OP.....
C-15	NY7-4951-000		1	KEYTOP J	*	...DEF...KLM.OP.....
C-16	NY7-4951-000		1	KEYTOP J	*	...DEF...KLM.OP.....
C-17	NY7-4951-000		1	KEYTOP J	*	...DEF...KLM.OP.....
C-19	NY7-4951-000		1	KEYTOP J	*	...DEF...KLM.OP.....
C-20	NY7-4951-000		1	KEYTOP J	*	...DEF...KLM.OP.....
C-8	NY7-4952-000		1	KEYTOP L	*	ABC...GHIJ...N..QR.....
C-11	NY7-4952-000		1	KEYTOP L	*	ABC...GHIJ...N..QR.....
C-12	NY7-4952-000		1	KEYTOP L	*	ABC...GHIJ...N..QR.....
C-13	NY7-4952-000		1	KEYTOP L	*	ABC...GHIJ...N..QR.....
C-14	NY7-4952-000		1	KEYTOP L	*	ABC...GHIJ...N..QR.....
C-18	NY7-4952-000		1	KEYTOP L	*	ABC...GHIJ...N..QR.....
C-21	NY7-4952-000		1	KEYTOP L	*	ABC...GHIJ...N..QR.....
C-22	NY7-4952-000		1	KEYTOP L	*	ABC...GHIJ...N..QR.....
C-9	NY7-4953-000		1	KEYTOP L	*	...DEF...KLM.OP.....
C-10	NY7-4953-000		1	KEYTOP L	*	...DEF...KLM.OP.....
C-15	NY7-4953-000		1	KEYTOP L	*	...DEF...KLM.OP.....
C-16	NY7-4953-000		1	KEYTOP L	*	...DEF...KLM.OP.....
C-17	NY7-4953-000		1	KEYTOP L	*	...DEF...KLM.OP.....
C-19	NY7-4953-000		1	KEYTOP L	*	...DEF...KLM.OP.....
C-20	NY7-4953-000		1	KEYTOP L	*	...DEF...KLM.OP.....
C-17	NY7-4954-000		1	KEYTOP Q	*M.....
C-10	NY7-4955-000		1	KEYTOP (#636)	*	...E.....
C-21	NY7-4956-000		1	KEYTOP (#637)	*Q.....
C-12	NY7-4957-000		1	KEYTOP (#638)	*H.....
C-11	NY7-4958-000		1	KEYTOP (#639)	*G.....
C-8	NY7-4959-000		1	KEYTOP (#640)	*	ABC.....R.....
C-22	NY7-4959-000		1	KEYTOP (#640)	*	ABC.....R.....
C-9	NY7-4960-000		1	KEYTOP (#641)	*	...D.....
C-13	NY7-4961-000		1	KEYTOP (#642)	*I.....
C-15	NY7-4962-000		1	KEYTOP (#643)	*K.....
C-14	NY7-4963-000		1	KEYTOP (#644)	*J.....
C-16	NY7-4964-000		1	KEYTOP (#645)	*L.....
C-20	NY7-4965-000		1	KEYTOP (#646)	*P.....
C-17	NY7-4966-000		1	KEYTOP (#647)	*M.....
C-18	NY7-4967-000		1	KEYTOP (#648)	*N.....
C-19	NY7-4968-000		1	KEYTOP (#649)	*O.....
C-8	NY7-4969-000		1	KEYTOP Z	*	ABCDEFGHIJ...NO.QR.....
C-9	NY7-4969-000		1	KEYTOP Z	*	ABCDEFGHIJ...NO.QR.....
C-10	NY7-4969-000		1	KEYTOP Z	*	ABCDEFGHIJ...NO.QR.....
C-11	NY7-4969-000		1	KEYTOP Z	*	ABCDEFGHIJ...NO.QR.....
C-12	NY7-4969-000		1	KEYTOP Z	*	ABCDEFGHIJ...NO.QR.....
C-13	NY7-4969-000		1	KEYTOP Z	*	ABCDEFGHIJ...NO.QR.....
C-14	NY7-4969-000		1	KEYTOP Z	*	ABCDEFGHIJ...NO.QR.....

F. NUMERICAL INDEX
[COUNTRY CODE AS SHOWN BELOW]

COUNTRY CODE:

A: USA/CANADA E: LATIN(115V) I: SWEDEN/FINLAND M: FRANCE Q: S.AFRICA
 B: ASIA F: LATIN(230V) J: NETHERLANDS N: U.K. R: JAPAN
 C: OCEANIA G: NORWAY K: W.GERMANY O: SPAIN
 D: QUEBEC H: DENMARK L: SWITZERLAND P: ITALY

FIGURE & KEY NO.	PART NUMBER	RANK	Q'TY	DESCRIPTION	REMARKS	COUNTRY CODE
						ABCDEFGHIJKL MNOPQR.....
C-18	NY7-4969-000		1	KEYTOP Z	*	ABCDEFGHIJ...NO.QR.....
C-19	NY7-4969-000		1	KEYTOP Z	*	ABCDEFGHIJ...NO.QR.....
C-21	NY7-4969-000		1	KEYTOP Z	*	ABCDEFGHIJ...NO.QR.....
C-22	NY7-4969-000		1	KEYTOP Z	*	ABCDEFGHIJ...NO.QR.....
C-8	NY7-4970-000		1	KEYTOP C	*	ABCDEFGHIJKLMNOPQR.....
C-9	NY7-4970-000		1	KEYTOP C	*	ABCDEFGHIJKLMNOPQR.....
C-10	NY7-4970-000		1	KEYTOP C	*	ABCDEFGHIJKLMNOPQR.....
C-11	NY7-4970-000		1	KEYTOP C	*	ABCDEFGHIJKLMNOPQR.....
C-12	NY7-4970-000		1	KEYTOP C	*	ABCDEFGHIJKLMNOPQR.....
C-13	NY7-4970-000		1	KEYTOP C	*	ABCDEFGHIJKLMNOPQR.....
C-14	NY7-4970-000		1	KEYTOP C	*	ABCDEFGHIJKLMNOPQR.....
C-15	NY7-4970-000		1	KEYTOP C	*	ABCDEFGHIJKLMNOPQR.....
C-16	NY7-4970-000		1	KEYTOP C	*	ABCDEFGHIJKLMNOPQR.....
C-17	NY7-4970-000		1	KEYTOP C	*	ABCDEFGHIJKLMNOPQR.....
C-18	NY7-4970-000		1	KEYTOP C	*	ABCDEFGHIJKLMNOPQR.....
C-19	NY7-4970-000		1	KEYTOP C	*	ABCDEFGHIJKLMNOPQR.....
C-20	NY7-4970-000		1	KEYTOP C	*	ABCDEFGHIJKLMNOPQR.....
C-21	NY7-4970-000		1	KEYTOP C	*	ABCDEFGHIJKLMNOPQR.....
C-22	NY7-4970-000		1	KEYTOP C	*	ABCDEFGHIJKLMNOPQR.....
C-8	NY7-4971-000		1	KEYTOP B	*	ABCDEFGHIJKLMNOPQR.....
C-9	NY7-4971-000		1	KEYTOP B	*	ABCDEFGHIJKLMNOPQR.....
C-10	NY7-4971-000		1	KEYTOP B	*	ABCDEFGHIJKLMNOPQR.....
C-11	NY7-4971-000		1	KEYTOP B	*	ABCDEFGHIJKLMNOPQR.....
C-12	NY7-4971-000		1	KEYTOP B	*	ABCDEFGHIJKLMNOPQR.....
C-13	NY7-4971-000		1	KEYTOP B	*	ABCDEFGHIJKLMNOPQR.....
C-14	NY7-4971-000		1	KEYTOP B	*	ABCDEFGHIJKLMNOPQR.....
C-15	NY7-4971-000		1	KEYTOP B	*	ABCDEFGHIJKLMNOPQR.....
C-16	NY7-4971-000		1	KEYTOP B	*	ABCDEFGHIJKLMNOPQR.....
C-17	NY7-4971-000		1	KEYTOP B	*	ABCDEFGHIJKLMNOPQR.....
C-18	NY7-4971-000		1	KEYTOP B	*	ABCDEFGHIJKLMNOPQR.....
C-19	NY7-4971-000		1	KEYTOP B	*	ABCDEFGHIJKLMNOPQR.....
C-20	NY7-4971-000		1	KEYTOP B	*	ABCDEFGHIJKLMNOPQR.....
C-21	NY7-4971-000		1	KEYTOP B	*	ABCDEFGHIJKLMNOPQR.....
C-22	NY7-4971-000		1	KEYTOP B	*	ABCDEFGHIJKLMNOPQR.....
C-8	NY7-4972-000		1	KEYTOP M	*	ABCDEFGHIJKL.NOPQR.....
C-9	NY7-4972-000		1	KEYTOP M	*	ABCDEFGHIJKL.NOPQR.....
C-10	NY7-4972-000		1	KEYTOP M	*	ABCDEFGHIJKL.NOPQR.....
C-11	NY7-4972-000		1	KEYTOP M	*	ABCDEFGHIJKL.NOPQR.....
C-12	NY7-4972-000		1	KEYTOP M	*	ABCDEFGHIJKL.NOPQR.....
C-13	NY7-4972-000		1	KEYTOP M	*	ABCDEFGHIJKL.NOPQR.....
C-14	NY7-4972-000		1	KEYTOP M	*	ABCDEFGHIJKL.NOPQR.....
C-15	NY7-4972-000		1	KEYTOP M	*	ABCDEFGHIJKL.NOPQR.....
C-16	NY7-4972-000		1	KEYTOP M	*	ABCDEFGHIJKL.NOPQR.....
C-18	NY7-4972-000		1	KEYTOP M	*	ABCDEFGHIJKL.NOPQR.....
C-19	NY7-4972-000		1	KEYTOP M	*	ABCDEFGHIJKL.NOPQR.....
C-21	NY7-4972-000		1	KEYTOP M	*	ABCDEFGHIJKL.NOPQR.....
C-22	NY7-4972-000		1	KEYTOP M	*	ABCDEFGHIJKL.NOPQR.....
C-15	NY7-4973-000		1	KEYTOP Y	*KL.....
C-16	NY7-4973-000		1	KEYTOP Y	*KL.....
C-17	NY7-4974-000		1	KEYTOP W	*M..P.....
C-20	NY7-4974-000		1	KEYTOP W	*M..P.....
C-17	NY7-4975-000		1	KEYTOP (#650)	*M..P.....
C-20	NY7-4975-000		1	KEYTOP (#650)	*M..P.....
C-8	NY7-4976-000		1	KEYTOP (#651)	*	ABCDEF.....N..QR.....
C-9	NY7-4976-000		1	KEYTOP (#651)	*	ABCDEF.....N..QR.....

F. NUMERICAL INDEX
 [COUNTRY CODE AS SHOWN BELOW]

COUNTRY CODE:

A: USA/CANADA E: LATIN(115V) I: SWEDEN/FINLAND M: FRANCE Q: S.AFRICA
 B: ASIA F: LATIN(230V) J: NETHERLANDS N: U.K. R: JAPAN
 C: OCEANIA G: NORWAY K: W.GERMANY O: SPAIN
 D: QUEBEC H: DENMARK L: SWITZERLAND P: ITALY

FIGURE & KEY NO.	PART NUMBER	RANK	Q'TY	DESCRIPTION	REMARKS	COUNTRY CODE
						ABCDEFGHIJKLMNOPQR.....
C-10	NY7-4976-000		1	KEYTOP (#651)	*	ABCDEF.....N..QR.....
C-18	NY7-4976-000		1	KEYTOP (#651)	*	ABCDEF.....N..QR.....
C-21	NY7-4976-000		1	KEYTOP (#651)	*	ABCDEF.....N..QR.....
C-22	NY7-4976-000		1	KEYTOP (#651)	*	ABCDEF.....N..QR.....
C-11	NY7-4977-000		1	KEYTOP (#652)	*GHIJKL..O.....
C-12	NY7-4977-000		1	KEYTOP (#652)	*GHIJKL..O.....
C-13	NY7-4977-000		1	KEYTOP (#652)	*GHIJKL..O.....
C-14	NY7-4977-000		1	KEYTOP (#652)	*GHIJKL..O.....
C-15	NY7-4977-000		1	KEYTOP (#652)	*GHIJKL..O.....
C-16	NY7-4977-000		1	KEYTOP (#652)	*GHIJKL..O.....
C-19	NY7-4977-000		1	KEYTOP (#652)	*GHIJKL..O.....
C-17	NY7-4978-000		1	KEYTOP (#653)	*M..P.....
C-20	NY7-4978-000		1	KEYTOP (#653)	*M..P.....
C-11	NY7-4979-000		1	KEYTOP (#654)	*GHIJK.....
C-12	NY7-4979-000		1	KEYTOP (#654)	*GHIJK.....
C-13	NY7-4979-000		1	KEYTOP (#654)	*GHIJK.....
C-14	NY7-4979-000		1	KEYTOP (#654)	*GHIJK.....
C-15	NY7-4979-000		1	KEYTOP (#654)	*GHIJK.....
C-17	NY7-4980-000		1	KEYTOP (#655)	*M.....
C-19	NY7-4981-000		1	KEYTOP (#656)	*O.....
C-20	NY7-4982-000		1	KEYTOP (#657)	*P.....
C-10	NY7-4983-000		1	KEYTOP (#658)	*EF.....
C-11	NY7-4984-000		1	KEYTOP (#659)	*GH.....
C-12	NY7-4984-000		1	KEYTOP (#659)	*GH.....
C-13	NY7-4985-000		1	KEYTOP (#660)	*I.....
C-15	NY7-4986-000		1	KEYTOP (#661)	*K..M.....
C-17	NY7-4986-000		1	KEYTOP (#661)	*K..M.....
C-14	NY7-4987-000		1	KEYTOP (#662)	*J.....
C-16	NY7-4988-000		1	KEYTOP (#663)	*L.....
C-18	NY7-4989-000		1	KEYTOP (#664)	*N.....
C-19	NY7-4990-000		1	KEYTOP (#665)	*O.....
C-20	NY7-4991-000		1	KEYTOP (#666)	*P.....
C-21	NY7-4992-000		1	KEYTOP (#667)	*Q.....
C-8	NY7-4993-000		1	KEYTOP X	*	ABC...GHIJ...N..QR.....
C-11	NY7-4993-000		1	KEYTOP X	*	ABC...GHIJ...N..QR.....
C-12	NY7-4993-000		1	KEYTOP X	*	ABC...GHIJ...N..QR.....
C-13	NY7-4993-000		1	KEYTOP X	*	ABC...GHIJ...N..QR.....
C-14	NY7-4993-000		1	KEYTOP X	*	ABC...GHIJ...N..QR.....
C-18	NY7-4993-000		1	KEYTOP X	*	ABC...GHIJ...N..QR.....
C-21	NY7-4993-000		1	KEYTOP X	*	ABC...GHIJ...N..QR.....
C-22	NY7-4993-000		1	KEYTOP X	*	ABC...GHIJ...N..QR.....
C-9	NY7-4994-000		1	KEYTOP X	*	...DEF...KLM.OP.....
C-10	NY7-4994-000		1	KEYTOP X	*	...DEF...KLM.OP.....
C-15	NY7-4994-000		1	KEYTOP X	*	...DEF...KLM.OP.....
C-16	NY7-4994-000		1	KEYTOP X	*	..DEF...KLM.OP.....
C-17	NY7-4994-000		1	KEYTOP X	*	...DEF...KLM.OP.....
C-19	NY7-4994-000		1	KEYTOP X	*	...DEF...KLM.OP.....
C-20	NY7-4994-000		1	KEYTOP X	*	...DEF...KLM.OP.....
C-8	NY7-4995-000		1	KEYTOP V	*	ABC...GHIJ...N..QR.....
C-11	NY7-4995-000		1	KEYTOP V	*	ABC...GHIJ...N..QR.....
C-12	NY7-4995-000		1	KEYTOP V	*	ABC...GHIJ...N..QR.....
C-13	NY7-4995-000		1	KEYTOP V	*	ABC...GHIJ...N..QR.....
C-14	NY7-4995-000		1	KEYTOP V	*	ABC...GHIJ...N..QR.....
C-18	NY7-4995-000		1	KEYTOP V	*	ABC...GHIJ...N..QR.....
C-21	NY7-4995-000		1	KEYTOP V	*	ABC...GHIJ...N..QR.....

F. NUMERICAL INDEX
 [COUNTRY CODE AS SHOWN BELOW]

COUNTRY CODE:

A: USA/CANADA E: LATIN(115V) I: SWEDEN/FINLAND M: FRANCE Q: S.AFRICA
 B: ASIA F: LATIN(230V) J: NETHERLANDS N: U.K. R: JAPAN
 C: OCEANIA G: NORWAY K: W.GERMANY O: SPAIN
 D: QUEBEC H: DENMARK L: SWITZERLAND P: ITALY

FIGURE & KEY NO.	PART NUMBER	RANK	Q'TY	DESCRIPTION	REMARKS	COUNTRY CODE
						ABCDEFGHIJKLMNOPQR.....
C-22	NY7-4995-000		1	KEYTOP V	*	ABC...GHIJ...N..QR.....
C-9	NY7-4996-000		1	KEYTOP V	*	...DEF...KLM.OP.....
C-10	NY7-4996-000		1	KEYTOP V	*	..DEF...KLM.OP.....
C-15	NY7-4996-000		1	KEYTOP V	*	...DEF...KLM.OP.....
C-16	NY7-4996-000		1	KEYTOP V	*	..DEF...KLM.OP.....
C-17	NY7-4996-000		1	KEYTOP V	*	...DEF...KLM.OP.....
C-19	NY7-4996-000		1	KEYTOP V	*	..DEF...KLM.OP.....
C-20	NY7-4996-000		1	KEYTOP V	*	...DEF...KLM.OP.....
C-8	NY7-4997-000		1	KEYTOP N	*	ABC...GHIJ...N..QR.....
C-11	NY7-4997-000		1	KEYTOP N	*	ABC...GHIJ...N..QR.....
C-12	NY7-4997-000		1	KEYTOP N	*	ABC...GHIJ...N..QR.....
C-13	NY7-4997-000		1	KEYTOP N	*	ABC...GHIJ...N..QR.....
C-14	NY7-4997-000		1	KEYTOP N	*	ABC...GHIJ...N..QR.....
C-18	NY7-4997-000		1	KEYTOP N	*	ABC...GHIJ...N..QR.....
C-21	NY7-4997-000		1	KEYTOP N	*	ABC...GHIJ...N..QR.....
C-22	NY7-4997-000		1	KEYTOP N	*	ABC...GHIJ...N..QR.....
C-9	NY7-4998-000		1	KEYTOP N	*	...DEF...KLM.OP.....
C-10	NY7-4998-000		1	KEYTOP N	*	..DEF...KLM.OP.....
C-15	NY7-4998-000		1	KEYTOP N	*	...DEF...KLM.OP.....
C-16	NY7-4998-000		1	KEYTOP N	*	..DEF...KLM.OP.....
C-17	NY7-4998-000		1	KEYTOP N	*	...DEF...KLM.OP.....
C-19	NY7-4998-000		1	KEYTOP N	*	..DEF...KLM.OP.....
C-20	NY7-4998-000		1	KEYTOP N	*	...DEF...KLM.OP.....
C-8	NY7-4999-000		1	KEYTOP (#668)	*	ABC.....QR.....
C-21	NY7-4999-000		1	KEYTOP (#668)	*	ABC.....QR.....
C-22	NY7-4999-000		1	KEYTOP (#668)	*	ABC.....QR.....
C-2 12	NY7-6565-000		8	SCREW, M4X8	*	ABCDEFGHIJKLMNOPQR.....
C-2 1	NY7-6600-000		2	HOLDING PLATE, CRT	*	ABCDEFGHIJKLMNOPQR.....
C-2 2	NY7-6601-000		1	SIDE PLATE (RIGHT)	*	ABCDEFGHIJKLMNOPQR.....
C-2 3	NY7-6602-000		1	SIDE PLATE (LEFT)	*	ABCDEFGHIJKLMNOPQR.....
C-2 4	NY7-6603-000		1	CRT CHASSIS	*	ABCDEFGHIJKLMNOPQR.....
C-2 5	NY7-6604-000		1	SHIELD PLATE	*	ABCDEFGHIJKLMNOPQR.....
C-2 6	NY7-6605-000		1	POWER SUPPLY UNIT	*	ABCDEFGHIJKLMNOPQR.....
C-2 7	NY7-6606-000		1	CRT DRIVE PCB UNIT ()	*	ABCDEFGHIJKLMNOPQR.....
C-2 8	NY7-6607-000		1	DEFLECTION YORP	*	ABCDEFGHIJKLMNOPQR.....
C-2 9	NY7-6608-000		1	CRT ASSEMBLY	*	ABCDEFGHIJKLMNOPQR.....
C-2 10	NY7-6609-000		13	SCREW, PH M3X8	*	ABCDEFGHIJKLMNOPQR.....
C-2 11	NY7-6610-000		2	SCREW, FTH M3X8	*	ABCDEFGHIJKLMNOPQR.....
C-3 C 4	NY7-6611-000		1	CERAMIC CAP. 4700PF 250V	*	A.....
C-3 C 25	NY7-6612-000		1	CERAMIC CAP. 0.01UF 100V	*	A.....
C-3 C 6	NY7-6613-000		1	ALUMINUM CAP. 100UF 250V	*	A.....
C-3 C 7	NY7-6613-000		1	ALUMINUM CAP. 100UF 250V	*	A.....
C-3 C 15	NY7-6614-000		1	FILM CAP. 1000UF 16V	*	A.....
C-3 C 16	NY7-6614-000		1	FILM CAP. 1000UF 16V	*	A.....
C-3 C 17	NY7-6614-000		1	FILM CAP. 1000UF 16V	*	A.....
C-3 C 8	NY7-6615-000		1	ALUMINUM CAP. 220UF 10V	*	A.....
C-3 C 18	NY7-6616-000		1	ALUMINUM CAP. 330UF 16V	*	A.....
C-3 C 5	NY7-6617-000		1	FILM CAP. 0.22UF 250V	*	A.....
C-3 C 24	NY7-6617-000		1	FILM CAP. 0.22UF 250V	*	A.....
C-3 C 2	NY7-6618-000		1	FILM CAP. 0.22UF 250V	*	A.....
C-3 C 12	NY7-6619-000		1	FILM CAP. 0.22UF 100V	*	A.....
C-3 C 14	NY7-6619-000		1	FILM CAP. 0.22UF 100V	*	A.....
C-3 C 1	NY7-6620-000		1	FILM CAP. 0.01UF 250V	*	A.....
C-3 C 11	NY7-6620-000		1	FILM CAP. 0.01UF 250V	*	A.....
C-3 C 3	NY7-6621-000		1	MPR CAP. 4700PF 250V	*	A.....

F. NUMERICAL INDEX
[COUNTRY CODE AS SHOWN BELOW]

COUNTRY CODE:

A: USA/CANADA E: LATIN(115V) I: SWEDEN/FINLAND M: FRANCE Q: S.AFRICA
B: ASIA F: LATIN(230V) J: NETHERLANDS N: U.K. R: JAPAN
C: OCEANIA G: NORWAY K: W.GERMANY O: SPAIN
D: QUEBEC H: DENMARK L: SWITZERLAND P: ITALY

FIGURE & KEY NO.	PART NUMBER	RANK	Q'TY	DESCRIPTION	REMARKS	COUNTRY CODE ABCDEFGHIJKLMNOPQR.....
C-3 C 13	NY7-6622-000		1	FILM CAP. 0.22UF 100V	*	A.....
C-3 F 1	NY7-6623-000		1	FUSE 2A 250V	*	A.....
C-3 Q 2	NY7-6624-000		1	TRANSISTOR 2SC1942-20	*	A.....
C-3 IC 1	NY7-6625-000		1	IC AS431	*	A.....
C-3 D 5	NY7-6626-000		1	DIODE 1N4606	*	A.....
C-3 D 11	NY7-6626-000		1	DIODE 1N4606	*	A.....
C-3 D 12	NY7-6626-000		1	DIODE 1N4606	*	A.....
C-3 Z 1	NY7-6627-000		1	ZENER DIODE A40MA	*	A.....
C-3 D 2	NY7-6628-000		1	DIODE RGP10J	*	A.....
C-3 D 9	NY7-6629-000		1	DIODE RGP10B	*	A.....
C-3 D 4	NY7-6630-000		1	DIODE 1N4001GP	*	A.....
C-3 D 13	NY7-6630-000		1	DIODE 1N4001GP	*	A.....
C-3 D 3	NY7-6631-000		1	DIODE RGP10M	*	A.....
C-3 DB 1	NY7-6632-000		1	DIODE BRIDGE KBP08-5001	*	A.....
C-3 SCR 1	NY7-6633-000		1	THYRISTOR C122U	*	A.....
C-3 R 2	NY7-6634-000		1	RESISTOR 330K OHM 1/2W	*	A.....
C-3 R 11	NY7-6635-000		1	RESISTOR 0.75 OHM 1W	*	A.....
C-3 R 12	NY7-6636-000		1	RESISTOR 1 OHM 1W	*	A.....
C-3 R 3	NY7-6637-000		1	RESISTOR 180 OHM 1W	*	A.....
C-3 R 1	NY7-6638-000		1	RESISTOR 4 OHM	*	A.....
C-3 L 3	NY7-6639-000		1	INDUCTOR 2.2UH	*	A.....
C-3 L 4	NY7-6640-000		1	INDUCTOR 1.5MH	*	A.....
C-3 L 7	NY7-6641-000		1	CHOKE COIL	*	A.....
C-3 T 2	NY7-6642-000		1	TRANSFORMER	*	A.....
C-3 T 3	NY7-6643-000		1	TRANSFORMER	*	A.....
C-3 L 5	NY7-6644-000		1	CHOKE COIL	*	A.....
C-3 L 6	NY7-6644-000		1	CHOKE COIL	*	A.....
C-3 T 1	NY7-6645-000		1	TRANSFORMER	*	A.....
C-3 D 7	NY7-6646-000		1	DIODE	*	A.....
C-3 D 8	NY7-6646-000		1	DIODE	*	A.....
C-3 D 6	NY7-6647-000		1	DIODE	*	A.....
C-3 C 20	NY7-6648-000		1	ALUMINUM CAP. 470UF 25V	*	A.....
C-3 C 9	NY7-6649-000		1	CERAMIC CAP. 470PF 2KV	*	A.....
C-3 R 8	NY7-6650-000		1	RESISTOR 120 OHM 1W	*	A.....
C-3 R 15	NY7-6651-000		1	RESISTOR 270 OHM 1W	*	A.....
C-3 R 16	NY7-6651-000		1	RESISTOR 270 OHM 1W	*	A.....
C-3 R 4	NY7-6652-000		1	RESISTOR 33 OHM 3W	*	A.....
C-10	NY7-8001-000		1	KEYTOP (#669)	*	...EF.....
C-9	NY7-8002-000		1	KEYTOP (#670)	*	...D.....
C-11	NY7-8003-000		1	KEYTOP (#671)	*	...GHIJ.....
C-12	NY7-8003-000		1	KEYTOP (#671)	*	...GHIJ.....
C-13	NY7-8003-000		1	KEYTOP (#671)	*	...GHIJ.....
C-14	NY7-8003-000		1	KEYTOP (#671)	*	...GHIJ.....
C-15	NY7-8004-000		1	KEYTOP (#672)	*	...KL.O.....
C-16	NY7-8004-000		1	KEYTOP (#672)	*	...KL.O.....
C-19	NY7-8004-000		1	KEYTOP (#672)	*	...KL.O.....
C-17	NY7-8005-000		1	KEYTOP (#673)	*	...M.P.....
C-20	NY7-8005-000		1	KEYTOP (#673)	*	...M.P.....
C-18	NY7-8006-000		1	KEYTOP (#674)	*	...N.....
C-8	NY7-8007-000		1	KEYTOP (#675)	*	ABC.....R.....
C-22	NY7-8007-000		1	KEYTOP (#675)	*	ABC.....R.....
C-10	NY7-8008-000		1	KEYTOP (#676)	*	...EF.....
C-9	NY7-8009-000		1	KEYTOP (#677)	*	...D.....
C-21	NY7-8010-000		1	KEYTOP (#678)	*	...Q.....
C-16	NY7-8011-000		1	KEYTOP (#679)	*	...L.....

F. NUMERICAL INDEX

[COUNTRY CODE AS SHOWN BELOW]

COUNTRY CODE:

A: USA/CANADA E: LATIN(115V) I: SWEDEN/FINLAND M: FRANCE Q: S.AFRICA
 B: ASIA F: LATIN(230V) J: NETHERLANDS N: U.K. R: JAPAN
 C: OCEANIA G: NORWAY K: W.GERMANY O: SPAIN
 D: QUEBEC H: DENMARK L: SWITZERLAND P: ITALY

FIGURE & KEY NO.	PART NUMBER	RANK	Q'TY	DESCRIPTION	REMARKS	COUNTRY CODE
						ABCDEFGHIJKLMNOPQR.....
C-18	NY7-8012-000		1	KEYTOP (#680)	*N.....
C-10	NY7-8013-000		1	KEYTOP (#681)	*	...EF...KLM.OP.....
C-15	NY7-8013-000		1	KEYTOP (#681)	*	...EF...KLM.OP.....
C-16	NY7-8013-000		1	KEYTOP (#681)	*	...EF...KLM.OP.....
C-17	NY7-8013-000		1	KEYTOP (#681)	*	...EF...KLM.OP.....
C-19	NY7-8013-000		1	KEYTOP (#681)	*	...EF...KLM.OP.....
C-20	NY7-8013-000		1	KEYTOP (#681)	*	...EF...KLM.OP.....
C-11	NY7-8014-000		1	KEYTOP SHIFT	*GHIJ...N..Q.....
C-12	NY7-8014-000		1	KEYTOP SHIFT	*GHIJ...N..Q.....
C-13	NY7-8014-000		1	KEYTOP SHIFT	*GHIJ...N..Q.....
C-14	NY7-8014-000		1	KEYTOP SHIFT	*GHIJ...N..Q.....
C-18	NY7-8014-000		1	KEYTOP SHIFT	*GHIJ...N..Q.....
C-21	NY7-8014-000		1	KEYTOP SHIFT	*GHIJ...N..Q.....
C-9	NY7-8015-000		1	KEYTOP (#682)	*	...DEF...KLM.OP.....
C-10	NY7-8015-000		1	KEYTOP (#682)	*	...DEF...KLM.OP.....
C-15	NY7-8015-000		1	KEYTOP (#682)	*	...DEF...KLM.OP.....
C-16	NY7-8015-000		1	KEYTOP (#682)	*	...DEF...KLM.OP.....
C-17	NY7-8015-000		1	KEYTOP (#682)	*	...DEF...KLM.OP.....
C-19	NY7-8015-000		1	KEYTOP (#682)	*	...DEF...KLM.OP.....
C-20	NY7-8015-000		1	KEYTOP (#682)	*	...DEF...KLM.OP.....
C-8	NY7-8016-000		1	KEYTOP PERM SPACE/TAB	*	ABC...GHIJ...N..QR.....
C-11	NY7-8016-000		1	KEYTOP PERM SPACE/TAB	*	ABC...GHIJ...N..QR.....
C-12	NY7-8016-000		1	KEYTOP PERM SPACE/TAB	*	ABC...GHIJ...N..QR.....
C-13	NY7-8016-000		1	KEYTOP PERM SPACE/TAB	*	ABC...GHIJ...N..QR.....
C-14	NY7-8016-000		1	KEYTOP PERM SPACE/TAB	*	ABC...GHIJ...N..QR.....
C-18	NY7-8016-000		1	KEYTOP PERM SPACE/TAB	*	ABC...GHIJ...N..QR.....
C-21	NY7-8016-000		1	KEYTOP PERM SPACE/TAB	*	ABC...GHIJ...N..QR.....
C-22	NY7-8016-000		1	KEYTOP PERM SPACE/TAB	*	ABC...GHIJ...N..QR.....
C-9	NY7-8017-000		1	KEYTOP (#683)	*	...DEF...KLM.OP.....
C-10	NY7-8017-000		1	KEYTOP (#683)	*	...DEF...KLM.OP.....
C-15	NY7-8017-000		1	KEYTOP (#683)	*	...DEF...KLM.OP.....
C-16	NY7-8017-000		1	KEYTOP (#683)	*	...DEF...KLM.OP.....
C-17	NY7-8017-000		1	KEYTOP (#683)	*	...DEF...KLM.OP.....
C-19	NY7-8017-000		1	KEYTOP (#683)	*	...DEF...KLM.OP.....
C-20	NY7-8017-000		1	KEYTOP (#683)	*	...DEF...KLM.OP.....
C-8	NY7-8018-000		1	KEYTOP ERASE	*	ABC...GHIJ...N..QR.....
C-11	NY7-8018-000		1	KEYTOP ERASE	*	ABC...GHIJ...N..QR.....
C-12	NY7-8018-000		1	KEYTOP ERASE	*	ABC...GHIJ...N..QR.....
C-13	NY7-8018-000		1	KEYTOP ERASE	*	ABC...GHIJ...N..QR.....
C-14	NY7-8018-000		1	KEYTOP ERASE	*	ABC...GHIJ...N..QR.....
C-18	NY7-8018-000		1	KEYTOP ERASE	*	ABC...GHIJ...N..QR.....
C-21	NY7-8018-000		1	KEYTOP ERASE	*	ABC...GHIJ...N..QR.....
C-22	NY7-8018-000		1	KEYTOP ERASE	*	ABC...GHIJ...N..QR.....
C-9	NY7-8019-000		1	KEYTOP (#684)	*	...DEF...KLM.OP.....
C-10	NY7-8019-000		1	KEYTOP (#684)	*	...DEF...KLM.OP.....
C-15	NY7-8019-000		1	KEYTOP (#684)	*	...DEF...KLM.OP.....
C-16	NY7-8019-000		1	KEYTOP (#684)	*	...DEF...KLM.OP.....
C-17	NY7-8019-000		1	KEYTOP (#684)	*	...DEF...KLM.OP.....
C-19	NY7-8019-000		1	KEYTOP (#684)	*	...DEF...KLM.OP.....
C-20	NY7-8019-000		1	KEYTOP (#684)	*	...DEF...KLM.OP.....
C-8	NY7-8020-000		1	KEYTOP SHIFT	*	ABC...GHIJ...N..QR.....
C-11	NY7-8020-000		1	KEYTOP SHIFT	*	ABC...GHIJ...N..QR.....
C-12	NY7-8020-000		1	KEYTOP SHIFT	*	ABC...GHIJ...N..QR.....
C-13	NY7-8020-000		1	KEYTOP SHIFT	*	ABC...GHIJ...N..QR.....
C-14	NY7-8020-000		1	KEYTOP SHIFT	*	ABC...GHIJ...N..QR.....

F. NUMERICAL INDEX
[COUNTRY CODE AS SHOWN BELOW]

COUNTRY CODE:

A: USA/CANADA E: LATIN(115V) I: SWEDEN/FINLAND M: FRANCE Q: S.AFRICA
B: ASIA F: LATIN(230V) J: NETHERLANDS N: U.K. R: JAPAN
C: OCEANIA G: NORWAY K: W.GERMANY O: SPAIN
D: QUEBEC H: DENMARK L: SWITZERLAND P: ITALY

FIGURE & KEY NO.	PART NUMBER	RANK	Q'TY	DESCRIPTION	REMARKS	COUNTRY CODE ABCDEFGHIJKLMNOPQR.....
C-1 R 57	VR1-1143-103		1	RESISTOR 10K OHM 1/4W		A..D.....R.....
C-1 R101	VR1-1143-103		1	RESISTOR 10K OHM 1/4W		A..D.....R.....
C-1 R102	VR1-1143-103		1	RESISTOR 10K OHM 1/4W		A..D.....R.....
C-1 R103	VR1-1143-103		1	RESISTOR 10K OHM 1/4W		A..D.....R.....
C-1 R104	VR1-1143-103		1	RESISTOR 10K OHM 1/4W		A..D.....R.....
C-1 R105	VR1-1143-103		1	RESISTOR 10K OHM 1/4W		A..D.....R.....
C-1 R 9	VR1-1143-105		1	RESISTOR 1M OHM 1/4W	*	ABCDEFGHIJKLMNOPQR.....
C-1 R 45	VR1-1143-106		1	RESISTOR 10M OHM 1/4W	*	A..D.....R.....
C-1 R 46	VR1-1143-106		1	RESISTOR 10M OHM 1/4W	*	A..D.....R.....
C-1 R 56	VR1-1143-200		1	RESISTOR 20 OHM 1/4W		.BC.EFGHIJKLMNQP.....
C-3 R 27	VR1-1143-220		1	RESISTOR 22 OHM 1/4W	*	A.....
C-1 R106	VR1-1143-221		1	RESISTOR 220 OHM 1/4W		A..D.....R.....
C-3 R 25	VR1-1143-223		1	RESISTOR 22K OHM 1/4W	*	A.....
C-3 R 6	VR1-1143-270		1	RESISTOR 27 OHM 1/4W	*	A.....
C-3 R 24	VR1-1143-272		1	RESISTOR 2.7K OHM 1/4W	*	A.....
C-3 R 14	VR1-1143-330		1	RESISTOR 33 OHM 1/4W	*	A.....
C-1 R 4	VR1-1143-331		1	RESISTOR 330 OHM 1/4W		.BC.EFGHIJKLMNQP.....
C-3 R 21	VR1-1143-331		1	RESISTOR 330 OHM 1/4W	*	A.....
C-1 R 1	VR1-1143-332		1	RESISTOR 3.3K OHM 1/4W	*	.BC.EFGHIJKLMNQP.....
C-1 R 27	VR1-1143-332		1	RESISTOR 3.3K OHM 1/4W	*	ABCDEFGHIJKLMNOPQR.....
C-1 R 54	VR1-1143-332		1	RESISTOR 3.3K OHM 1/4W	*	ABCDEFGHIJKLMNOPQR.....
C-1 R 55	VR1-1143-332		1	RESISTOR 3.3K OHM 1/4W	*	A..D.....R.....
C-1 R100	VR1-1143-332		1	RESISTOR 3.3K OHM 1/4W	*	A..D.....R.....
C-1 R 52	VR1-1143-335		1	RESISTOR 3.3M OHM 1/4W	*	ABCDEFGHIJKLMNOPQR.....
C-1 R 6	VR1-1143-470		1	RESISTOR 47 OHM 1/4W		.BC.EFGHIJKLMNQP.....
C-3 R 22	VR1-1143-471		1	RESISTOR 470 OHM 1/4W	*	A.....
C-1 R100	VR1-1143-472		1	RESISTOR 4.7K OHM 1/4W		.BC.EFGHIJKLMNQP.....
C-1 R102	VR1-1143-472		1	RESISTOR 4.7K OHM 1/4W		.BC.EFGHIJKLMNQP.....
C-3 R 23	VR1-1143-472		1	RESISTOR 4.7K OHM 1/4W	*	A.....
C-1 R 1	VR1-1143-473		1	RESISTOR 47K OHM 1/4W	*	A..D.....R.....
C-1 R 2	VR1-1143-473		1	RESISTOR 47K OHM 1/4W	*	ABCDEFGHIJKLMNOPQR.....
C-1 R 34	VR1-1143-473		1	RESISTOR 47K OHM 1/4W	*	A..D.....R.....
C-1 R 35	VR1-1143-473		1	RESISTOR 47K OHM 1/4W	*	A..D.....R.....
C-1 R 53	VR1-1143-475		1	RESISTOR 4.7M OHM 1/4W	*	ABCDEFGHIJKLMNOPQR.....
C-3 R 19	VR1-1143-560		1	RESISTOR 56 OHM 1/4W	*	A.....
C-3 R 18	VR1-1143-561		1	RESISTOR 560 OHM 1/4W	*	A.....
C-3 R 13	VR1-1143-569		1	RESISTOR 5.6 OHM 1/4W	*	A.....
C-3 R 7	VR1-1143-680		1	RESISTOR 68 OHM 1/4W	*	A.....
C-3 R 20	VR1-1143-680		1	RESISTOR 68 OHM 1/4W	*	A.....
C-3 R 26	VR1-1143-683		1	RESISTOR 68K OHM 1/4W	*	A.....
C-3 R 17	VR1-1143-829		1	RESISTOR 8.2 OHM 1/4W	*	A.....
C-1 R 28	VR5-0040-223		1	METAL RESISTOR 22K OHM 1/4W	*	A..D.....R.....
C-1 R 39	VR5-0040-223		1	METAL RESISTOR 22K OHM 1/4W	*	A..D.....R.....
C-1 R 42	VR5-0040-223		1	METAL RESISTOR 22K OHM 1/4W	*	A..D.....R.....
C-1 R 43	VR5-0040-223		1	METAL RESISTOR 22K OHM 1/4W	*	A..D.....R.....
C-1 R 5	VR5-0041-001		1	METAL RESISTOR 1K OHM 1/4W	*	A..D.....R.....
C-1 R 29	VR5-0041-102		1	METAL RESISTOR 11K OHM 1/4W	*	A..D.....R.....
C-1 R 30	VR5-0041-102		1	METAL RESISTOR 11K OHM 1/4W	*	A..D.....R.....
C-1 R 44	VR5-0041-102		1	METAL RESISTOR 11K OHM 1/4W	*	A..D.....R.....
C-1 R200	VR5-0041-102		1	METAL RESISTOR 11K OHM 1/4W	*	A..D.....R.....
C-1 R 31	VR5-0041-692		1	METAL RESISTOR 16.9K OHM 1/4W	*	A..D.....R.....
C-1 R 32	VR5-0041-912		1	METAL RESISTOR 19.1K OHM 1/4W	*	A..D.....R.....
C-1 R 51	VR5-0042-802		1	METAL RESISTOR 28K OHM 1/4W	*	ABCDEFGHIJKLMNOPQR.....
C-1 R 4	VR5-0043-300		1	METAL RESISTOR 330 OHM 1/4W		A..D.....R.....
C-1 R 40	VR5-0043-322		1	METAL RESISTOR 33.2K OHM 1/4W		A..D.....R.....

F. NUMERICAL INDEX
[COUNTRY CODE AS SHOWN BELOW]

COUNTRY CODE:

A: USA/CANADA E: LATIN(115V) I: SWEDEN/FINLAND M: FRANCE Q: S.AFRICA
 B: ASIA F: LATIN(230V) J: NETHERLANDS N: U.K. R: JAPAN
 C: OCEANIA G: NORWAY K: W.GERMANY O: SPAIN
 D: QUEBEC H: DENMARK L: SWITZERLAND P: ITALY

FIGURE & KEY NO.	PART NUMBER	RANK	Q'TY	DESCRIPTION	REMARKS	COUNTRY CODE
						ABCDEFGHIJKLMNOPQR.....
C-1 R 33	VR5-0043-402		1	METAL RESISTOR 34K OHM 1/4W		A..D.....R.....
C-1 R201	VR5-0044-222		1	METAL RESISTOR 42.2K OHM 1/4W		A..D.....R.....
C-1 R 6	VR5-0044-709		1	METAL RESISTOR 47 OHM 1/4W		A..D.....R.....
C-1 R 38	VR5-0044-750		1	METAL RESISTOR 475 OHM 1/4W	*	A..D.....R.....
C-1 R 50	VR5-0048-062		1	METAL RESISTOR 80.6K OHM 1/4W	*	ABCDEFGHIJKLMNOPQR.....
C-1 RA 6	VR5-0410-102		1	RESISTOR ARRAY 1K OHM 1/8WX7	*	ABCEEFGHIJKLMNOPQR.....
C-1 RA 7	VR5-0410-102		1	RESISTOR ARRAY 1K OHM 1/8WX7	*	ABCEEFGHIJKLMNOPQR.....
C-1 RA 8	VR5-0410-102		1	RESISTOR ARRAY 1K OHM 1/8WX7	*	ABCEEFGHIJKLMNOPQR.....
C-1 RA 1	VR5-0410-332		1	RESISTOR ARRAY 3.3K OHM 1/8WX7	*	ABCDEFGHIJKLMNOPQR.....
C-1 RA 9	VR5-0410-472		1	METAL RESISTOR 4.7K OHM 1/4W	*	ABCDEFGHIJKLMNOPQR.....
C-1 RA 2	VR5-0580-101		1	RESISTOR ARRAY 100 OHM 1/8WX4		.BC.EFGHIJKLMNOQ.....
C-1 RA 3	VR5-0580-101		1	RESISTOR ARRAY 100 OHM 1/8WX4		.BC.EFGHIJKLMNOQ.....
C-1 RA 4	VR5-0580-101		1	RESISTOR ARRAY 100 OHM 1/8WX4		.BC.EFGHIJKLMNOQ.....
C-1 RA 5	VR5-0580-101		1	RESISTOR ARRAY 100 OHM 1/8WX4		.BC.EFGHIJKLMNOQ.....
C-1 RA 11	VR5-0580-221		1	RESISTOR ARRAY 220 OHM 1/8W X4		A..D.....R.....
C-1 RA 12	VR5-0580-221		1	RESISTOR ARRAY 220 OHM 1/8W X4		A..D.....R.....
C-1 RA 13	VR5-0580-221		1	RESISTOR ARRAY 220 OHM 1/8W X4		A..D.....R.....
C-1 RA 14	VR5-0580-221		1	RESISTOR ARRAY 220 OHM 1/8W X4		A..D.....R.....
C-1 R 36	VR5-2950-100		1	METAL OXIDE RES. 10 OHM 1/2W	*	A..D.....R.....
C-1 R 37	VR5-2950-100		1	METAL OXIDE RES. 10 OHM 1/2W	*	A..D.....R.....
C-1 CN 1	VS1-0025-009		1	PIN CONNECTOR 9PIN		ABCDEFGHIJKLMNOPQR.....
C-1 CN 3	VS1-0706-020		1	CONNECTOR 20PIN	*	ABCDEFGHIJKLMNOPQR.....
C-1 CN 4	VS1-0714-020		1	CONNECTOR 20PIN	*	ABCDEFGHIJKLMNOPQR.....
C-1 CN 5	VS1-0727-025		1	CONNECTOR 25PIN	*	.BC.EFGHIJKLMNOQ.....
C-1 CN 2	VS1-0765-036		1	CONNECTOR 36PIN	*	ABCDEFGHIJKLMNOPQR.....
C-1 CN 5	VS1-0823-025		1	CONNECTOR 25PIN		A.....R.....
C-1 D 1	WA1-0068-000		1	DIODE 1S2075K	*	ABCDEFGHIJKLMNOPQR.....
C-1 D 2	WA1-0068-000		1	DIODE 1S2075K	*	ABCDEFGHIJKLMNOPQR.....
C-1 D 3	WA1-0068-000		1	DIODE 1S2075K	*	ABCDEFGHIJKLMNOPQR.....
C-1 D 4	WA1-0068-000		1	DIODE 1S2075K	*	ABCDEFGHIJKLMNOPQR.....
C-1 D 5	WA1-0068-000		1	DIODE 1S2075K	*	ABCDEFGHIJKLMNOPQR.....
C-1 D 6	WA1-0068-000		1	DIODE 1S2075K	*	ABCDEFGHIJKLMNOPQR.....
C-1 D 11	WA1-0068-000		1	DIODE 1S2075K	*	ABCDEFGHIJKLMNOPQR.....
C-7	WA1-0068-000		59	DIODE 1S2075		ABCD.....R.....
C-7	WA1-0068-000		61	DIODE 1S2075	EFGHIJKLMNOQ.....
C-1 ZD 2	WA1-0088-000		1	ZENER DIODE HZ15-2		A..D.....R.....
C-1 ZD 3	WA1-0088-000		1	ZENER DIODE HZ15-2		A..D.....R.....
C-3 D 1	WA1-0283-000		1	DIODE V19B	*	A.....R.....
C-1 D 10	WA1-0444-000		1	DIODE EK03		.BC.EFGHIJKLMNOQ.....
C-1 ZD 1	WA1-0503-000		1	ZENER DIODE HZ38LL	*	ABCDEFGHIJKLMNOPQR.....
C-1 D 7	WA1-0630-000		1	DIODE EMO1Z		A..D.....R.....
C-1 D 8	WA1-0630-000		1	DIODE EMO1Z		A..D.....R.....
C-3 Q 3	WA2-0093-000		1	TRANSISTOR 2SB561	*	A.....R.....
C-1 Q 2	WA2-0796-000		1	TRANSISTOR RN1201	*	A..D.....R.....
C-1 Q 3	WA2-0796-000		1	TRANSISTOR RN1201	*	A..D.....R.....
C-1 Q 4	WA2-0796-000		1	TRANSISTOR RN1201	*	ABCDEFGHIJKLMNOPQR.....
C-1 Q 1	WA2-0876-000		1	TRANSISTOR RN2201		.BC.EFGHIJKLMNOQ.....
C-1 Q 1	WA2-0882-000		1	TRANSISTOR RN2206		A..D.....R.....
C-1 IC100	WA3-0137-000		1	TTL IC SN74LS74A		A..D.....R.....
C-1 IC 44	WA3-0343-000		1	TTL IC 74LS38N		.BC.EFGHIJKLMNOQ.....
C-1 IC 46	WA3-0343-000		1	TTL IC 74LS38N		.BC.EFGHIJKLMNOQ.....
C-1 IC 12	WA3-0434-000		1	TTL IC SN74128N		ABCDEFGHIJKLMNOPQR.....
C-1 IC 45	WA3-0881-000		1	TTL IC HD74LS14P		.BC.EFGHIJKLMNOQ.....
C-1 IC 10	WA3-0894-000		1	TTL IC HD74LS05P	*	ABCDEFGHIJKLMNOPQR.....
C-1 IC 32	WA3-0894-000		1	TTL IC HD74LS05P	*	ABCDEFGHIJKLMNOPQR.....

F. NUMERICAL INDEX
 [COUNTRY CODE AS SHOWN BELOW]

COUNTRY CODE:

A: USA/CANADA E: LATIN(115V) I: SWEDEN/FINLAND M: FRANCE Q: S.AFRICA
 B: ASIA F: LATIN(230V) J: NETHERLANDS N: U.K. R: JAPAN
 C: OCEANIA G: NORWAY K: W.GERMANY O: SPAIN
 D: QUEBEC H: DENMARK L: SWITZERLAND P: ITALY

FIGURE & KEY NO.	PART NUMBER	RANK	Q'TY	DESCRIPTION	REMARKS	COUNTRY CODE
						ABCDEFGHIJKLMNOPQR.....
C-1 IC 33	WA3-1197-000		1	TTL IC HD74LS132P		ABCDEFGHIJKLMNOPQR.....
C-1 IC 1	WA3-1847-000		1	MOS LSI MC68000P8(CPU)	*	ABCDEFGHIJKLMNOPQR.....
C-1 IC 22	WA3-3023-000		8	MOS LSI MB81464-15 (RAM)		A..D.....R.....
s						
C-1 IC 29						
C-1 IC 34	WA3-3048-000		1	MOS LSI MC68681(DUART)	*	ABCDEFGHIJKLMNOPQR.....
C-1 IC 11	WA3-3177-000		1	MOS LSI UPD4364C-15LL (RAM)		ABCDEFGHIJKLMNOPQR.....
C-1 IC 42	WA4-0320-000		1	IC UPC7905H	*	ABCDEFGHIJKLMNOPQR.....
C-1 IC 43	WA4-0626-000		1	IC MB3771-M	*	ABCDEFGHIJKLMNOPQR.....
C-1 IC 35	WA4-0722-000		1	IC UA1488PC	*	ABCDEFGHIJKLMNOPQR.....
C-1 IC 36	WA4-0723-000		1	IC UA1489APC	*	ABCDEFGHIJKLMNOPQR.....
C-1 IC 38	WA4-0769-000		1	MOS LSI S35212A	*	A..D.....R.....
C-1 IC 37	WA4-0770-000		1	MOS LSI S35213	*	A..D.....R.....
C-1 IC 40	WA4-0771-000		1	MOS LSI S2579	*	A..D.....R.....
C-1 IC 39	WA4-0808-000		1	IC MPC 4558C		A..D.....R.....
C-1 SVZ 1	WA8-0038-000		1	VARISTOR VR-61SS	*	A..D.....R.....
C-1 VZ 2	WA8-0040-000		1	VARISTOR SNR-14P470K	*	A..D.....R.....
C-1 RAV	WA8-0129-000		1	SURGE ABSORBER RAV-361LD		A..D.....R.....
C-1 C 3	WA8-0135-000		10	VARISTOR MFC 125AX333M		A..D.....R.....
s						
C-1 C 12						
C-1 C 14	WA8-0135-000		1	VARISTOR MFC 125AX333M		A..D.....R.....
C-1 C 15	WA8-0135-000		1	VARISTOR MFC 125AX333M		A..D.....R.....
C-1 C 19	WA8-0135-000		1	VARISTOR MFC 125AX333M		A..D.....R.....
C-1 C 20	WA8-0135-000		1	VARISTOR MFC 125AX333M		A..D.....R.....
C-1 C 21	WA8-0135-000		1	VARISTOR MFC 125AX333M		A..D.....R.....
C-1 C 23	WA8-0135-000		1	VARISTOR MFC 125AX333M		A..D.....R.....
C-1 C 24	WA8-0135-000		1	VARISTOR MFC 125AX333M		A..D.....R.....
C-1 C 25	WA8-0135-000		1	VARISTOR MFC 125AX333M		A..D.....R.....
C-1 C 27	WA8-0135-000		1	VARISTOR MFC 125AX333M		A..D.....R.....
C-1 C 28	WA8-0135-000		1	VARISTOR MFC 125AX333M		A..D.....R.....
C-1 C 29	WA8-0135-000		1	VARISTOR MFC 125AX333M		A..D.....R.....
C-1 C 31	WA8-0135-000		7	VARISTOR MFC 125AX333M		A..D.....R.....
s						
C-1 C 37						
C-1 C 41	WA8-0135-000		10	VARISTOR MFC 125AX333M		A..D.....R.....
s						
C-1 C 50						
C-1 C 60	WA8-0135-000		1	VARISTOR MFC 125AX333M		A..D.....R.....
C-1 C 62	WA8-0135-000		6	VARISTOR MFC 125AX333M		A..D.....R.....
s						
C-1 C 67						
C-1 C 81	WA8-0135-000		1	VARISTOR MFC 125AX333M		A..D.....R.....
C-1 C 91	WA8-0135-000		1	VARISTOR MFC 125AX333M		A..D.....R.....
C-1 C107	WA8-0135-000		1	VARISTOR MFC 125AX333M		A..D.....R.....
C-1 C108	WA8-0135-000		1	VARISTOR MFC 125AX333M		A..D.....R.....
C-1 IC 2	WA9-0058-000		1	IC SOCKET 28PIN	*	ABCDEFGHIJKLMNOPQR.....
C-1 IC 3	WA9-0058-000		1	IC SOCKET 28PIN	*	A..D.....R.....
C-1 IC 4	WA9-0058-000		1	IC SOCKET 28PIN	*	ABCDEFGHIJKLMNOPQR.....
C-1 IC 5	WA9-0058-000		1	IC SOCKET 28PIN	*	A..D.....R.....
C-1 IC 6	WA9-0058-000		1	IC SOCKET 28PIN	*	.BC.EFGHIJKLMNQP.....
C-1 IC 7	WA9-0058-000		1	IC SOCKET 28PIN	*	.BC.EFGHIJKLMNQP.....
C-1 IC 8	WA9-0058-000		1	IC SOCKET 28PIN	*	.BC.EFGHIJKLMNQP.....
C-1 IC 9	WA9-0062-000		1	IC SOCKET 20PIN		.BC.EFGHIJKLMNQP.....
C-1 IC 14	WA9-0067-000		1	IC SOCKET 8P		.BC.EFGHIJKLMNQP.....

Jef Raskin Document # 062 -- Canon Cat Computer Repair Manual

F. NUMERICAL INDEX
[COUNTRY CODE AS SHOWN BELOW]

COUNTRY CODE:

A: USA/CANADA E: LATIN(115V) I: SWEDEN/FINLAND M: FRANCE Q: S.AFRICA
B: ASIA F: LATIN(230V) J: NETHERLANDS N: U.K. R: JAPAN
C: OCEANIA G: NORWAY K: W.GERMANY O: SPAIN
D: QUEBEC H: DENMARK L: SWITZERLAND P: ITALY

FIGURE & KEY NO.	PART NUMBER	RANK	Q'TY	DESCRIPTION	REMARKS	COUNTRY CODE
						ABCDEFGHIJKLMNOPQR.....
C-1 IC 15	WA9-0067-000		1	IC SOCKET 8P		.BC.EFGHIJKLMNQP.....
C-1 IC 16	WA9-0067-000		1	IC SOCKET 8P		.BC.EFGHIJKLMNQP.....
C-1 IC 17	WA9-0067-000		1	IC SOCKET 8P		.BC.EFGHIJKLMNQP.....
C-1 IC 18	WA9-0067-000		1	IC SOCKET 8P		ABCDEFGHIJKLMNQP.....
C-1 IC 19	WA9-0067-000		1	IC SOCKET 8P		ABCDEFGHIJKLMNQP.....
C-1 IC 20	WA9-0067-000		1	IC SOCKET 8P		ABCDEFGHIJKLMNQP.....
C-1 IC 21	WA9-0067-000		1	IC SOCKET 8P		ABCDEFGHIJKLMNQP.....
C-1 K 1	WB1-0135-000		1	RELAY 66E-134P-US	*	A..D.....R.....
C-1 K 2	WB1-0135-000		1	RELAY 66E-134P-US	*	A..D.....R.....
C-1 SW 1	WC3-0078-000		1	SLIDE SWITCH		ABCDEFGHIJKLMNQP.....
C-1 SW 2	WC8-0114-000		1	PUSH SWITCH, SPJ312TE1S		ABCDEFGHIJKLMNQP.....
C-1 T 1	WE1-0028-000		1	POWER TRANSFORMER	*	A..D.....R.....
C-1 L 1	WE2-0068-000		1	CHOKE COIL 1UH		ABCDEFGHIJKLMNQP.....
C-1 L 2	WE2-0068-000		1	CHOKE COIL 1UH		.BC.EFGHIJKLMNQP.....
C-1 L 3	WE2-0068-000		1	CHOKE COIL 1UH		.BC.EFGHIJKLMNQP.....
C-1 L 4	WE2-0068-000		1	CHOKE COIL 1UH		ABCDEFGHIJKLMNQP.....
C-1 FB 1	WE8-0012-000		23	DATA LINE FILTER		.BC.EFGHIJKLMNQP.....
S						
C-1 FB 23						
C-1 FB 25	WE8-0012-000		1	DATA LINE FILTER		.BC.EFGHIJKLMNQP.....
C-1 FB 26	WE8-0012-000		1	DATA LINE FILTER		.BC.EFGHIJKLMNQP.....
C-1 FB 1	WE8-0060-000		15	FERRITE BEAD		A..D.....R.....
S						
C-1 FB 15						
C-1 FB 17	WE8-0060-000		8	FERRITE BEAD		A..D.....R.....
S						
C-1 FB 25						
C-1 L 2	WE8-0060-000		1	FERRITE BEAD		A..D.....R.....
C-1 L 3	WE8-0060-000		1	FERRITE BEAD		A..D.....R.....
C-1 L 5	WE8-0060-000		1	FERRITE BEAD		A..D.....R.....
C-1 LC 1	WE8-0060-000		1	FERRITE BEAD		A..D.....R.....
C-1 LC 2	WE8-0060-000		1	FERRITE BEAD		A..D.....R.....
C-1 LC 3	WE8-0060-000		1	FERRITE BEAD		A..D.....R.....
C-1 PC 1	WC8-0150-000		1	RING DETECTOR PC733H	*	A..D.....R.....
B 17	WK1-0013-000	X	1	LITHIUM BATTERY CR-2032		ABCDEFGHIJKLMNQP.....
C-1 X 4	WK2-0008-000		1	CRYSTAL OSC. 3579.545KHZ		A..D.....R.....
C-1 X 1	WK2-0358-000		1	CRYSTAL OSCILLATOR 19.968MHZ	*	ABCDEFGHIJKLMNQP.....
C-1 X 2	WK2-0359-000		1	CRYSTAL OSCILLATOR 3.6864MHZ	*	.BC.EFGHIJKLMNQP.....
C-1 X 3	WK2-0360-000		1	CRYSTAL OSCILLATOR 2.4576MHZ	*	A..D.....R.....
C-1 BZ	WR1-0039-000		1	BUZZER PKM24-4A0		.BC.EFGHIJKLMNQP.....
C-1 BZ	WR1-0049-000		1	BUZZER, CB 20PA		A..D.....R.....
C-1 CN 6	WS8-0025-000		1	CONNECTOR 6PIN (MODULAR JACK)	*	A..D.....R.....
C-1 CN 7	WS8-0025-000		1	CONNECTOR 6PIN (MODULAR JACK)	*	A..D.....R.....
B 18	WT3-0027-000		1	POWER SUPPLY CORD 120V		A..D.....R.....
B 18	WT3-0028-000		1	POWER SUPPLY CORD 230V	GHIJKLM.OPQ.....
B 18	WT3-0029-000		1	POWER SUPPLY CORD 240V		..C.....
B 18	WT3-0030-000		1	POWER SUPPLY CORD 100,115V		.B..EF.....R.....
B 18	WT3-9064-000		1	POWER SUPPLY CORD 240V	N.....
C-3 Q 1	X65-6177-000		1	TRANSISTOR 2SC1213A	*	A.....
C-6 18	XA1-1200-207		1	SCREW, PH M2X2	*	ABCDEFGHIJKLMNQP.....
C-6 22	XA1-6250-357		2	SCREW, PH M2.5X3.5	*	ABCDEFGHIJKLMNQP.....
C-6 20	XA1-7170-187		4	SCREW, PH M1.7X1.8	*	ABCDEFGHIJKLMNQP.....
C-6 21	XA1-7250-807		1	SCREW, PH M2.5X8	*	ABCDEFGHIJKLMNQP.....
C-6 19	XA4-6260-507		6	SCREW, PH M2.6X5	*	ABCDEFGHIJKLMNQP.....



Canon

PRINTED IN JAPAN (IMPRIME AU JAPON)

CANON INC.

"RaskinDoc062_Z-00.PICT" 232 KB 2000-02-25 dpi: 500h x 500v pix: 2113h x 3703v