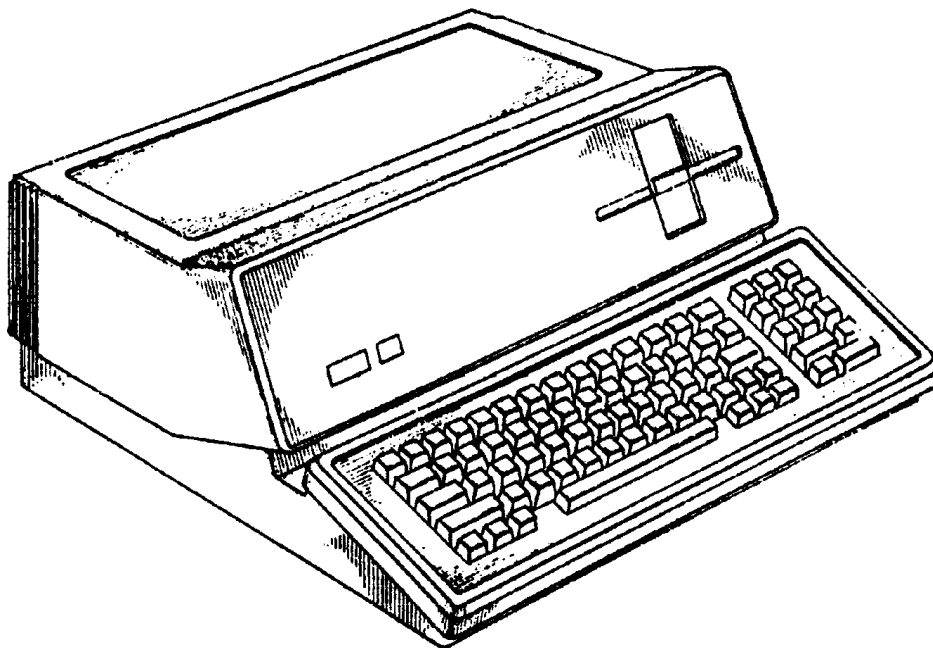




Apple /// Computer Information



DESIGN PATENT

Patent # 273,295 -- Profile Hard Drive

ADDED BY DAVID T CRAIG • 2006

United States Patent [19]

Stewart

[11] **Des. 273,295**

[45] **** Apr. 3, 1984**

[54] **HARD DISK DRIVE**

[75] **Inventor:** James R. Stewart, San Jose, Calif.

[73] **Assignee:** Apple Computer, Inc., Cupertino, Calif.

[**] **Term:** 14 Years

[21] **Appl. No.:** 322,922

[22] **Filed:** Nov. 19, 1981

[52] **U.S. Cl.** D14/109

[58] **Field of Search** D14/100-116;
D13/41; 361/380, 390, 394; 360/97, 98, 133;
364/900

[56] **References Cited**

U.S. PATENT DOCUMENTS

3,789,273 1/1974 O'Brien 360/97 X
3,899,794 8/1975 Brown, Jr. D14/109 X

OTHER PUBLICATIONS

North Star Computers, Inc., Catalog, 5-1980, p. 8, Hard Disk Drive.

Radio Shack TRS-80™ Microcomputer Catalog RSC-3, ©1979, p. 10, VOXBOX™ Housing.

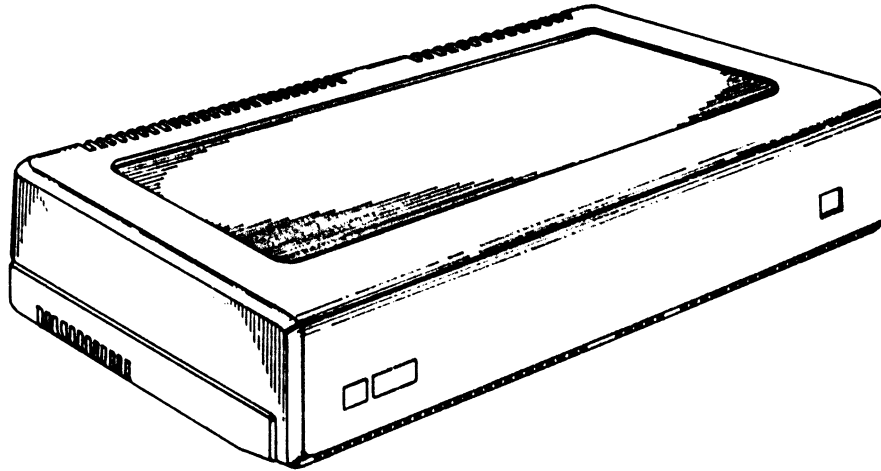
Primary Examiner—Susan J. Lucas
Attorney, Agent, or Firm—Blakely, Sokoloff, Taylor & Zafman

[57] **CLAIM**

The ornamental design for a hard disk drive, substantially as shown and described.

DESCRIPTION

FIG. 1 is a perspective view of the hard disk drive showing my new design;
FIG. 2 is a top view thereof;
FIG. 3 is a front view thereof;
FIG. 4 is a rear view thereof;
FIG. 5 is a right side view thereof; and
FIG. 6 is a left side view thereof.



Apple "ProFile" hard disk
(for Apple 3 and Lisa)

U.S. Patent

Apr. 3, 1984

Sheet 1 of 2

Des. 273,295

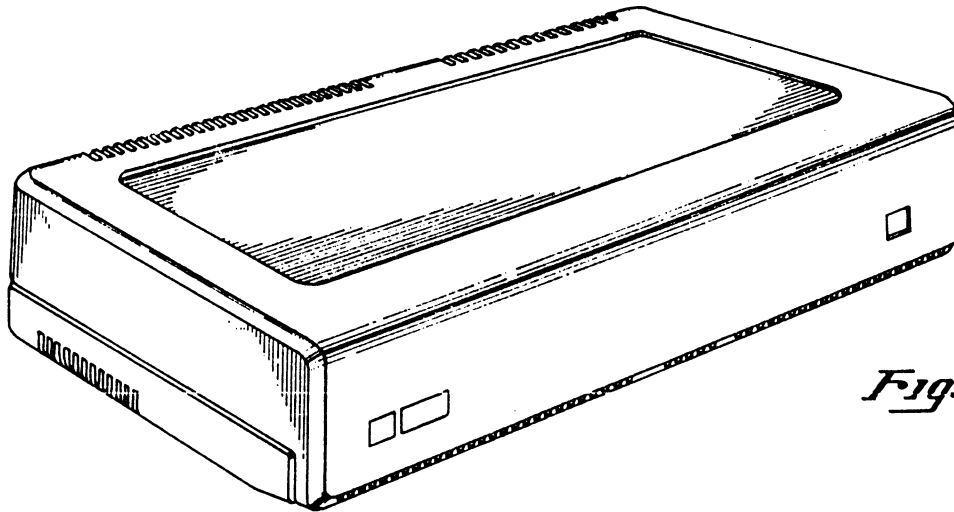


Fig. 1

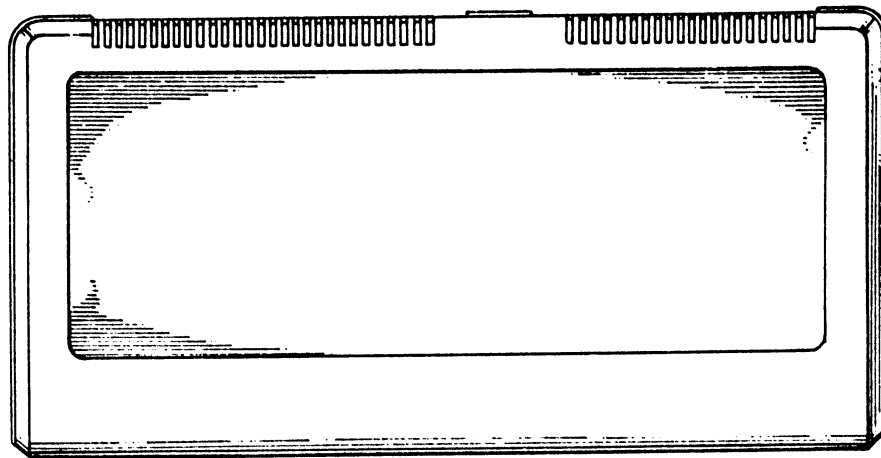


Fig. 2

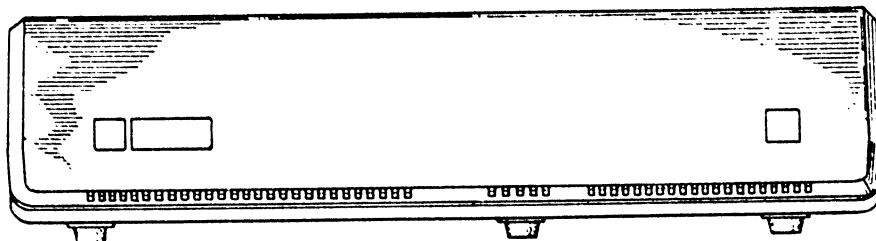


Fig. 3

U.S. Patent

Apr. 3, 1984

Sheet 2 of 2

Des. 273,295

Fig. 4

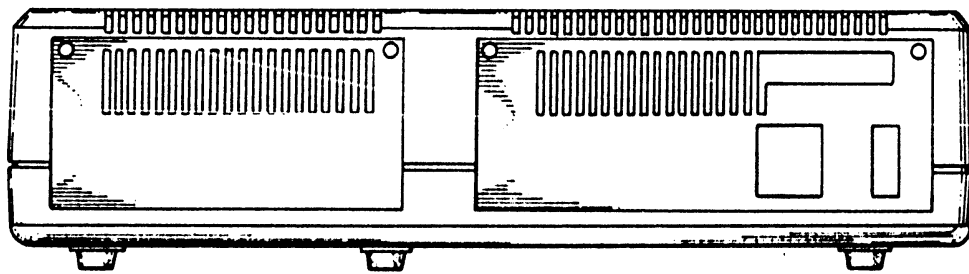


Fig. 5

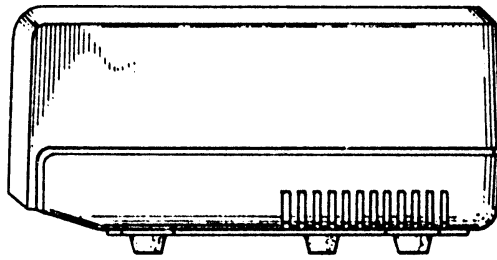


Fig. 6

