



Apple Computer Patents: Selected Patents

Compiled by
David T Craig -- 21 February 2004

United States Patent

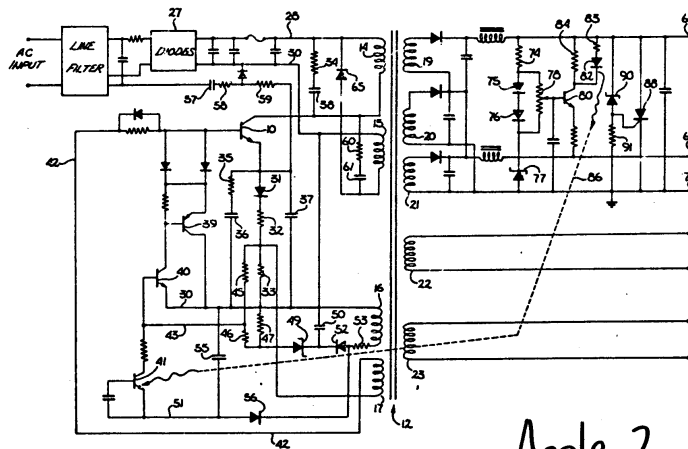
4,130,862

Dec. 19, 1978

DC POWER SUPPLY

Inventor: **Frederick R. Holt, Saratoga, Calif.**

Assignee: **Apple Computer, Inc., Cupertino, Calif.**



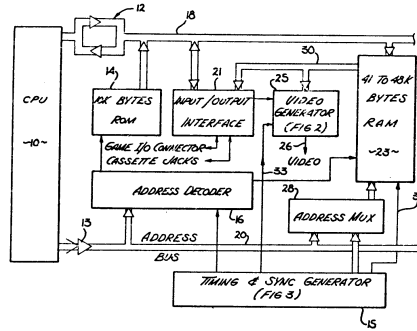
Apple 2

4,136,359

Jan. 23, 1979

MICROCOMPUTER FOR USE WITH VIDEO DISPLAY

Inventor: Stephen G. Wozniak, Cupertino, Calif.



Apple 2

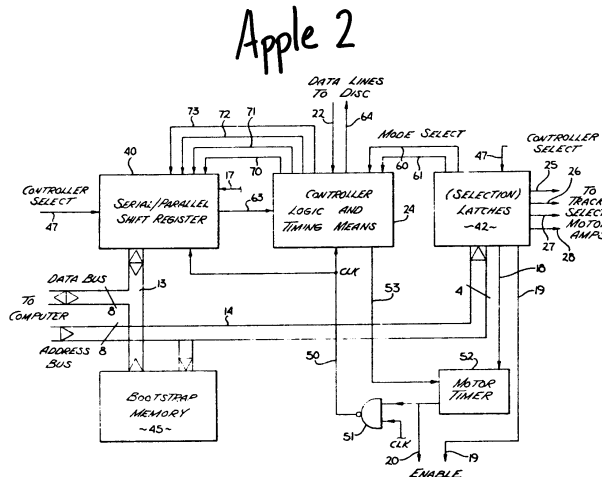
4,210,959

Jul. 1, 1980

CONTROLLER FOR MAGNETIC DISC, RECORDER, OR THE LIKE

Inventor: Stephen G. Wozniak, San Jose, Calif.

Assignee: Apple Computer, Inc., Cupertino, Calif.



Apple 2

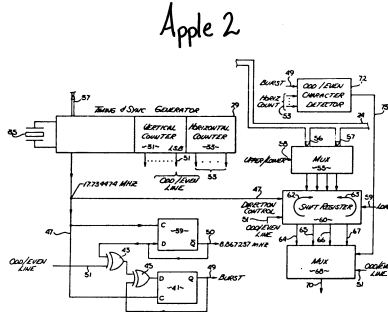
4,217,604

Aug. 12, 1980

APPARATUS FOR DIGITALLY CONTROLLING PAL COLOR DISPLAY

Inventor: Stephen G. Wozniak, San Jose, Calif.

Assignee: Apple Computer, Inc., Cupertino, Calif.



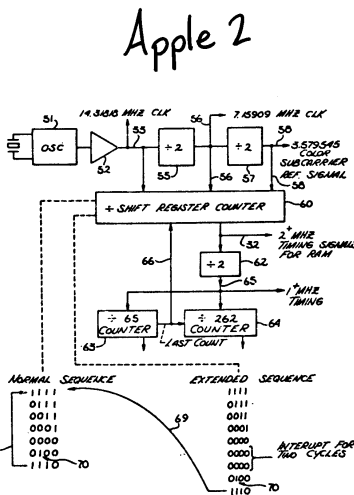
4,278,972

Jul. 14, 1981

DIGITALLY-CONTROLLED COLOR SIGNAL GENERATION MEANS FOR USE WITH DISPLAY

Inventor: Stephen G. Wozniak, Cupertino, Calif.

Assignee: Apple Computer, Inc., Cupertino, Calif.



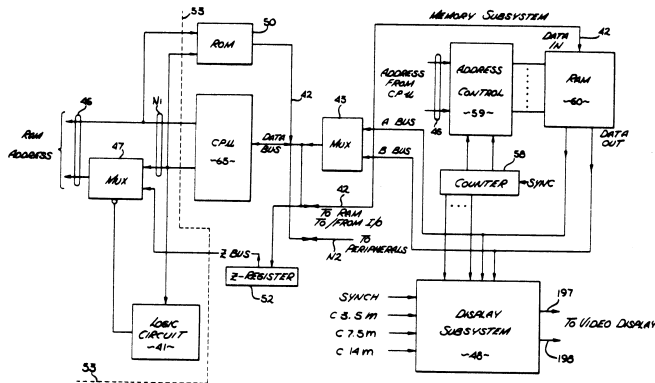
4,383,296

May 10, 1983

COMPUTER WITH A MEMORY SYSTEM FOR REMAPPING A MEMORY HAVING TWO MEMORY OUTPUT BUSES FOR HIGH RESOLUTION DISPLAY WITH SCROLLING OF THE DISPLAYED CHARACTERS

Inventor: Wendell B. Sander, San Jose, Calif.

Assignee: Apple Computer, Inc., Cupertino, Calif.



Apple III Computer

Apple III computer system diagram

APPLE III ROM INFORMATION

ROM REVISION #0

by David Craig
736 Edgewater, Wichita, Kansas 67230
1986

Sara ROM

\$F000-\$FFF 4KB

REVISION 1

Inside the Apple III ROM

SOME COMMENTS ABOUT THE APPLE /// COMPUTER BOOT ROM

David T Craig -- 27 February 2004

Apple III Emulator Ideas

SOS 1.3 Floppy Bootstrap Loader Source Code Listing



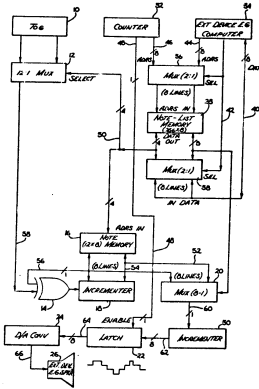
4,445,414

May 1, 1984

**DIGITAL, SIMULTANEOUS, DISCRETE
FREQUENCY GENERATOR**

Inventor: Burrell Smith, Palo Alto, Calif.

**Assignee: Apple Computer, Inc., Cupertino,
Calif.**



Macintosh

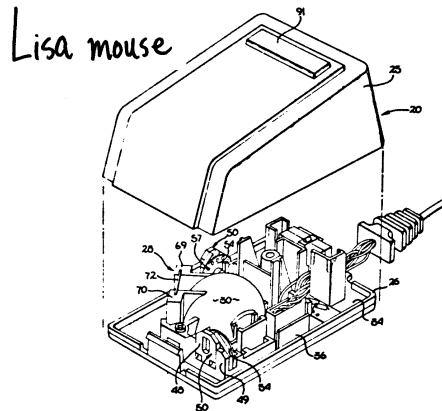
4,464,652

Aug. 7, 1984

**CURSOR CONTROL DEVICE FOR USE
WITH DISPLAY SYSTEMS**

**Inventors: William F. Lapsen, Cupertino;
William D. Atkinson, Los Gatos,
both of Calif.**

**Assignee: Apple Computer, Inc., Cupertino,
Calif.**



Lisa mouse

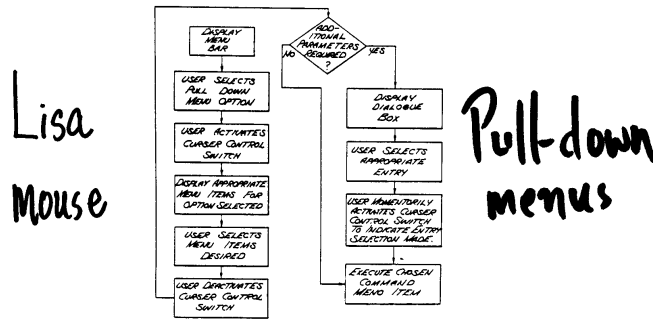
Re. 32,632

Mar. 29, 1988

DISPLAY SYSTEM

Inventor: William D. Atkinson, Los Gatos, Calif.

Assignee: Apple Computer, Inc., Cupertino, Calif.



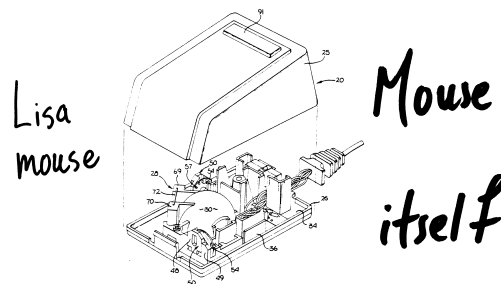
Re. 32,633

Mar. 29, 1988

CURSOR CONTROL DEVICE

Inventors: Dean Hovey, Los Altos; James Sachs, Menlo Park; James Yurchenco, Palo Alto; William Lapson, Cupertino, all of Calif.

Assignee: Apple Computer, Inc., Cupertino, Calif.



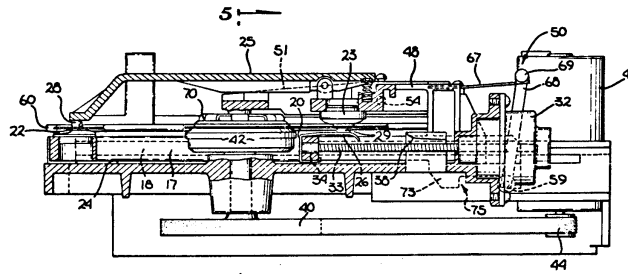
4,466,033

Aug. 14, 1984

**DISK DRIVE WITH AUTOMATIC DISC
CLAMPING AND EJECTING**

Inventors: Richard Jordan, Los Altos; William Bull, Sunnyvale; Robert L. Ciardella, Saratoga; Robert Taggart, Portola Valley; Frederick R. Holt, Cupertino, all of Calif.

Assignee: Apple Computer, Inc., Cupertino, Calif.



Lisa "Twiggy" drive (5.25" disks, 860K)

4,533,909

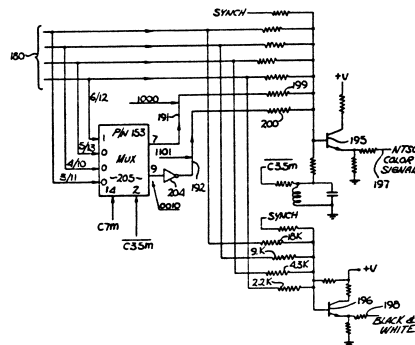
Aug. 6, 1985

COMPUTER WITH COLOR DISPLAY

Inventor: Wendell B. Sander, San Jose, Calif.

Assignee: Apple Computer, Inc., Cupertino, Calif.

Appl. No.: 560,529



Apple /// Plus Computer

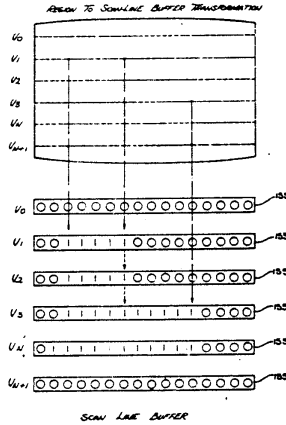
4,622,545

Nov. 11, 1986

**METHOD AND APPARATUS FOR IMAGE
COMPRESSION AND MANIPULATION**

Inventor: William D. Atkinson, Los Gatos,
Calif.

Assignee: Apple Computer, Inc., Cupertino,
Calif.



Lisa QuickDraw "Regions"

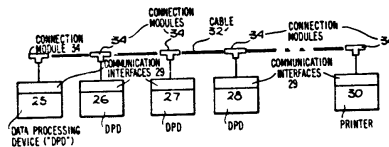
4,661,902

Apr. 28, 1987

**LOCAL AREA NETWORK WITH CARRIER
SENSE COLLISION AVOIDANCE**

Inventors: Ronald H. Hochsprung, Saratoga;
Lawrence A. Kenyon, Jr., Sunnyvale;
Alan B. Oppenheimer, Cupertino;
Gursharan S. Sidhu, Menlo Park, all
of Calif.

Assignee: Apple Computer, Inc., Cupertino,
Calif.



AppleTalk Network

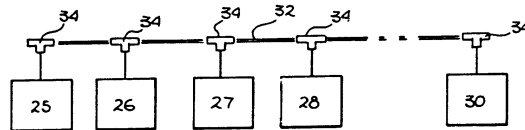
4,689,786

Aug. 25, 1987

LOCAL AREA NETWORK WITH SELF
ASSIGNED ADDRESS METHOD

Inventors: Gursharan S. Sidhu, Menlo Park;
Alan B. Oppenheimer, Cupertino;
Lawrence A. Kenyon, Jr., Sunnyvale;
Ronald R. Hochsprung, Saratoga, all
of Calif.

Assignee: Apple Computer, Inc., Cupertino,
Calif.



AppleTalk Network

4,742,448

May 3, 1988

INTEGRATED FLOPPY DISK DRIVE
CONTROLLER

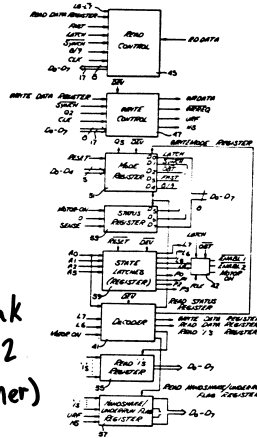
Inventors: Wendell B. Sander, Los Gatos;
Robert Bailey, San Jose, both of
Calif.

Assignee: Apple Computer, Inc., Cupertino,
Calif.

IWM chip

(Integrated
Woz *
Machine)

*Woz \equiv Steve
Wozniak
(Apple 2
designer)



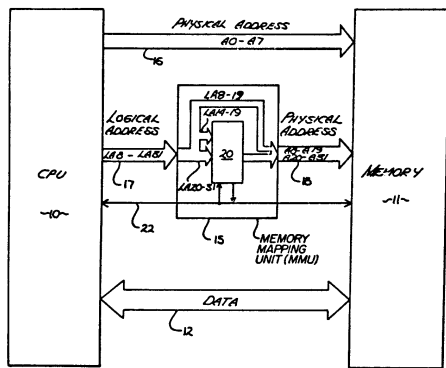
4,774,652

Sep. 27, 1988

MEMORY MAPPING UNIT FOR DECODING ADDRESS SIGNALS

Inventors: Michael J. Dhuey, Cupertino; Ronald R. Hochsprung, Saratoga, both of Calif.

Assignee: Apple Computer, Inc., Cupertino, Calif.



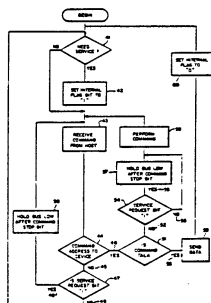
4,875,158

Oct. 17, 1989

METHOD FOR REQUESTING SERVICE BY A DEVICE WHICH GENERATES A SERVICE REQUEST SIGNAL SUCCESSIVELY UNTIL IT IS SERVICED

Inventors: Peter B. Ashkin, Los Gatos; Michael Clark, Glendale, both of Calif.

Assignee: Apple Computer, Inc., Cupertino, Calif.



Macintosh
ADB (?)
(Apple
Desktop
Bus)

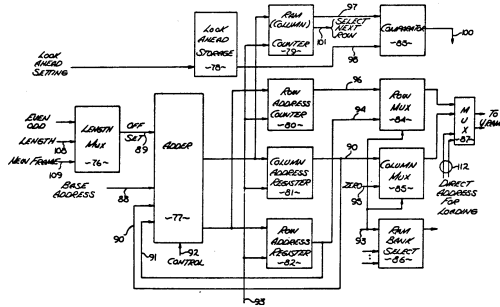
4,884,069

Nov. 28, 1989

VIDEO APPARATUS EMPLOYING VRAMS

Inventor: Tobin E. Farand, Mountain View, Calif.

Assignee: Apple Computer, Inc., Cupertino, Calif.



Macintosh 2 video board

4,910,655

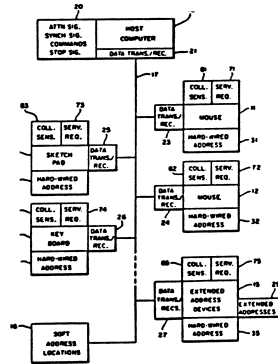
Mar. 20, 1990

APPARATUS FOR TRANSFERRING SIGNALS AND DATA UNDER THE CONTROL OF A HOST COMPUTER

Inventors: Peter B. Ashkin, Los Gatos; Michael Clark, Glendale, both of Calif.

Assignee: Apple Computer, Inc., Cupertino, Calif.

*ADB
(Apple
Desktop
Bus)*



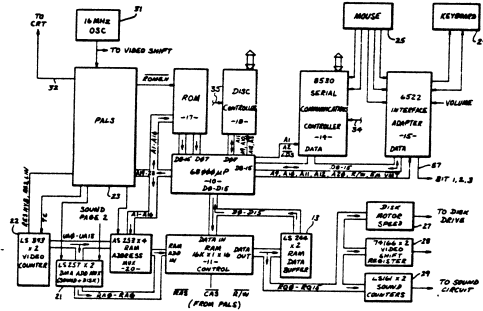
4,910,670

Mar. 20, 1990

SOUND GENERATION AND DISK SPEED CONTROL APPARATUS FOR USE WITH COMPUTER SYSTEMS

Inventors: Burrell C. Smith; Andrew J. Hertzfeld, both of Palo Alto, Calif.

Assignee: Apple Computer, Inc., Cupertino, Calif.



MACINTOSH

4,912,627

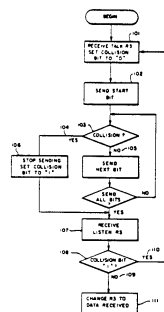
Mar. 27, 1990

METHOD FOR STORING A SECOND NUMBER AS A COMMAND ADDRESS OF A FIRST PERIPHERAL DEVICE AND A THIRD NUMBER AS A COMMAND ADDRESS OF A SECOND PERIPHERAL DEVICE

Inventors: Peter B. Ashkin, Gatos; Michael Clark, Glendale, both of Calif.

Assignee: Apple Computer, Inc., Cupertino, Calif.

ADB



APPLE
DESKTOP
BUS

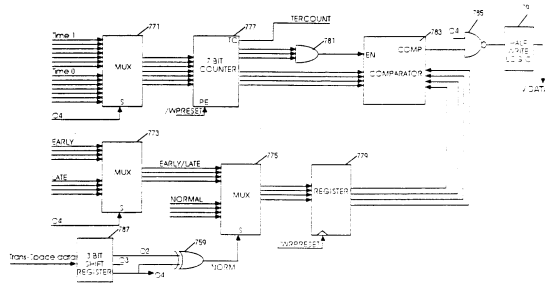
4,916,556

Apr. 10, 1990

DISK DRIVE CONTROLLER

Inventors: **Wendell Sander; Brian Sander**, both of Campbell, Calif.

Assignee: **Apple Computer, Inc.**, Cupertino, Calif.



*SWIM CHIP
SUPER WOZ/WENDELL INTEGRATED
MACHINE*

4,918,598

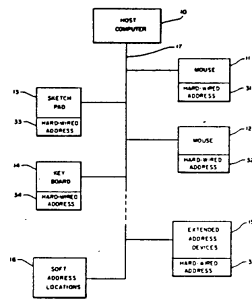
Apr. 17, 1990

METHOD FOR SELECTIVELY ACTIVATING AND DEACTIVATING DEVICES HAVING SAME FIRST ADDRESS AND DIFFERENT EXTENDED ADDRESSES

Inventors: **Peter B. Ashkin**, Los Gatos; **Michael Clark**, Glendale, both of Calif.

Assignee: **Apple Computer, Inc.**, Cupertino, Calif.

ADB



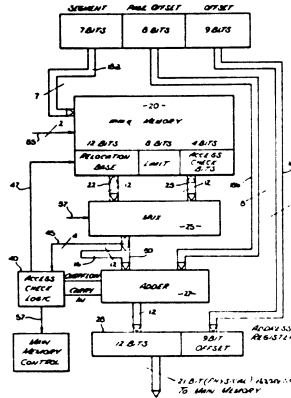
(Apple Desktop Bus)

4,926,316

May 15, 1990

MEMORY MANAGEMENT UNIT WITH OVERLAPPING CONTROL FOR ACCESSING MAIN MEMORY OF A DIGITAL COMPUTER

Inventors: Paul A. Baker, Los Altos; Gary L. Marten, Cupertino, both of Calif.
Assignee: Apple Computer, Inc., Cupertino, Calif.



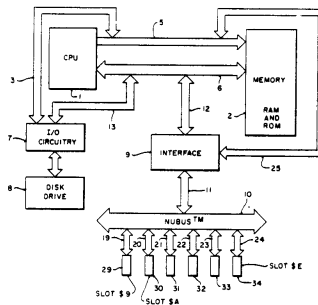
*Lisa
MMU*

4,931,923

Jun. 5, 1990

COMPUTER SYSTEM FOR AUTOMATICALLY RECONFIGURING MEMORY SPACE TO AVOID OVERLAPS OF MEMORY RESERVED FOR EXPANSION SLOTS

Inventors: Jonathan Fitch, Cupertino; Ronald Hochsprung, Saragota, both of Calif.
Assignee: Apple Computer, Inc., Cupertino, Calif.



NuBus (Macintosh 2)

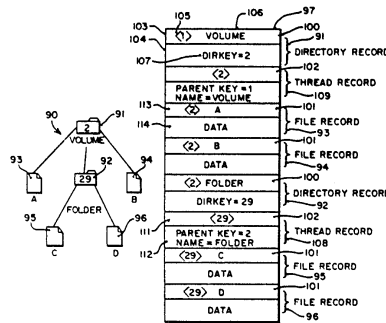
4,945,475

Jul. 31, 1990

HIERARCHICAL FILE SYSTEM TO PROVIDE CATALOGING AND RETRIEVAL OF DATA

Inventors: Bill M. Bruffey, Cupertino;
 Gurabaran S. Sidhu, Menlo Park;
 Patrick W. Dirks, Cupertino;
 Christopher R. McFall, Palo Alto, all
 of Calif.

Assignee: Apple Computer, Inc., Cupertino,
 Calif.



Macintosh HFS

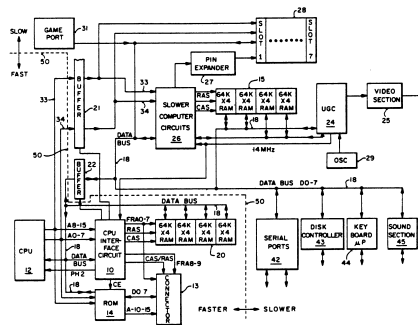
4,958,304

Sep. 18, 1990

COMPUTER WITH INTERFACE FOR FAST AND SLOW MEMORY CIRCUITS

Inventor: Robin B. Moore, Fremont, Calif.

Assignee: Apple Computer, Inc., Cupertino,
 Calif.



Apple 2gs

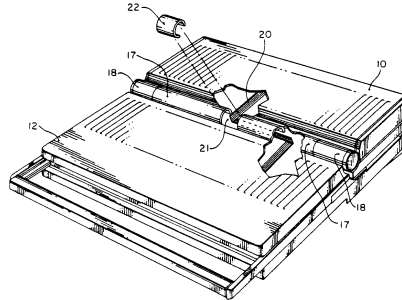
4,959,887

Oct. 2, 1990

CENTER PIVOT COVER

Inventors: Eric I. Gruenberg, Soquel; James J. Halicho, Sunnyvale; Melvin J. Phillips, Cupertino; Troy K. Hulick, San Jose, all of Calif.

Assignee: Apple Computer, Inc., Cupertino, Calif.



Macintosh Portable

THE END